

- GB** Forced draught gas burners
- E** Quemadores de gas de aire soplado
- P** Queimadores a gás com ar insuflado

Progressive two-stage operation
Funcionamiento a dos llamas progresivas
Funcionamento a duas chamas progressivo



CODE - CÓDIGO	MODEL - MODELO	TYPE - TIPO
3789010	RS 34 MZ	883 T
3789011	RS 34 MZ	883 T
3789110	RS 44 MZ	884 T
3789111	RS 44 MZ	884 T
3789140	RS 44 MZ	884 T
3789141	RS 44 MZ	884 T

DECLARATION OF CONFORMITY A.R. 8/01/2004 & 17/07/2009 – Belgium

Producer: RIELLO S.p.A.
I - 37045 Legnago (VR)
Tel. +39.0442.630111

Distributed by:

RIELLO NV
VAN MARCKE HQ
LAR Blok Z 5,
B-8511 Kortrijk (Aalbeke) BE
Tel. +32 56 23 7511
e-mail: riello@vanmarcke.be

URL. www.vanmarcke.com

This document certifies that the series of devices specified below is in compliance with the model as described in the EC Declaration of Conformity, and has been manufactured and distributed in compliance with the requirements defined in the Legislative Decree of 8 January 2004 and 17 July 2009.

Type of product: Blown type gas burners

		Model	
		883 T	884 T
Values measured *	average NOx (mg/kWh)	103	89
	max CO (mg/kWh)	7	2

* Natural gas operation (Fam. 2)

Regulation applied: EN 676 and A.R. of 8 January 2004 - 17 July 2009

Controlling organisation: TÜV SÜD Industrie Service GmbH
Ridlerstrasse, 65
80339 Munchen DEUTSCHLAND

Manufacturer's Declaration

RIELLO S.p.A. declares that the following products comply with the NOx emission limits specified by German standard "1. BImSchV reliese 26.01.2010".

Product	Type	Model	Power
Forced draught gas burners	884 T	RS 44 MZ	80 - 550 kW

- ▶ The burner **has EC marking** and conforms to the basic requisites of the following Directives:
 - EC Reg. N.: **0085BR0381** in accordance with 2016/426/EU;
 - Electromagnetic Compatibility Directive 2014/30/UE;
 - Low voltage directive 2014/35/UE;
 - Machine Directive 2006/42/EC.
- ▶ The burner meets protection level of IP 40 as EN 60529.

IDENTIFICATION

The Identification Plate on the product gives the serial number, model and main technical and performance data. If the Identification Plate is tampered with, removed or missing, the product cannot be clearly identified, thus making any installation or maintenance work potentially dangerous.

GENERAL WARNINGS

The dimension of the boiler's combustion chamber must respond to specific values, in order to guarantee a combustion with the lowest polluting emissions rate.

You are therefore advised to consult the Technical Assistance Department before choosing this type of burner for the combination with a boiler.

Qualified personnel are those with the professional and technical requirements indicated by Law no. 46 dated 5 March 1990. The commercial organisation has a widespread network of agencies and technical offices whose personnel participates periodically in instructional and refresher courses at the company training centre.

This burner must only be used for the application it was designed for.

The manufacturer cannot accept responsibility for any damage to persons, animals or property due to errors in installation or in the burner adjustment, or due to improper or unreasonable use or non-observance of the technical instructions enclosed with the burner, or due to the intervention of unqualified personnel.

USER INFORMATION

If faults arise in firing or operations, the burner performs a "safety stop", which is signalled by the red burner lock out LED. To rearm start-up conditions, press the release button. When the burner starts up again, the red LED goes out.

This operation can be repeated for a maximum of 3 times. If the "safety stop" recurs, then the Technical Assistance Centre must be contacted.

BASIC SAFETY RULES

- ▶ Children or inexpert persons must not use the appliance.
- ▶ Under no circumstances must the intake grids, dissipation grids and ventilation vents in the installation room be covered up with cloths, paper or any other material.
- ▶ Unauthorised persons must not attempt to repair the appliance
- ▶ It is dangerous to pull or twist the electric leads.
- ▶ Cleaning operations must not be performed if the appliance is not disconnected from the main power supply.
- ▶ Do not clean the burner or its parts with inflammable substances (e.g. petrol, alcohol, etc.).
The cover must be cleaned with soapy water.
- ▶ Do not place anything on the burner.
- ▶ Do not leave containers and inflammable products in the installation room.

The following symbols are used in this manual:



ATTENTION = for actions requiring special care and adequate preparation.



FORBIDDEN = for actions **THAT MUST NOT** be performed.

TECHNICAL DATA page 2

Variants2

Accessories3

Burner description4

Packaging - Weight4

Overall dimensions4

Standard equipment4

Firing rates5

Test boiler5

Commercial boilers5

Gas pressure6

INSTALLATION7

Operation position7

Boiler plate7

Blast tube length7

Securing the burner to the boiler7

Setting the combustion head8

Gas feeding line9

Adjustment prior to firing10

Servomotor10

Burner start-up10

Burner firing10

Burner calibration:11

Determination of output upon firing (minimum)11

1 - 2nd stage burner output11

2 - 1st stage burner output12

3 - Intermediate outputs12

4 - Air pressure switch13

5 - Minimum gas pressure switch13

Flame presence check13

Burner operation14

Final checks15

Maintenance15

Switchboard maintenance16

Fault - Probable cause - Suggested remedy18

Normal operation / flame detection time19

Appendix20

Electrical panel layout21

N.B.

Figures mentioned in the text are identified as follows:

- 1)(A) = part 1 of figure A, same page as text;
- 1)(A) p.4 = part 1 of figure A, page number 4.

INFORMATION ABOUT THE INSTRUCTION MANUAL

INTRODUCTION

The instruction manual supplied with the burner:

- is an integral and essential part of the product and must not be separated from it; it must therefore be kept carefully for any necessary consultation and must accompany the burner even if it is transferred to another owner or user, or to another system. If the manual is lost or damaged, another copy must be requested from the Technical Assistance Service **Riello** of the area;
- is designed for use by qualified personnel;
- offers important indications and instructions relating to the installation safety, start-up, use and maintenance of the burner.

DELIVERY OF THE SYSTEM AND THE INSTRUCTION MANUAL

When the system is delivered, it is important that:

- The instruction manual is supplied to the user by the system manufacturer, with the recommendation to keep it in the room where the heat generator is to be installed.
- The instruction manual shows:
 - the serial number of the burner;

.....

- the address and telephone number of the nearest Assistance Centre;

.....

.....

.....

- The system supplier carefully informs the user about:
 - the use of the system,
 - any further tests that may be necessary before the system is started up,
 - maintenance and the need to have the system checked at least once a year by the manufacturer or another specialised technician.
- To ensure a periodic check, **Riello** recommends the drawing up of a Maintenance Contract.

TECHNICAL DATA

MODEL		RS 34 MZ		RS 44 MZ		RS 44 MZ		
TYPE		883 T		884 T		884 T		
OUTPUT (1)	2nd stage	kW	125 - 390	203 - 550		203 - 550		
		Mcal/h	108 - 336	175 - 473		175 - 473		
	min. 1st stage	kW	45	80		80		
		Mcal/h	39	69		69		
FUEL		NATURAL GAS: G20 - G21 - G22 - G23 - G25						
		G20	G25	G20	G25	G20	G25	
- net calorific value		kWh/Sm ³	9.45	8.13	9.45	8.13	9.45	8.13
		Mcal/Sm ³	8.2	7.0	8.2	7.0	8.2	7.0
- absolute density		kg/Sm ³	0.71	0.78	0.71	0.78	0.71	0.78
- max delivery		Sm ³ /h	41	48	58	67.6	58	67.6
- pressure at max. delivery (2)		mbar	13.1	18.4	16.7	23.2	16.7	23.2
OPERATION		<ul style="list-style-type: none"> Intermittent (min. 1 stop in 24 hours) Two-stage (high and low flame) and one-stage (all - nothing) 						
STANDARD APPLICATION		Boilers: water, steam, diathermic oil						
AMBIENT TEMPERATURE		°C	0 - 40					
COMBUSTIVE AIR TEMPERATURE		°C max	60					
ELECTRICAL SUPPLY		V	230 ~ +/-10%			230 - 400 with neutral ~ +/-10%		
		Hz	50/60 - single-phase			50/60 - three-phase		
ELECTRICAL MOTOR		rpm	2800/3400		2820/3400		2820/3400	
		W	300		420		450	
		V	220 - 240		220 - 240		220/240-380/415	
ACCELERATION CURRENT		A	15		17		14 - 10	
OPERATION CURRENT		A	3.2		3.5		2 - 1.4	
MOTOR CAPACITOR		mF/V	12.5/400		12.5/425		-	
IGNITION TRASFORMER		V1 - V2 I1 - I2	230 V - 1 x 15kV 1 A - 25mA					
ELECTRICAL POWER CONSUMPTION		W max	600		700		800	
NOISE (3)	SOUND PRESSURE	dBA	68		70		70	
			79		81		81	

(1) Reference conditions: Room temperature 20°C - Gas temperature 15°C - Barometric pressure 1013 mbar - Altitude 0m above sea level.

(2) Socket pressure 7)(A) p.4 with zero pressure in the combustion chamber.

(3) Sound pressure measured in manufacturer's combustion laboratory, with burner operating on test boiler and at maximum rated output. The sound power is measured with the "Free Field" method, as per EN 15036, and according to an "Accuracy: Category 3" measuring accuracy, as set out in EN ISO 3746.

VARIANTS

MODEL	POWER SUPPLY	LENGTH BLAST TUBE mm
RS 34 MZ	Single phase	216
	Single phase	351
RS 44 MZ	Single phase	216
	Single phase	351
	Three phase	216
	Three phase	351

GAS CATEGORY

CATEGORY	COUNTRY
I2E(R)	BE
I2H	LV
I3B/P	CY, MT
I3P	BE
II2E3B/P	LU, PL
II2ELL3B/P	DE
II2Er3P	FR
II2H3B/P	AT, CH, CZ, DK, EE, FI, GR, HU, IS, IT, LT, NO, SE, SI, SK
II2H3P	ES, GB, IE, PT
I _{2L} - I _{2E} - I ₂ (43,46 ÷ 45,3 MJ/m ³ (0°C))	NL

ACCESSORIES (optional):**• RADIO DISTURBANCE PROTECTION KIT**

If the burner is installed in places particularly subject to radio disturbance (emission of signals exceeding 10 V/m) owing to the presence of an INVERTER, or in applications where the length of the thermostat connections exceeds 20 metres, a protection kit is available as an interface between the control box and the burner.

BURNER	RS 34-44 MZ
Code	3010386

• KIT LONG HEAD

BURNER	RS 34 MZ	RS 44 MZ
Code	3010428	3010429

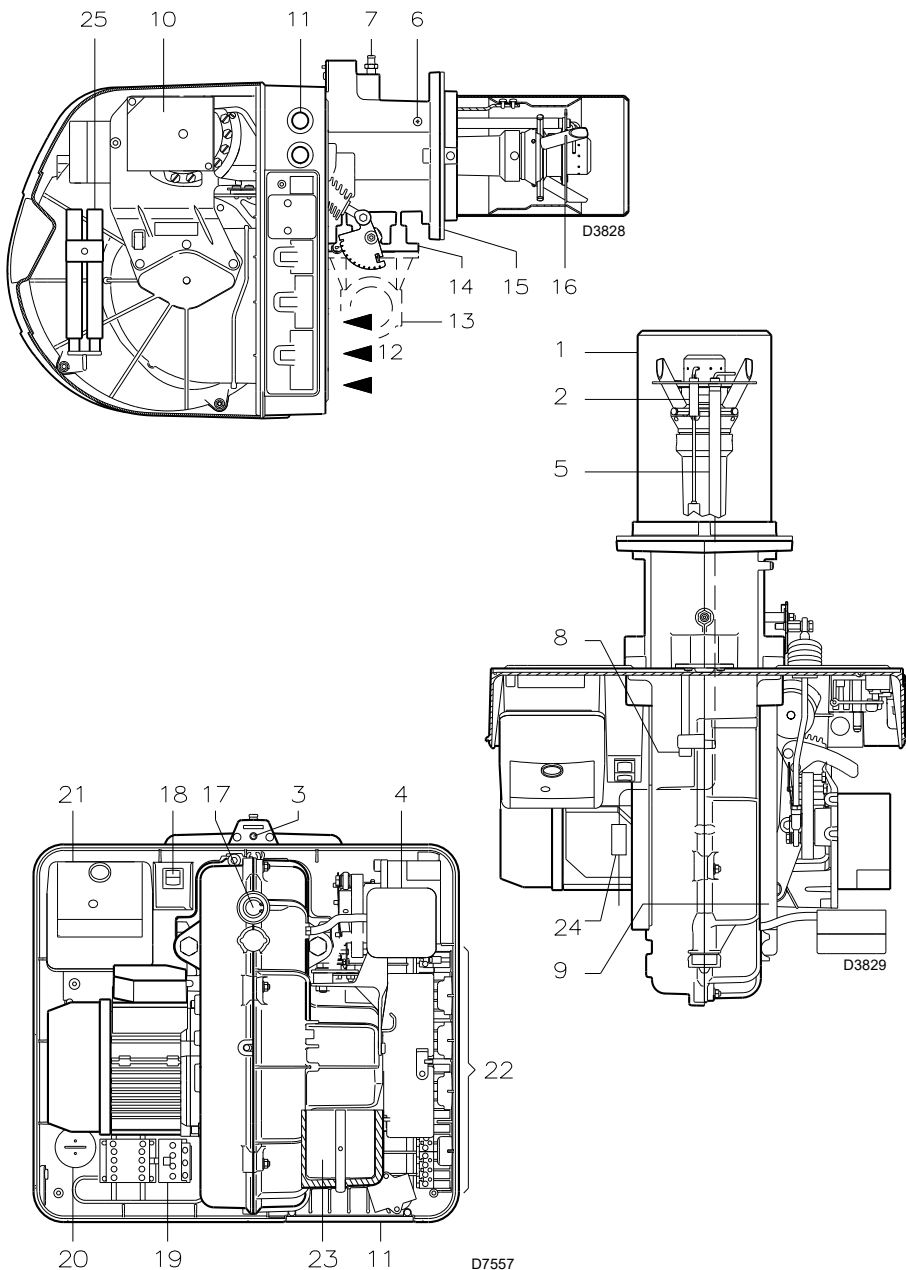
• KIT FOR LPG OPERATION: the kit allows the RS 34-44 MZ burners to operate on LPG.

BURNER	RS 34 MZ	RS 44 MZ
Output kW	80/125 - 390 kW	120/200 - 530kW
Blast tube length mm	216 - 351	216 - 351
Code	3010423	3010424

• KIT MAXIMUM GAS PRESSURE SWITCH	Cod. 3010418
• KIT CLEAN CONTACTS	Cod. 3010419
• KIT POST-PURGING	Cod. 3010452
• KIT GROUND FAULT INTERRUPTER	Cod. 3010448
• KIT CONTINUOUS PURGING	Cod. 3010449
• KIT HOURCOUNTER	Cod. 3010450
• KIT INTERFACE ADAPTER RMG TO PC	Cod. 3002719

• GAS TRAINS TO COUPLE WITH THE BURNER, ACCORDING TO REGULATION EN 676 (complete with valves, pressure adjuster and filter): see page 8.

NOTE: The installer is responsible for the addition of any safety device not foreseen in this manual.



BURNER DESCRIPTION (A)

- 1 Combustion head
- 2 Ignition electrode
- 3 Screw for combustion head adjustment
- 4 Minimum air pressure switch (differential operating type)
- 5 Flame sensor probe
- 6 Air pressure test point
- 7 Gas pressure test point and head fixing screw
- 8 Screws securing fan to pipe coupling
- 9 Guides for opening the burner and inspecting the combustion head
- 10 Servomotor controlling the gas butterfly valve and of air damper (by means of a variable profile cam mechanism).
When the burner is stopped, the air damper will be completely closed to reduce heat loss due to the flue draught, which tends to draw air from the fan air suction inlet.
- 11 Areas for passage of electric cables
- 12 Air inlet to fan
- 13 Gas input pipework
- 14 Gas butterfly valve
- 15 Boiler mounting flange
- 16 Flame stability disk
- 17 Flame inspection window
- 18 Two switches:
- one "burner off - on"
- one for "1st - 2nd stage operation"
- 19 Motor contact maker and thermal cut-out with reset button (RS 44 MZ three-phase)
- 20 Motor capacitor (RS 34-44 MZ single-phase)
- 21 Control box with lockout pilot light and reset button
- 22 Sockets for electrical wiring
- 23 Air damper
- 24 Plug-socket on ionisation probe cable
- 25 Guide extensions (long head version)

Two types of burner lockout may occur:

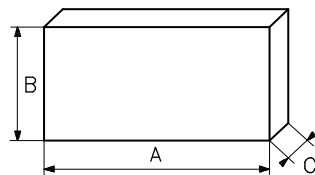
- **CONTROL BOX LOCKOUT:**
if the control box 21)(A) pushbutton lights up, it indicates that the burner is in lockout.
To reset, press the push button.
- **MOTOR LOCKOUT (RS 44 MZ three-phase):**
three-phase electrical supply; to reset, press the thermal cut-out switch 19)(A).

PACKAGING - WEIGHT (B) - Approximate measurements

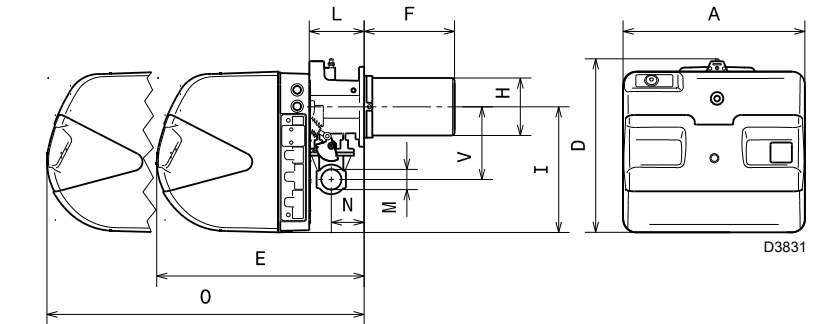
- The burners are shipped in cardboard boxes with the overall dimensions shown in tab. (B).
- The weight of the burner complete with packaging is indicated in tab. (B).

(A)

mm	A	B	C	kg
RS 34 MZ	1000	500	485	32
RS 44 MZ	1000	500	485	33



(B)



(C)

mm	A	D	E	F (1)	H	I	L	O	N	V	M
RS 34 MZ	442	422	508	216-351	140	305	138	780	84	177	1"1/2
RS 44 MZ	442	422	508	216-351	152	305	138	780	84	177	1"1/2

(1) Blast tube: short - long

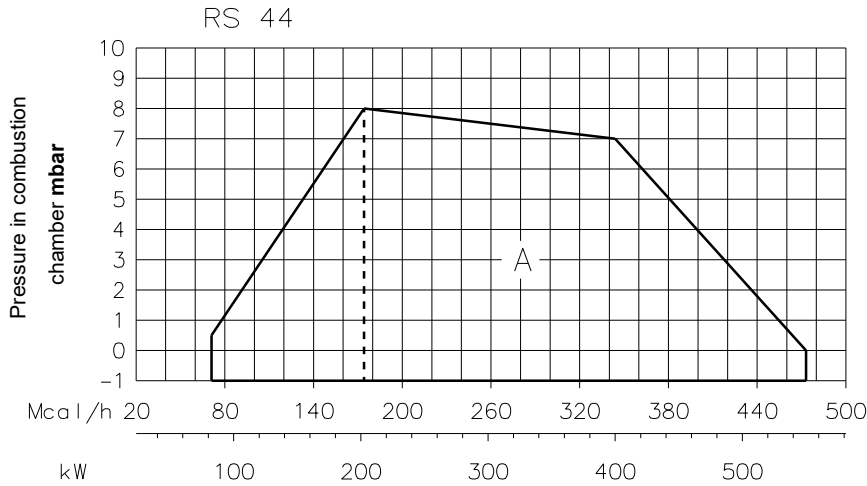
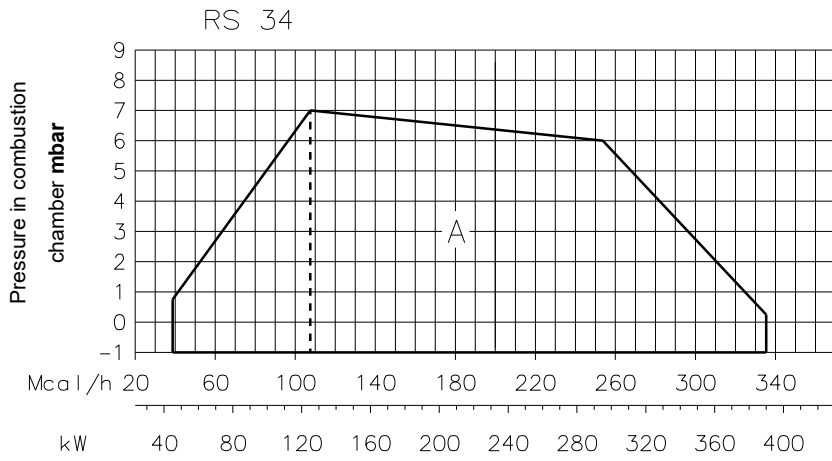
OVERALL DIMENSIONS (C)

Approximate measurements
The overall dimensions of the burner are given in (C).

Bear in mind that, in order to inspect the combustion head, the burner must be pulled back.

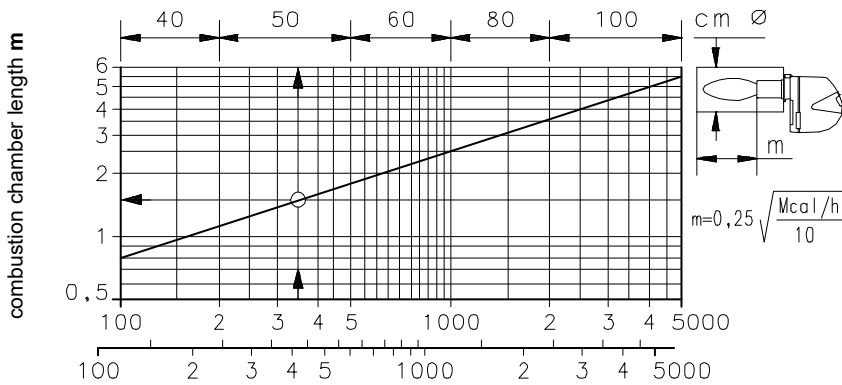
STANDARD EQUIPMENT

- 1 - Gas train flange
- 1 - Flange gasket
- 4 - Flange fixing screws M 8 x 25
- 4 - Screws to secure the burner flange to the boiler: M 8 x 25
- 1 - Thermal insulation screen
- 3 - Plugs for electrical connection (RS 34-44 MZ single-phase)
- 4 - Plugs for the electrical connection (RS 44 MZ three-phase)
- 1 - Instruction booklet
- 1 - Spare parts list



(A)

D9304



(B)

D497

FIRING RATES (A)

During operation, burner output varies between:

- a **MAXIMUM OUTPUT**, selected within area A,
- and a **MINIMUM OUTPUT**, which must not be lower than the minimum limit in the diagram:

RS 34 MZ = 45 kW

RS 44 MZ = 80 kW

Attention

The FIRING RATE values have been obtained considering an ambient temperature of 20 °C, a barometric pressure of 1013 mbar (approx.0m above sea level) and with the combustion head adjusted as shown on page 7.

TEST BOILER (B)

The firing rates were set in relation to special test boilers, according to EN 676 regulations.

Figure (B) indicates the diameter and length of the test combustion chamber.

Example

Output 350 Mcal/h:

diameter = 50 cm; length = 1.5 m.

COMMERCIAL BOILERS

The burner/boiler combination does not pose any problems if the boiler is CE type-approved and its combustion chamber dimensions are similar to those indicated in diagram (B).

If the burner must be combined with a commercial boiler that has not been CE approved and/or its combustion chamber dimensions are clearly smaller than those indicated in diagram (B), consult the manufacturer.

In addition, for inversion boilers you are advised to check the length of the combustion head, as indicated by the boiler manufacturer.

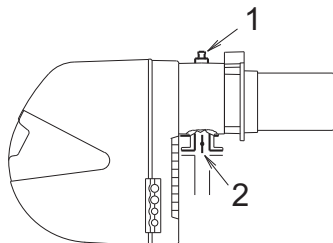
RS 34 MZ

kW	1 Δp (mbar)	2 Δp (mbar)
130	1,5	0,1
140	2,0	0,1
160	2,9	0,1
180	3,8	0,2
200	4,6	0,2
220	5,5	0,3
240	6,4	0,3
260	7,3	0,4
280	8,2	0,4
300	9,1	0,5
320	10,0	0,5
340	10,9	0,6
360	11,8	0,7
380	12,7	0,8
390	13,1	0,8

RS 44 MZ

kW	1 Δp (mbar)	2 Δp (mbar)
200	3,0	0,2
225	4,0	0,3
250	4,9	0,3
275	5,9	0,4
300	6,9	0,5
325	7,9	0,6
350	8,9	0,6
375	9,8	0,7
400	10,8	0,8
425	11,8	1,0
450	12,8	1,1
475	13,8	1,2
500	14,7	1,3
525	15,7	1,5
550	16,7	1,6

(A)



(B)

S8738

GAS PRESSURE

The adjacent tables show minimum pressure losses along the gas supply line depending on the maximum burner output operation.

Column 1

Pressure loss at combustion head.

Pressure of the gas at the socket 1)(B), with combustion chamber at 0 mbar.

Column 2

Pressure loss at gas butterfly valve 2)(B) with maximum opening: 90°.

The values shown in the various tables refer to:

natural gas G 20 PCI 9.45 kWh/Sm³
(8.2 Mcal/Sm³)

With:

natural gas G 25 PCI 8.13 kWh/Sm³
(7.0 Mcal/Sm³)

multiply the values of the table:

- columns 1-2: by 1.5;

- column 3: by 1.35.

Calculate the approximate maximum output of the burner in this way:

- subtract the combustion chamber pressure from the gas pressure measured at test point 1)(B).

- Find, in the table relating to the burner concerned, the pressure value closest to the result of the subtraction.

- Read off the corresponding output on the left.

Example - RS 34 MZ:

- Maximum output operation
 - Natural gas G 20 PCI 9.45 kWh/Sm³
 - Gas pressure at test point 1)(B) = 9.3 mbar
 - Pressure in combustion chamber = 2 mbar
- $$9.3 - 2 = 7.3 \text{ mbar}$$

A pressure of 7.3 mbar (column 1) corresponds in the table RS 34 MZ to an output of 260 kW.

This value serves as a rough guide, the effective delivery must be measured at the gas meter.

To calculate the required gas pressure at test point 1)(B), set the maximum output required from the burner operation:

- find the nearest output value in the table for the burner in question.
- Read off the pressure at test point 1)(B) on the right in column 1.
- Add this value to the estimated pressure in the combustion chamber.

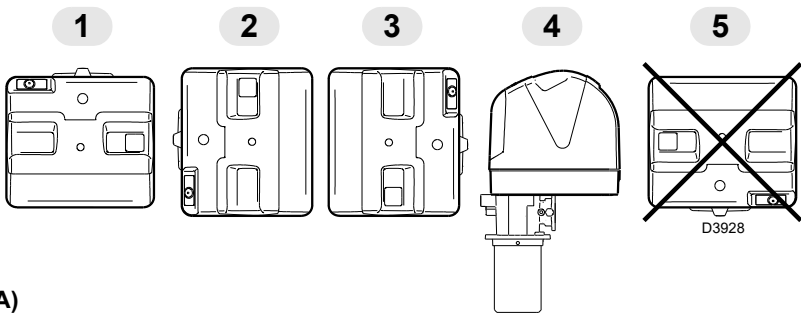
Example - RS 34 MZ:

- Required burner maximum output operation: 260 kW
 - Natural gas G 20 PCI 9.45 kWh/Sm³
 - Pressure of the gas at an output of 260 kW, from the table RS 34 MZ, column 1 = 7.3 mbar
 - Pressure in combustion chamber = 2 mbar
- $$7.3 + 2 = 9.3 \text{ mbar}$$

pressure required at test point 1)(B).

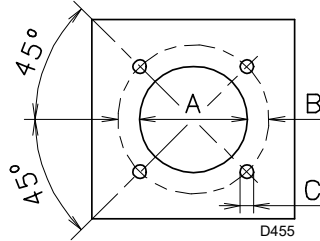


The data of thermal output and combustion head gas pressure are related to full open (90°) gas butterfly valve.

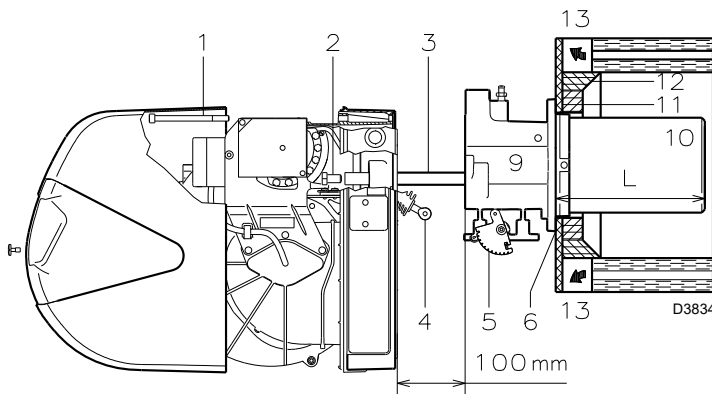


(A)

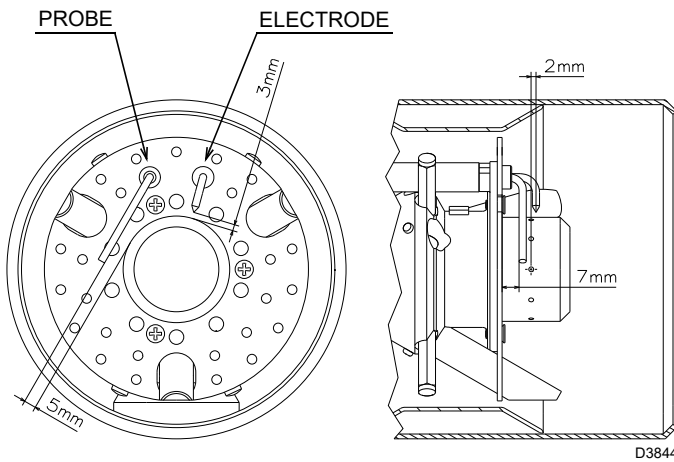
mm	A	B	C
RS 34 MZ	160	224	M 8
RS 44 MZ	160	224	M 8



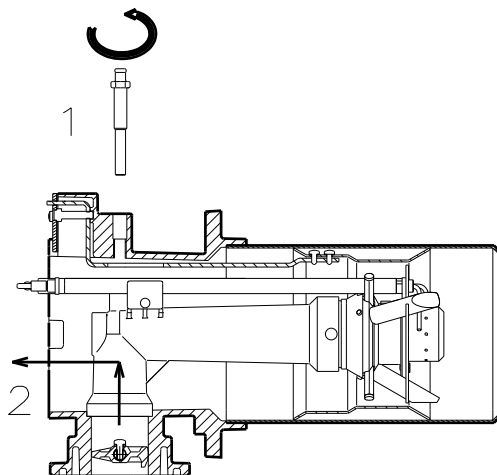
(B)



(C)



(D)



(E)

INSTALLATION

⚠ THE BURNER MUST BE INSTALLED IN CONFORMITY WITH LEGISLATION AND LOCAL STANDARDS.

OPERATION POSITION (A)

⚠ The burner is designed to operate only in the positions **1, 2, 3 and 4**.

Installation **1** is preferable, as it is the only one that allows the maintenance operations as described in this manual. Installations **2, 3 and 4** allow the working, but make the operations of maintenance and checking of the combustion head more difficult.

⊘ Any other position could compromise the correct operation of the appliance. Installation **5** is forbidden, for safety reasons.

BOILER PLATE (B)

Pierce the closing plate of the combustion chamber, as in (B). The position of the threaded holes can be marked using the thermal insulation screen supplied with the burner.

BLAST TUBE LENGTH (C)

The length of the blast tube must be selected according to the indications provided by the manufacturer of the boiler, and in any case it must be greater than the thickness of the boiler door complete with its fettling.

The range of lengths available, L (mm), is as follows:

Blast tube 10)	RS 34 MZ	RS 44 MZ
• short	216	216
• long	351	351

For boilers with front flue gases 13) or flame inversion chambers, protective fettling in refractory material 11) must be inserted between the boiler fettling 12) and the blast tube 10).

This protective fettling must not compromise the extraction of the blast tube.

For boilers with a water-cooled frontpiece, a heat-resistant cover is not necessary 11)-12)(C), unless expressly requested from the boiler manufacturer.

FIXING THE BURNER TO THE BOILER (C)

Before fixing the burner to the boiler, check (from the opening of the blast tube) that the probe and the electrode are correctly positioned, as in (D).

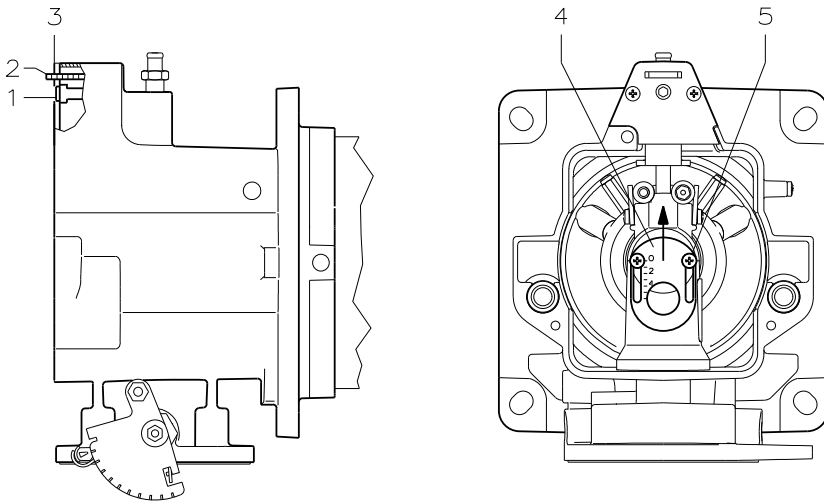
Separate the combustion head from the rest of the burner, fig. (C):

- disengage the articulated coupling 4) from the graduated sector 5);
- remove the screws 2) from the two guides 3);
- remove screw 1) and pull the burner back on guides 3) by about 100 mm;
- disconnect the probe and electrode leads, then unthread the burner completely from the guides.

Fix the unit 9)(C) to the boiler plate, inserting the supplied insulating gasket 6)(C). Use the 4 screws, also supplied with the unit, after first protecting the thread with an anti-locking product. The seal between burner and boiler must be airtight.

If, in the previous check, the position of the probe or electrode was not correct, remove the screw 1)(E), extract the inner part 2)(E) of the head, and adjust them. Do not rotate the probe: leave it as in (D). If it is located too close to the ignition electrode the control box amplifier may be damaged.

⚠ ATTENTION
Proceed with the assembly of the inner part 2)(E) of the combustion head, tightening the screw 1)(E) with a tightening torque of **4 ÷ 6 Nm**.



(A) D8458

SETTING THE COMBUSTION HEAD

Installation operations are now at the stage where the blast tube and the pipe coupling are secured to the boiler as shown in fig.(A). It is therefore particularly easy to adjust the combustion head.

Air adjustment (A - B)

Rotate the screw 1)(A) until the notch on the lamina 2)(A) corresponds with the surface of the plate 3)(A).

Example:

RS 44 MZ burner, output = 300 kW.

From diagram (B) you can see that, for the MAX output of 300 kW, the air should be adjusted at notch 3, subtracted from the value of the pressure in the chamber. In this case, the loss of pressure in the combustion head is shown in column 1 on page 6.

Note

If the pressure in the chamber is equal to 0 mbar, the air is adjusted with reference to the broken line of the diagram (B).

Central air adjustment (A - C)

In case the application needs a particular setup, it is possible to modify the central air delivery using the ring nut 4)(A) up to the notch indicated in diagram (C).

In order to carry out this operation, unscrew the screws 5)(A) and lift up the ring nut 4)(A). At the end, tighten the screws 5)(A) again.

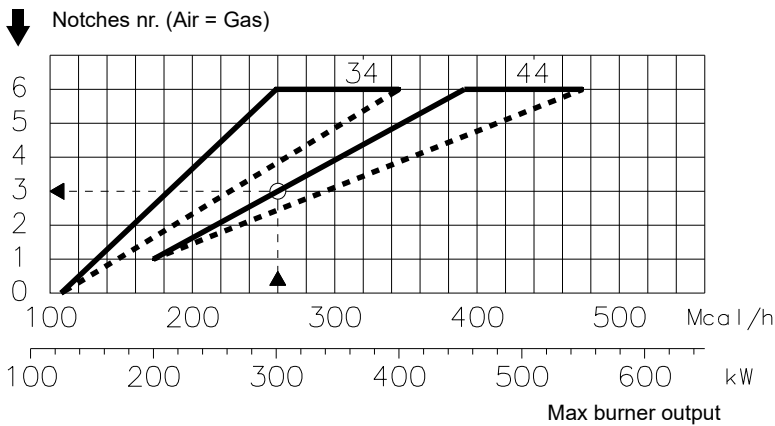
Once you have finished adjusting the head, reassemble the burner 4)(D) on the guides 3)(D) at about 100mm from the pipe coupling 5)(D) - burner in the position shown in fig. (C) p. 7 - insert the cable of the probe and the cable of the electrode, then slide the burner as far as the pipe coupling, burner in the position shown in fig. (D).

Refit screws 2) on guides 3).

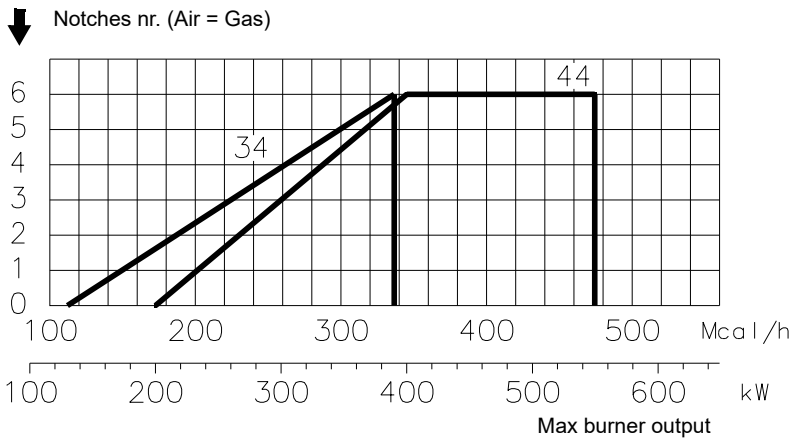
Fix the burner to the pipe coupling with the screw 1).

Attention

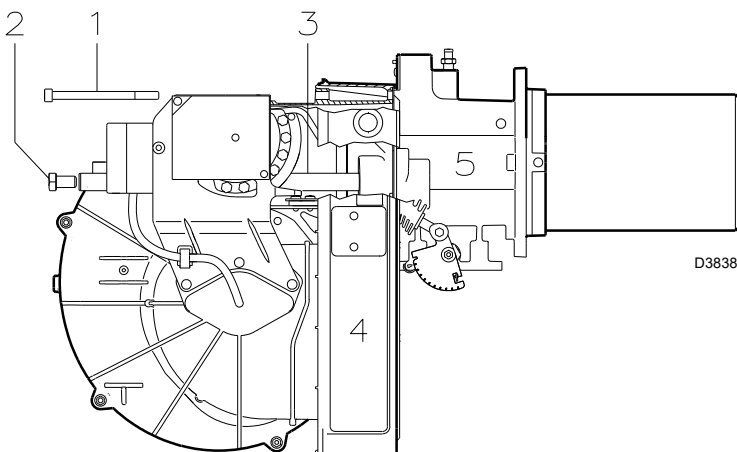
When fitting the burner on the two guides, it is advisable to gently draw out the high voltage cable and flame detection probe cable until they are slightly stretched.



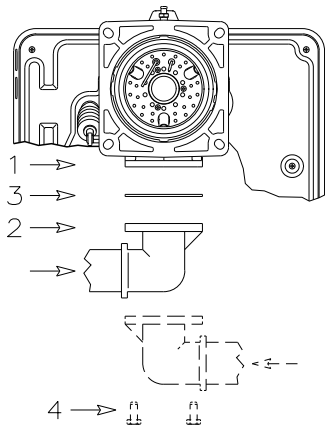
(B) D3837



(C) D8577



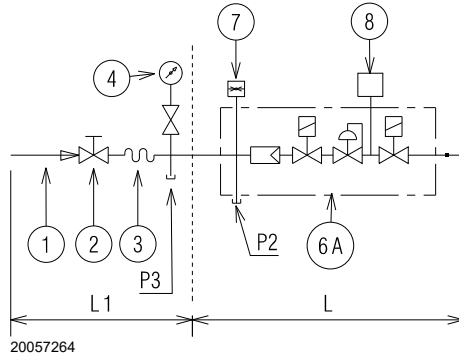
(D) D3838



(A)

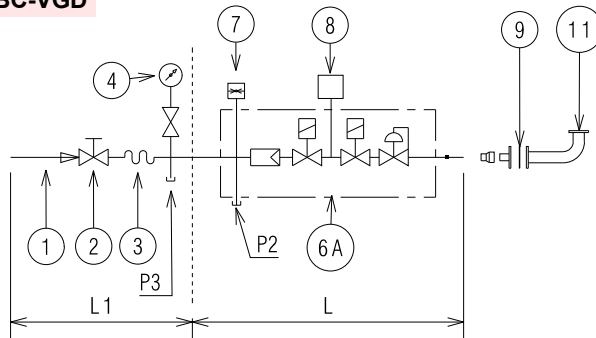
D3839

MB



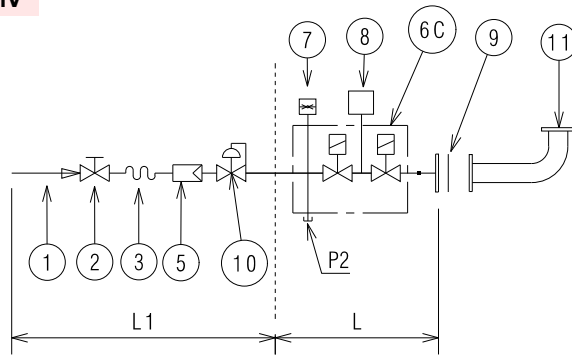
20057264

MBC-VGD



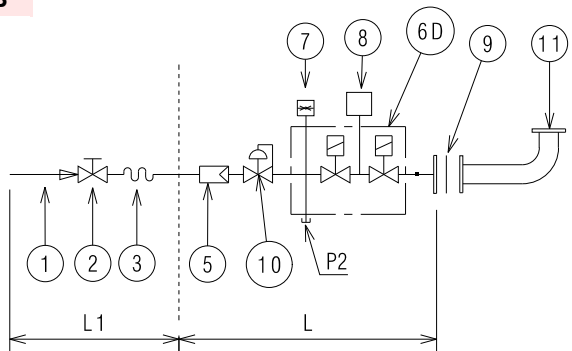
20062223

DMV



20062227

CB



20062228

GAS FEEDING LINE



WARNING

The fuel supply line must be installed by qualified personnel, in compliance with current standards and laws.



Explosion danger due to fuel leaks in the presence of a flammable source.

Precautions: avoid knocking, attrition, sparks and heat.

Make sure that the fuel interception tap is closed before performing any operation on the burner.

- The gas train must be connected to the gas attachment 1)(A), using flange 2), gasket 3) and screws 4) supplied with the burner.
- The gas train can enter the burner from the right or left side, depending on which is the most convenient, see fig.(A).
- The gas solenoids must be as close as possible to the burner, to ensure that the gas reaches the combustion head within the safety time of 3s.

GAS TRAIN

Approved, together with the burner, according to the regulation EN 676, and supplied separately from the burner.

KEY TO LAYOUT(B)

- 1 Gas input pipe
- 2 Manual valve
- 3 Vibration damping joint
- 4 Pressure gauge with pushbutton cock
- 5 Filter
- 6A Includes:
 - Filter
 - working valve
 - safety valve
 - pressure adjuster
- 6C Includes
 - safety valve
 - working valve
- 6D Includes:
 - safety valve
 - working valve
 - pressure adjuster
 - filter
- 7 Minimum gas pressure switch
- 8 Leak detection device, supplied as an accessory or incorporated, based on the gas train code. In compliance with the EN 676 standard, the leak detection control is compulsory for burners with maximum outputs over 1200 kW.
- 9 Gasket, for "flanged" versions only
- 10 Pressure adjuster
- 11 Train-burner adaptor, supplied separately
- P2 Upstream pressure of valves/adjuster
- P3 Upstream pressure of the filter
- L Gas train supplied separately
- L1 The responsibility of the installer

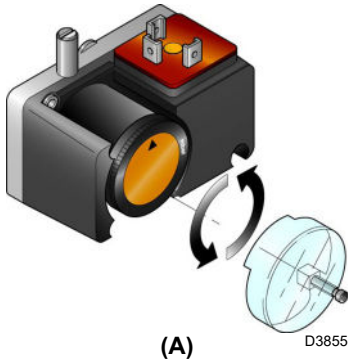
Note

See the accompanying instructions for the adjustment of the gas train.

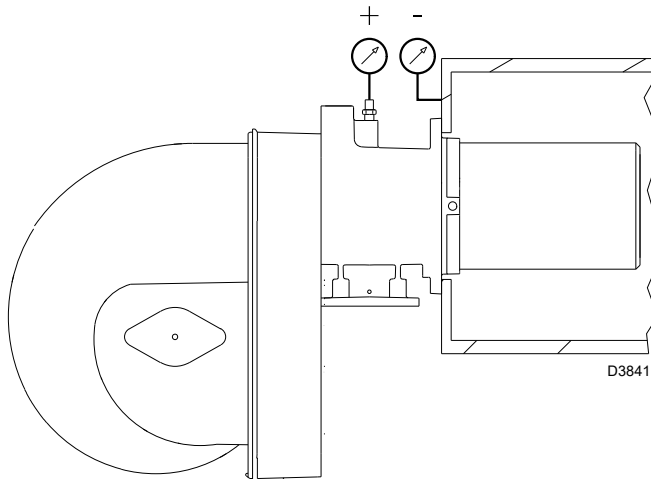
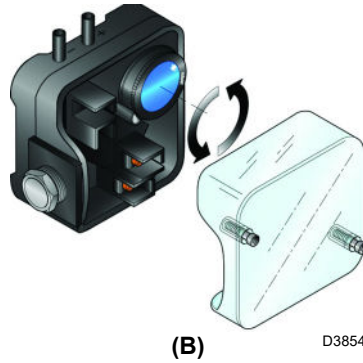
To select the correct model of the gas train, refer to the "burner-gas train combination" manual supplied.

(B)

MIN GAS PRESSURE SWITCH



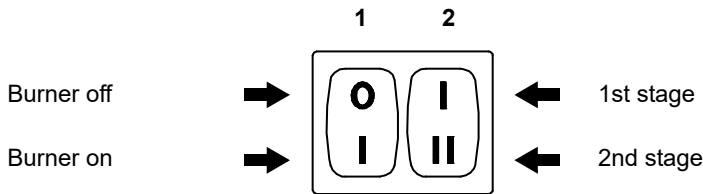
AIR PRESSURE SWITCH



(C)
SERVOMOTOR



(D)



(E)

D469

ADJUSTMENTS PRIOR TO FIRING

ATTENTION
THE FIRST FIRING MUST BE CARRIED OUT BY QUALIFIED PERSONNEL WITH THE RIGHT INSTRUMENTS.

The adjustment of the combustion head, air, was described on page 8. In addition, the following adjustments must also be made:

- open manual valves up-line from the gas train.
- Adjust the minimum gas pressure switch to the start of the scale (A).
- Adjust the air pressure switch to the zero position of the scale (B).
- Purge the air from the gas line. Continue to purge the air (we recommend using a plastic tube routed outside the building) until gas is smelt.
- Assemble a pressure gauge (C) on the gas pressure socket of the pipe coupling. The manometer readings are used to calculate MAX. burner power using the tables on page 6.
- Connect two lamps or testers to the two gas line solenoid valves VR and VS to check the exact moment at which voltage is supplied. This operation is unnecessary if each of the two solenoid valves is equipped with a pilot light that signals voltage passing through.

Before starting up the burner it is good practice to adjust the gas train so that firing takes place in conditions of maximum safety, i.e. with gas delivery at the minimum.

SERVOMOTOR (D)

The servomotor provides simultaneous adjustment of the air gate valve, by means of the variable profile cam, and the gas butterfly valve. The angle of rotation of the servomotor is equal to the angle on the graduated sector controlling the gas butterfly valve. The servomotor rotates through 90 degrees in 12 seconds. Do not alter the factory setting for the 4 cams; simply check that they are set as indicated below:

- Cam St2** : 90°
Limits rotation toward maximum position. When the burner is in 2nd stage operation the gas butterfly valve must be fully open: 90°.
- Cam St0** : 0°
Limits rotation toward the minimum position. When the burner is shut down the air gate valve and the gas butterfly valve must be closed: 0°.
- Cam St1** : 15°
Adjusts the ignition position and the output in 1st stage operation.
- Cam MV**
Not used.

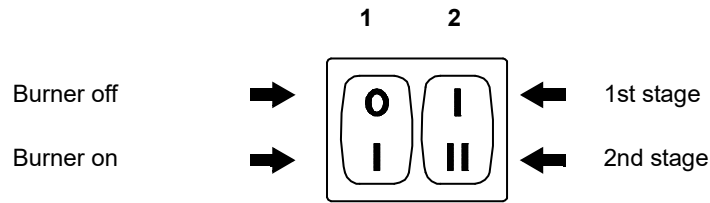
BURNER START-UP

Close the remote controls and set:
 • switch 1)(E) to "Burner ON" position
 • switch 2)(E) to "1st STAGE" position.
 As soon as the burner starts check the direction of rotation of the fan blade, looking through the flame inspection window 18)(A) p.4. Make sure that the lamps or testers connected to the solenoids, or pilot lights on the solenoids themselves, indicate that no voltage is present. If voltage is present, then **immediately** stop the burner and check electrical connections.

BURNER FIRING

Having completed the checks indicated in the previous heading, the burner should ignite. If the motor starts but the flame does not appear and the control box goes into lockout, reset and wait for a new firing attempt. If firing is still not achieved, it may be that gas is not reaching the combustion head within the safety time period of 3 seconds. In this case increase gas delivery during firing. The arrival of gas at the pipe coupling is indicated by the U-type manometer (C). Once the burner has fired, now proceed with global calibration operations.

Refer to paragraph "Safety test - with gas ball valve closed" on page 15 before the first start-up.



(A)

D469

BURNER CALIBRATION

The optimum calibration of the burner requires an analysis of the flue gases at the boiler outlet.

Adjust successively:

- 1 - 2nd stage burner output
- 2 - 1st stage burner output
- 3 - Intermediate outputs
- 4 - Air pressure switch
- 5 - Minimum gas pressure switch

DETERMINATION OF OUTPUT UPON FIRING (MINIMUM)

According to EN 676 Regulation

Burners with max. output up to 120 kW

Firing can be performed at the maximum operation output level. Example:

- max. operation output : 120 kW
- max. firing output : 120 kW

Burners with max. output above 120 kW

Firing must be performed at a lower output than the max. operation output.

If the firing output does not exceed 120 kW, no calculations are required. If firing output exceeds 120 kW, the regulation prescribes that the value be defined according to the control box safety time "ts":

for "ts" = 3s, firing output must be equal to, or lower than, 1/3 of max. operation output.

Example

MAX operation output of 450 kW.

The firing output must be equal to, or less than, 150 kW with ts = 3s

In order to measure the firing output:

- disconnect the plug-socket 24)(A) p.4 on the ionisation probe cable (the burner will fire and then go into lockout after the safety time has elapsed).
- Perform 10 firings with consecutive lockouts.
- Read the quantity of gas burned on the meter. This quantity must be equal to, or lower than, the quantity given by the formula, for ts = 3s:

$$Vg = \frac{Qa \text{ (max. burner output) } \times n \times ts}{3600}$$

Vg: volume supplied upon firings carried out (Sm³)

Qa: firing output (Sm³/h)

n: number of firings (10)

ts: safety time (sec)

Example for gas G 20 (9.45 kWh/Sm³):
firing output 150 kW

corresponding to 15.87 Sm³/h.

After 10 firings with lockout, the output indicated on the meter must be equal to, or less than:

$$Vg = \frac{15.87 \times 10 \times 3}{3600} = 0.132 \text{ Sm}^3$$

1 - 2ND STAGE BURNER OUTPUT

2nd stage output of the burner must be set within the firing rate range shown on page 5.

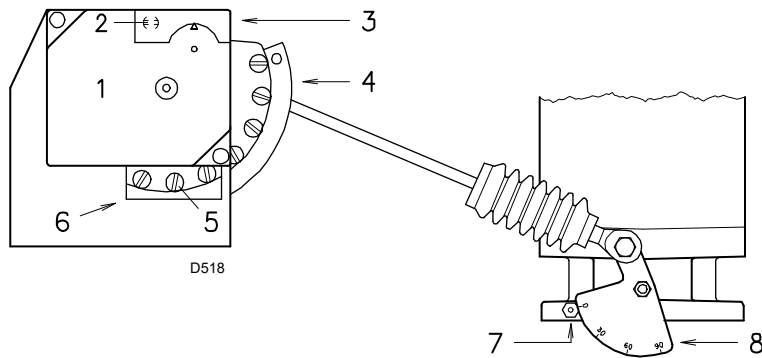
In the above instructions we left the burner running in 1st stage operation. Now set switch 2)(A) to the 2nd stage position: the servomotor will open, simultaneously, the air damper and the gas butterfly valve to 90°.

Adjustment of gas delivery

Measure the delivery of gas from the gas meter.

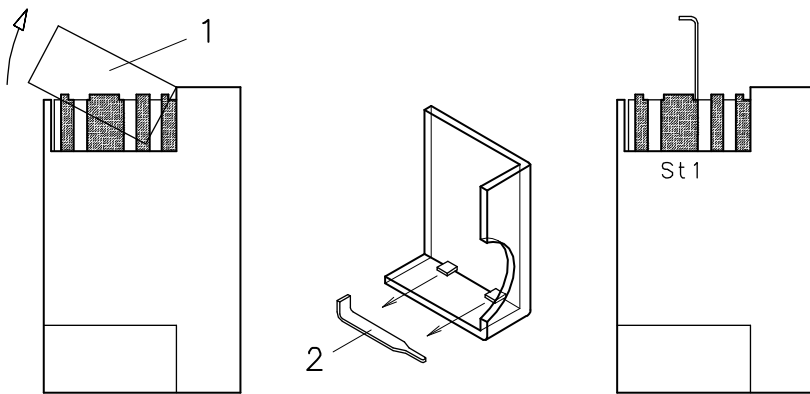
A guideline indication can be calculated from the tables on page 6, simply read off the gas pressure on the manometer, see fig.(C) on page 10, and follow the instructions on page 6.

- If delivery needs to be reduced, diminish outlet gas pressure and, if it is already very low, slightly close adjustment valve VR.
- If delivery needs to be increased, increase outlet gas pressure.



- 1 Servomotor
- 2 Cam 4 \ominus engaged/ \oplus disengages
- 3 Cam cover
- 4 Adjustable profile cam
- 5 Cam profile adjustment screws
- 6 Opening for access to screws 5
- 7 Index for graduated sector 8
- 8 Graduated sector for gas butterfly valve

(A)



(B)

D520

Adjusting air delivery

Progressively adjust the end profile of cam 4)(A) by turning the cam adjustment screws as they appear through the access opening 6)(A).

- Lock the screws to increase air delivery.
- Loose the screws to reduce air delivery.

2 - 1ST STAGE BURNER OUTPUT

Burner power in 1st stage operation must be selected within the firing rate range shown on page 5.

Set the switch 2)(A) p.11 to the 1st stage position: the servomotor 1)(A) will close the air damper and, at the same time, closes the gas butterfly valve down to 15°, i.e. down to the original factory setting.

Adjustment of gas delivery

Measure the delivery of gas from the gas meter.

- If this value is to be reduced, decrease the angle of cam St1 (B) slightly by proceeding a little at a time until the angle is changed from 15° to 13° or 11°....
- If it is necessary to increase it, move to 2nd stage operation by altering the setting of switch 2)(A) p.11 and increase the angle of cam St1, proceeding a little at a time until the angle is changed from 15° to 17° - 19°....

At this point return to 1st stage operation and measure gas delivery.

NOTE

The servomotor follows the adjustment of cam St1 only when the angle is reduced. If, however the angle must be increased, switch to 2nd stage operation, increase the angle and then return to 1st stage operation to check the effect of the adjustment.

If you increase the angle of St1 while the burner is operating in 1st stage, lockout will result.

In order to adjust cam St1, remove press-fit cover 1), as shown in fig.(B), extract the relevant key 2) from inside, and fit it into the keyway in cam St1.

Adjustment of air delivery

Progressively adjust the starting profile of cam 4)(A) by turning the screws working through the access hole 6)(A). It is preferable not to turn the first screw since this is used to set the air damper to its fully-closed position.

3 - INTERMEDIATE OUTPUTS

Adjustment of gas delivery

No adjustment of gas delivery is required.

Adjustment of air delivery

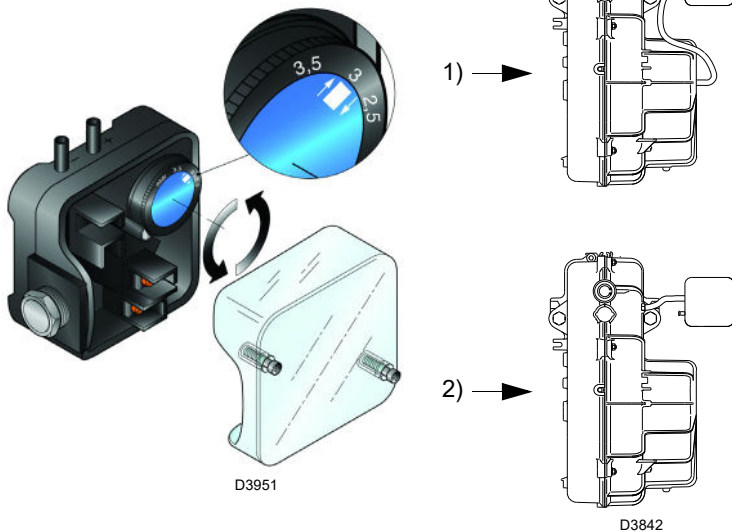
Switch off the burner using switch 1)(A) p.11, disengage the variable profile cam, set the servomotor shaft slot 2)(A) to a vertical position and turn the central screws of the cam so that the cam offers a progressive gradient. Try turning the cam back and forth by hand a few times until the movement is completely smooth with no signs of sticking.

Do not alter the position of the screws at each end of the cam track, which have already been adjusted for 1st and 2nd stage air damper control.

NOTE

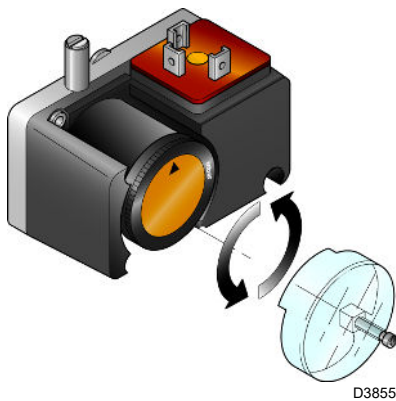
Once you have finished adjusting 2nd stage - 1st stage - intermediate outputs, check firing once again: noise emission at this stage must be identical to the following stage of operation. If you notice any sign of pulsation, reduce the firing stage delivery.

AIR PRESSURE SWITCH

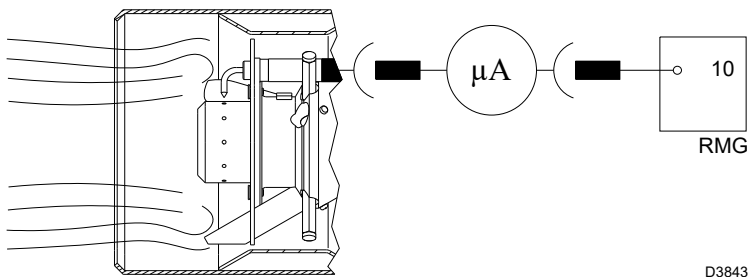


(A)

MINIMUM GAS PRESSURE SWITCH



(B)



(C)

4 - AIR PRESSURE SWITCH (A)

Adjust the air pressure switch after having performed all other burner adjustments with the air pressure switch set to the start of the scale (A). With the burner operating in 1st stage, increase adjustment pressure by slowly turning the relative knob clockwise until the burner locks out. Then turn the knob anticlockwise by about 20% of the set point and repeat burner starting to ensure it is correct.

If the burner locks out again, turn the knob anticlockwise a little bit more.

Attention: As a rule, the air pressure switch must limit the CO in the fumes to less than 1% (10,000 ppm).

To check this, insert a combustion analyser into the chimney, slowly close the fan suction inlet (for example with cardboard) and check that the burner locks out, before the CO in the fumes exceeds 1%.

The air pressure switch may operate in "differential" operation if connected to two pipes. If a negative pressure in the combustion chamber during pre-purging prevents the air pressure switch from switching, switching may be obtained by fitting a second pipe between the air pressure switch and the suction inlet of the fan. In such a manner the air pressure switch operates as differential pressure switch.

Attention: The use of the air pressure switch with differential operation is allowed only in industrial applications and where rules enable the air pressure switch to control only fan operation without any reference to CO limit.

5 - MINIMUM GAS PRESSURE SWITCH (B)

Adjust the minimum gas pressure switch (B) after having adjusted the burner, the gas valves and the gas train stabiliser. With the burner operating at maximum output:

- install a pressure gauge downstream of the gas train stabiliser (for example at the gas pressure test point on the burner combustion head);
- choke slowly the manual gas cock until the pressure gauge detects a decrease in the pressure read of about 0.1 kPa (1 mbar). In this phase, verify the CO value which must always be less than 100 mg/kWh (93 ppm).
- Increase the adjustment of the gas pressure switch until it intervenes, causing the burner shutdown;
- remove the pressure gauge and close the cock of the gas pressure test point used for the measurement;
- open completely the manual gas cock.



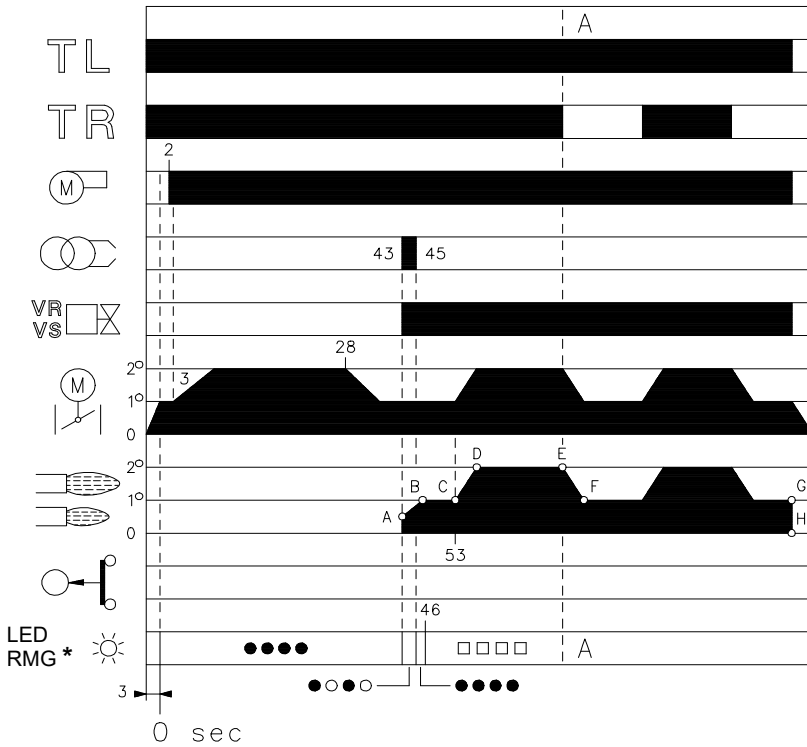
1 kPa = 10 mbar

WARNING

FLAME PRESENT CHECK (C)

The burner is fitted with an ionisation system which ensures that a flame is present. The minimum current for control box operation is 6 μ A. The burner provides a much higher current, so that controls are not normally required. However, if it is necessary to measure the ionisation current, disconnect the plug-socket 24)(A) p.4 on the ionisation probe cable and insert a direct current microammeter with a base scale of 100 μ A. Carefully check polarities!

NORMAL FIRING
(n° = seconds from instant 0)

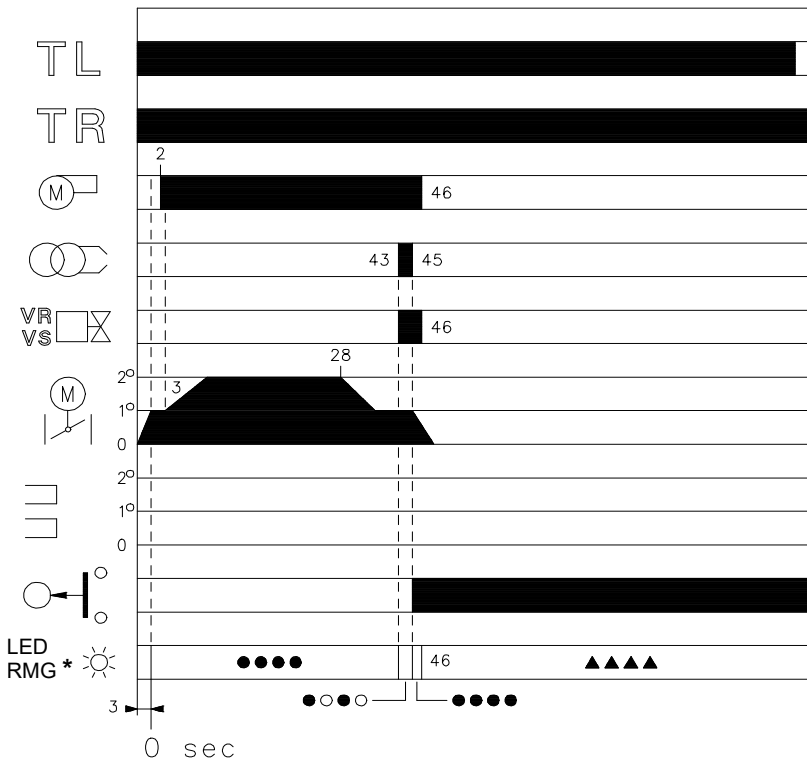


* ○ Off ● Yellow □ Green ▲ Red
For further details see page 17.

(A)

D3028

NO FIRING



* ○ Off ● Yellow ▲ Red
For further details see page 17.

(B)

D3029

BURNER OPERATION

BURNER START UP (A)

- Remote control TL closes. Servomotor starts: it rotates during opening up to the angle set on cam St1. After about 3s:
- 0 s : The control box starting cycle begins.
- 2 s : Fan motor starts.
- 3 s : Servomotor starts: it rotates during opening until contact on cam St2 is tripped. The air damper is positioned to 2nd stage output. Pre-purge stage with air delivery at 2nd stage output. Duration 25 seconds.
- 28 s : Servomotor starts: it rotates during closing up to the angle set on cam St1.
- 43 s : The air damper and the gas butterfly are positioned to 1st stage output. Ignition electrode strikes a spark. Safety valve VR (rapid opening) open. The flame is ignited at a low output level, point A. Output is then progressively increased, with the valve opening slowly up to 1st stage output, point B.
- 45 s : The spark goes out.
- 53 s : If remote control device TR is closed or if it has been replaced by a bridge, the servomotor will continue to turn until the cam St2 come into operation, setting the air damper and the gas butterfly valve to the 2nd stage operation position, section C-D. The control box starting cycle ends.

STEADY STATE OPERATION (A)

System equipped with one remote control TR

Once the starting cycle has come to an end, control of the servomotor passes on to the remote control TR that controls boiler temperature or pressure, point D.

(The control box will continue, however, to monitor flame presence and the correct position of the air pressure switch).

- When the temperature or the pressure increases until the control device TR opens, the servomotor closes the gas butterfly valve and the air damper and the burner passes from the 2nd to the 1st stage of operation, section E-F.
- When the temperature or pressure decreases until the control device TR closes, the servomotor opens the gas butterfly valve and the air damper and the burner passes from the 1st to the 2nd stage of operation. The sequence repeats endlessly.
- The stopping of the burner occurs when the heat requirement is lower than that supplied by the burner in the 1st stage, tract G - H. The TL remote control opens, the servomotor returns to angle 0° limited by cam St0. The air damper closes completely to reduce heat losses to a minimum.

Systems not equipped with TR (bridge installed)

The burner is fired as described in the case above. If the temperature or pressure increase until control device TL opens, the burner shuts down (Section A-A in the diagram).

FIRING FAILURE (B)

If the burner does not fire, it goes into lockout within 3 s of the opening of the gas solenoid valve and 49 s after the closing of remote control TL. The control box red pilot light will light up.

BURNER FLAME GOES OUT DURING OPERATION

If the flame should accidentally go out during operation, the burner will lock out within 1s.

SAFETY TEST - WITH GAS BALL VALVE CLOSED

It is fundamental to ensure the correct execution of the electrical connections between the gas solenoid valves and the burner to perform safely the commissioning.

For this purpose, after checking that the connections have been carried out in accordance with the burner's electrical diagrams, an ignition cycle with closed gas ball valve -dry test- must be performed.

- 1 The manual ball gas valve must be closed
- 2 The electrical contacts of the burner limit switch need to be closed
- 3 Ensures closed the contact of the low gas pressure switch
- 4 Make a trial for burner ignition

The start-up cycle must be as follows:

- Starting the fan for pre-ventilation
- Performing the gas valve seal control, if provided
- Completion of pre-ventilation
- Arrival of the ignition point
- Power supply of the ignition transformer
- Electrical Supply of solenoid gas valves

Since the manual gas ball valve is closed, the burner will not light up and its control box will go to a safety lockout condition.

The actual electrical supply of the solenoid gas valves can be verified by inserting a tester.

Some valves are equipped with light signals (or close/open position indicator) that turn on at the same time as their power supply.



IF THE ELECTRICAL SUPPLY OF THE GAS VALVES OCCURS AT UNEXPECTED TIMES, DO NOT OPEN MANUAL GAS BALL VALVE, SWITCH OFF POWER LINE; CHECK THE WIRES; CORRECT THE ERRORS AND REPEAT THE COMPLETE TEST.

SAFETY COMPONENTS

The safety components must be replaced at the end of their life cycle indicated in the following Table. The specified life cycles do not refer to the warranty terms indicated in the delivery or payment conditions.

Safety component	Life cycle
Flame control	10 years or 250,000 operation cycles
Flame sensor	10 years or 250,000 operation cycles
Gas valves (solenoid)	10 years or 250,000 operation cycles
Pressure switches	10 years or 250,000 operation cycles
Pressure adjuster	15 years
Servomotor (electronic cam) (if present)	10 years or 250,000 operation cycles
Oil valve (solenoid) (if present)	10 years or 250,000 operation cycles
Oil regulator (if present)	10 years or 250,000 operation cycles
Oil pipes/ couplings (metallic) (if present)	10 years
Flexible hoses (if present)	5 years or 30,000 pressurised cycles
Fan impeller	10 years or 500,000 start-ups

FINAL CHECKS (with the burner working):

- disconnect a wire of the minimum gas pressure switch;
- switch on the thermostat/pressure switch TL;
- switch on the thermostat/pressure switch TS; the burner must stop.
- disconnect the air adduction tube of the pressure switch;
- disconnect the wire of the ionisation probe; the burner must stop in lockout.

Make sure that the mechanical locking systems on the various adjustment devices are fully tightened.

MAINTENANCE



The burner requires periodic maintenance carried out by a qualified and authorised technician **in conformity with legislation and local standards.**



Periodic maintenance is essential for the reliability of the burner, avoiding the excessive consumption of fuel and consequent pollution.



Before carrying out any cleaning or control, always switch off the electrical supply to the burner, using the main switch of the system.

Combustion

The optimum calibration of the burner requires an analysis of the flue gases. Significant differences with respect to the previous measurements indicate the points where more care should be exercised during maintenance.

Gas leaks

Make sure that there are no gas leaks on the pipework between the gas meter and the burner.

Gas filter

Substitute the gas filter when dirty (see train instructions).

Combustion head

Open the burner and make sure that all components of the combustion head are in good condition, not deformed by the high temperatures, free of impurities from the surroundings and correctly positioned. If in doubt, disassemble the elbow.

Servomotor

Release the cam 4)(A) p.11, rotating by 90° the notch 2)(A) p.11, and manually check that it rotates smoothly backwards and forwards. Constrain the cam again 4).

Burner

Check for excess wear or loose screws in the mechanisms controlling the air damper and the gas butterfly valve. In addition, the screws that fix the cables in the terminal board must be blocked, along with the burner sockets.

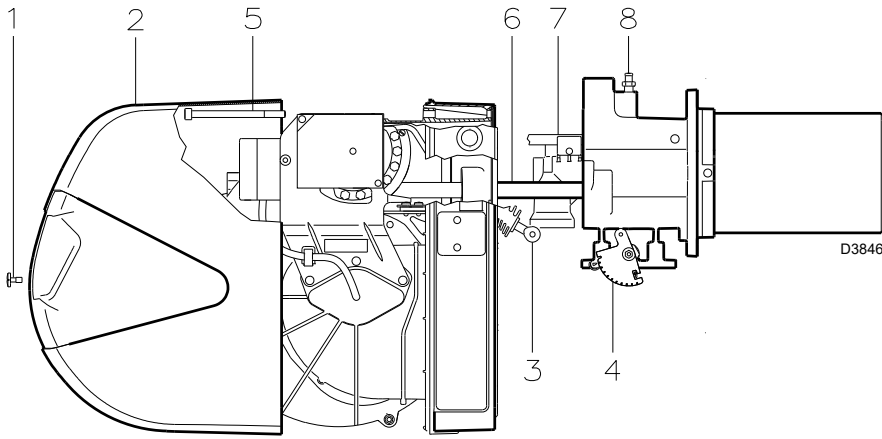
Clean the outside of the burner, taking special care with the transmission joints and cam 4)(A) p.11.

Combustion

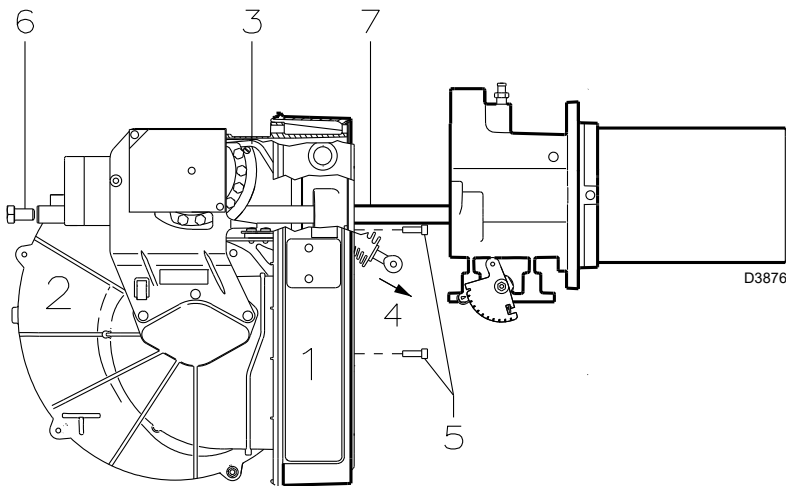
Adjust the burner if the combustion values found at the beginning of the operation do not comply with the regulations in force, or at any rate, do not correspond to good combustion.

Use the appropriate card to record the new combustion values; they will be useful for subsequent controls.

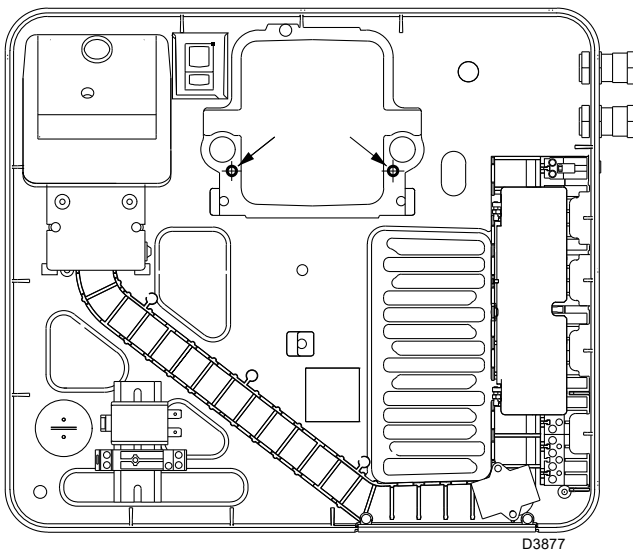
OPENING THE BURNER



(A)



(B)



(C)

TO OPEN THE BURNER (A):

- Switch off the electrical power.
- Remove screw 1) and withdraw casing 2).
- Disengage the articulated coupling 3) from the graduated sector 4).
- Remove screw 5) only if the models have a long head, retract the burner on guides 6) for around 100 mm. Remove the probe cables and then retract the whole burner.

Now extract the gas distributor 7) after having removed the screw 8).

Remove the screws 2)(C) p. 7 and tighten the two extensions 25)(A) p.4 supplied with the burner.

Retighten the two screws 2)(C) p.7 on the terminal of the extensions.



ATTENTION

Proceed with the assembly of the inner part of the combustion head, tightening the screw 8)(A) with a tightening torque of $4 \div 6 \text{ Nm}$.

TO CLOSE THE BURNER (A):

- Push the burner up to approximately 100mm from the pipe coupling.
- Reconnect the leads and slide in the burner until it comes to a stop.
- Replace the screw 5) and carefully pull the probe and electrode cables outwards until they are slightly taut.
- Re-couple the articulated coupling 3) to the graduated sector 4).
- In the long head models, unscrew the extensions and reposition them in the appropriate space; tighten the screws to the guides 2)(C) p.7.
- Reposition the casing 2) and lock with the screw 1).

SWITCHBOARD MAINTENANCE

If it is necessary to carry out maintenance on the switchboard 1)(B), it is possible to remove only the fan unit 2)(B), to allow improved access to the electrical components.

With the burner open as in fig.(A), unhook the tie-rod 3)(B), removing the screw on the variable profile cam, and extract it from the tip 4)(B).

At this point, disconnect the cables relating to the air pressure switch, the servomotor and fan motor.

Remove the 3 screws 5)(B) positioned on the protective cover.

Removing the 2 screws 6)(B), it is possible to unthread the fan unit 2)(B) from the guides 7)(B).

Finally, you can use 2 of the 3 screws 5)(B) to fasten the electrical switchboard to the pipe coupling, in the points indicated in fig.(C), and then carry out the maintenance operations.

Signal	Problem	Possible cause	Recommended remedy
2 blinks ● ●	Once the pre-purging phase and safety time have passed, the burner goes into lockout without the appearance of the flame	1 - The operation solenoid lets little gas through 2 - One of the two solenoid valves does not open. 3 - Gas pressure too low. 4 - Ignition electrode incorrectly adjusted 5 - Electrode grounded due to broken insulation 6 - High voltage cable defective 7 - High voltage cable deformed by high temperature 8 - Ignition transformer defective. 9 - Incorrect valve or transformer electrical wiring 10 - Defective control box 11 - A closed valve upline the gas train 12 - Air in pipework 13 - Gas valves unconnected or with interrupted coil	Increase Replace Increase pressure at governor Adjust Replace Replace Replace and protect Replace Check Replace Open Bleed air Check connections or replace coil
3 blinks ● ● ●	The burner does not switch on, and the lockout appears	14 - Air pressure switch in operating position	Adjust or replace
	The burner switches on, but then stops in lockout	- Air pressure switch inoperative due to insufficient air pressure: 15 - Air pressure switch incorrectly adjusted. 16 - Pressure switch pressure test point pipe blocked 17 - Poorly adjusted head 18 - High pressure in the furnace	Adjust or replace Clean Adjust Connect air pressure switch to fan suction line
	Lockout during pre-purging phase	19 - Defective motor control contactor (only three-phase version) 20 - Defective electrical motor. 21 - Motor lockout (defective electrical motor)	Replace Replace Replace
4 pulses ● ● ● ●	The burner switches on, but then stops in lockout	22 - Flame simulation	Replace the control box
	Lockout when burner stops	23 - Permanent flame in the combustion head or flame simulation	Eliminate persistence of flame or replace control box
6 blinks ● ● ● ● ● ●	The burner switches on, but then stops in lockout	24 - Defective or incorrectly adjusted servomotor.	Adjust or replace
7 blinks ● ● ● ● ● ● ●	The burner goes into lockout immediately following the appearance of the flame	25 - The operation solenoid lets little gas through 26 - Ionisation probe incorrectly adjusted 27 - Insufficient ionisation (less than 5 A) 28 - Earth probe 29 - Burner poorly grounded. 30 - Phase and neutral connections inverted 31 - Defective flame detection circuit	Increase Adjust Check probe position Withdraw or replace cable Check grounding Invert them Replace the control box
	Burner lockout moving between 1st and 2nd stages, or between 2nd and 1st stages	32 - Too much air or too little gas	Adjust air and gas
	Burner goes into lockout during operation	33 - Probe or ionisation cable grounded.	Replace worn parts
10 blinks ● ● ● ● ● ● ● ●	The burner does not switch on, and the lockout appears	34 - Incorrect electrical wiring	Check
	The burner goes into lockout	35 - Defective control box 36 - Presence of electromagnetic disturbances in the thermostat lines 37 - Presence of electromagnetic disturbance	Replace Filter or eliminate Use the radio disturbance protection kit
	The burner does not start	38 - No electrical power supply. 39 - A limiter or safety control device is open 40 - Line fuse blocked. 41 - Defective control box 42 - No gas supply 43 - Mains gas pressure insufficient 44 - Minimum gas pressure switch fails to close. 45 - Servomotor fails to move to min. ignition position	Close all switches - Check connections Adjust or replace Replace Replace Open the manual valves between contactor and train Contact your GAS COMPANY Adjust or replace Replace
No blink	The burner continues to repeat the start-up cycle, without lockout	46 - The gas pressure in the gas mains lies very close to the value to which the minimum gas pressure switch has been set. The sudden drop in pressure after valve opening causes temporary opening of the pressure switch itself, the valve immediately closes and the burner comes to a halt. Pressure increases again, the pressure switch closes again and the ignition cycle is repeated. And so on	Reduce the minimum gas pressure switch intervention pressure. Replace the gas filter cartridge.
	Ignition with pulsations	47 - Poorly adjusted head 48 - Ignition electrode incorrectly adjusted 49 - Incorrectly adjusted fan air damper: too much air 50 - Output during ignition phase is too high.	Adjust Adjust Adjust Reduce
	The burner does not move into the 2nd stage	51 - Remote control device TR fails to close. 52 - Defective control box 53 - Defective servomotor.	Adjust or replace Replace Replace
	Burner stops with air damper open	54 - Defective servomotor	Replace

NORMAL OPERATION / FLAME DETECTION TIME

The control box has a further function to guarantee the correct burner operation (signal: **GREEN LED** permanently on). To use this function, wait at least ten seconds from the burner ignition and then press the control box button for a minimum of 3 seconds. After releasing the button, the GREEN LED starts flashing as shown in the figure below.



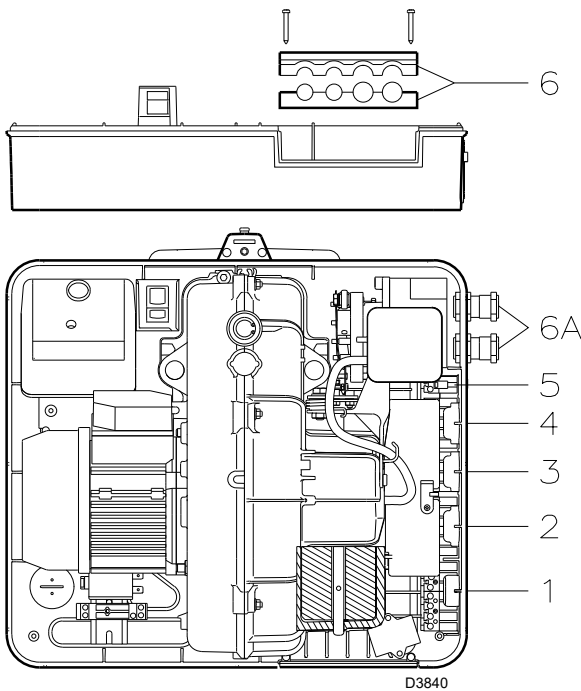
The pulses of the LED constitute a signal spaced by approximately 3 seconds. The number of pulses will measure the probe DETECTION TIME since the opening of gas valves, according to the following table:

SIGNAL	FLAME DETECTION TIME
1 blink ●	0.4s
2 blinks ● ●	0.8s
6 blinks ● ● ● ● ● ●	2.8s

This is updated in every burner start-up. Once read, the burner repeats the start-up cycle by briefly pressing the control box button.
WARNING
 If the result is > 2s, ignition will be retarded. Check the adjustment of the hydraulic brake of the gas valve, the air damper and the combustion head adjustment.

KIT INTERFACE ADAPTER RMG TO PC Code 3002719

APPENDIX



Electrical connections



NOTES

The electrical wiring must be carried out in conformity with the regulations in force in the countries of destination, and by qualified personnel.

Riello S.p.A. cannot accept any responsibility for modifications or connections other than those shown in these diagrams.

Use flexible cables, in accordance with the regulation EN 60 335-1.

All the cables to be connected to the burner must pass through cable grommets.

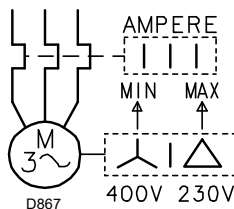
The use of cable grommets can take various forms; the following lists show one possible solution:

RS 34-44 MZ single phase

- 1- 7-pole socket for single-phase power supply, thermostat/pressure switch TL
- 2- 6-pole socket for gas valves, gas pressure switch or device for checking the valve seal
- 3- 4-pole socket for thermostat/pressure switch TR
- 4- 5-pole socket, not used
- 5- 2-pole socket for accessory min. gas pressure switch
- 6 - 6A Fittings for pipe unions
(Pierce, if it is necessary to use the pipe unions 6A)

RS 44 MZ three-phase

- 1- 7-pole socket for single-phase power supply, thermostat/pressure switch TL
- 2- 6-pole socket for gas valves, gas pressure switch or device for checking the valve seal
- 3- 4-pole socket for thermostat/pressure switch TR
- 4- 5-pole socket for three-phase power supply
- 5- 2-pole socket for accessory min. gas pressure switch
- 6 - 6A Fittings for pipe unions
(Pierce, if it is necessary to use the pipe unions 6A)



ADJUSTMENT OF THERMAL RELAY (RS 44 MZ THREE PHASE)

This is required to avoid motor burnout in the event of a significant increase in power absorption caused by a missing phase.

- If the motor is star-driven, **400V**, the cursor must be positioned on "MIN".
- If it is delta-driven, **230V**, the cursor is positioned on "MAX".

If the scale of the thermal cut-out does not include the absorption of rating of the motor at 400V, the protection is guaranteed anyway.

NOTES

- The RS 44 MZ three-phase model leaves the factory with provision for a **400V** power supply. If **230V** power supply is used, change the motor connection from star to delta and change the setting of the thermal cut-out as well.
- The RS 34 -44 MZ -burners have been type-approved for intermittent operation. This means they should compulsorily be stopped at least once every 24 hours to enable the control box to check its own efficiency at start-up. Normally, the stopping of the burner is guaranteed by the boiler's thermostat/pressure switch. If this is not the case, a time switch should be fitted in series to IN to provide for burner shutdown at least once every 24 hours.
- The burners RS 34-44 MZ leave the factory ready for two-stage operation and must therefore be connected to the thermostat/pressure switch TR. If you want the burner to work with single-phase operation, insert (in place of the thermostat/pressure switch TR) a bridge between the terminals T6 - T8 of the plug X4.



Warning:

- Do not invert the neutral with the phase in the electrical supply line. An inversion would lead to lockout due to firing failure.
- Replace the components only with original spare parts.

DECLARACIÓN DE CONFORMIDAD A.R. 8/01/2004 & 17/07/2009 – Bélgica

Productor: RIELLO S.p.A.
I - 37045 Legnago (VR)
Tel. +39.0442.630111

Puesto en circulación por:
RIELLO NV
VAN MARCKE HQ
LAR Blok Z 5,
B-8511 Kortrijk (Aalbeke) BE
Tel. +32 56 23 7511
e-mail: riello@vanmarcke.be

URL. www.vanmarcke.com

Con la presente se certifica que la serie especificada a continuación es conforme al modelo tipo descrito en la declaración de conformidad CE, y ha sido producida y puesta en circulación de acuerdo con las exigencias definidas en el D.L. del 8 de enero 2004 y 17 Julio 2009.

Tipo de producto: Quemador de gas con aire soplado

		Modelo	
		883 T	884 T
		RS 34 MZ	RS 44 MZ
Valores medidos*	media NOx (mg/kWh)	103	89
	CO máx (mg/kWh)	7	2

* Funcionamiento con gas natural (Fam. 2)

Norma aplicada: EN 676 y A.R. del 8 de enero de 2004 - 17 Julio 2009

Organismo de control: TÜV SÜD Industrie Service GmbH
Ridlerstrasse, 65
80339 München DEUTSCHLAND

Declaración del fabricante

RIELLO S.p.A. declara que los siguientes productos respetan los valores límite de emisión de los NOx impuestos por la legislación alemana "1. BImSchV versión 26.01.2010".

Producto	Tipo	Modelo	Potencia
Quemador de gas con aire soplado	884 T	RS 44 MZ	80 - 550 kW

- ▶ El quemador **posee la marca CE** y es conforme a los requisitos fundamentales de las siguientes Directivas:
 - CE Reg. N.: **0085BR0381** según 2016/426/UE;
 - Directiva Compatibilidad Electromagnética 2014/30/UE;
 - Directiva Baja Tensión 2014/35/UE;
 - Directiva Máquinas 2006/42/CE.
- ▶ Grado de protección de los quemadores IP 40 según EN 60529.

IDENTIFICACIÓN

La Placa de identificación del producto indica el número de matrícula, el modelo y los datos principales técnicos y prestacionales. La alteración, eliminación o la falta de la placa de identificación no permite su correcta identificación y dificulta los trabajos de instalación y mantenimiento.

ADVERTENCIAS GENERALES

Para garantizar una combustión con la mínima cantidad de emisiones contaminantes, las medidas y el tipo de cámara de combustión del generador de calor deben corresponder a valores bien definidos.

Por consiguiente se aconseja consultar al Servicio Técnico de Asistencia antes de escoger este tipo de quemador para montarlo en una caldera.

El personal cualificado es el que cumple los requisitos técnico-profesionales indicados en la ley 5 marzo 1990 n° 46. La organización comercial dispone de una amplia red de agencias y servicios técnicos cuyo personal participa periódicamente en cursos de instrucción y actualización en el Centro de Formación de la empresa.

Este quemador está destinado para el uso para el que ha sido expresamente fabricado.

El constructor excluye cualquier responsabilidad contractual o extracontractual por daños causados a personas, animales o cosas por errores en la instalación y calibrado del quemador, por un uso impropio del mismo, erróneo o irracional, por el incumplimiento del manual de instrucciones suministrado en dotación con el mismo quemador y por la intervención de personal no cualificado.

INFORMACIONES PARA EL USUARIO

Si se verificaran irregularidades de encendido o de funcionamiento, el quemador efectuará una “parada de seguridad”, identificada con la señal roja de bloqueo del quemador. Para restablecer las condiciones de arranque, hay que oprimir el botón de desbloqueo. Cuando el quemador arranca, la luz roja se apaga.

Dicha operación se puede repetir 3 veces como máximo. Si las “paradas de seguridad” fueran frecuentes, hay que contactar al Servicio Técnico de Asistencia.

REGLAS FUNDAMENTALES DE SEGURIDAD

- ▶ Está prohibido que niños o personas inexpertas usen el aparato.
- ▶ Está prohibido tapar con trapos, papeles o demás las rejillas de aspiración o de disipación y la ventilación del local donde está instalado el aparato.
- ▶ Está prohibido que personal no autorizado trate de reparar el aparato.
- ▶ Es peligroso tirar de los cables eléctricos o retorcerlos.
- ▶ Está prohibido limpiar el aparato antes de haberlo desconectado de la alimentación eléctrica.
- ▶ No limpiar el quemador ni sus componentes con sustancias inflamables (ej. gasolina, alcohol, etc.). El cuerpo se debe limpiar sólo con agua con jabón.
- ▶ No apoyar objetos sobre el quemador.
- ▶ No dejar envases ni sustancias inflamables en el local donde está instalado el aparato.

En algunas partes del manual se utilizan los símbolos:



ATENCIÓN = para acciones que requieren un particular cuidado y una adecuada preparación.



PROHIBIDO = para acciones que **NO DEBEN** ser efectuadas.

DATOS TÉCNICOS página Nº 2

Versiones constructivas 2

Accesorios 3

Descripción del quemador 4

Embalaje - Peso 4

Dimensiones máximas 4

Forma de suministro 4

Campos de trabajo 5

Caldera de prueba 5

Calderas comerciales 5

Presión del gas 6

INSTALACIÓN 7

Posición de funcionamiento 7

Placa caldera 7

Longitud tubo llama 7

Fijación del quemador a la caldera 7

Regulación del cabezal de combustión 8

Línea alimentación de gas 9

Regulaciones antes del primer encendido 10

Servomotor 10

Puesta en marcha del quemador 10

Encendido del quemador 10

Regulación del quemador: 11

Determinación de la potencia de encendido 11

1 - Potencia del quemador en 2ª llama 11

2 - Potencia del quemador en 1ª llama 12

3 - Potencias intermedias 12

4 - Presostato aire 13

5 - Presostato gas de mínima 13

Control presencia llama 13

Funcionamiento del quemador 14

Controles finales 15

Mantenimiento 15

Mantenimiento cuadro eléctrico 16

Anomalía - Causa Probable - Solución 18

Funcionamiento normal / tiempo de detección llama 19

Apéndice 20

Esquema cuadro eléctrico 21

Nota

Las figuras que se mencionan en el texto se identifican del modo siguiente:

- 1)(A) = Detalle 1 de la figura A, en la misma página que el texto;
- 1)(A) p.4 = Detalle 1 de la figura A, página 4.

INFORMACIONES SOBRE EL MANUAL DE INSTRUCCIÓN

INTRODUCCIÓN

El manual de instrucción suministrado juntamente al quemador:

- constituye parte integrante y fundamental del producto y no se debe separar del quemador; por lo tanto debe conservarse con cuidado para toda necesidad de consulta y debe acompañar al quemador incluso en caso de entregarse a otro propietario o usuario, o en caso de transferencia a otra instalación. En caso de daño o extravío debe solicitarse otro ejemplar al Servicio Técnico de Asistencia **Riello** de la Zona;
- fue realizado para que solo el personal calificado lo use;
- suministra importantes indicaciones y advertencias sobre la seguridad de la instalación, la puesta en funcionamiento, el uso y el mantenimiento del quemador.

ENTREGA DE LA INSTALACIÓN Y DEL MANUAL DE INSTRUCCIÓN

Cuando se entrega la instalación es necesario que:

- El manual de instrucción sea entregado por el proveedor de la instalación al usuario, con la advertencia de que dicho manual debe ser conservado en el local de la instalación del generador de calor.
- En el manual de instrucción figuran:
 - el número de matrícula del quemador;

.....

- la dirección y el número de teléfono del Centro de Asistencia más cercano;

.....
.....
.....

- El proveedor de la instalación informe con precisión al usuario acerca de:
 - el uso de la instalación,
 - eventuales pruebas adicionales necesarias que se deben realizar antes de la activación de la instalación,
 - el mantenimiento y la necesidad de controlar la instalación como mínimo una vez al año por parte de un encargado de la Empresa Fabricante o de otro técnico especializado.Para garantizar un control periódico, **Riello** se recomienda estipular un Contrato de Mantenimiento.

DATOS TÉCNICOS

MODELO			RS 34 MZ		RS 44 MZ		RS 44 MZ		
TIPO			883 T		884 T		884 T		
POTENCIA (1)	2ª llama	kW Mcal/h	125 - 390 108 - 336		203 - 550 175 - 473		203 - 550 175 - 473		
	min. 1ª llama	kW Mcal/h	45 39		80 69		80 69		
COMBUSTIBLE			GAS NATURAL: G20 - G21 - G22 - G23 - G25						
			G20	G25	G20	G25	G20	G25	
- poder calorífico inferior		kWh/Sm ³ Mcal/Sm ³	9,45 8,2	8,13 7,0	9,45 8,2	8,13 7,0	9,45 8,2	8,13 7,0	
- densidad absoluta		kg/Sm ³	0,71	0,78	0,71	0,78	0,71	0,78	
- caudal máximo		Sm ³ /h	41	48	58	67,6	58	67,6	
- presión al máximo caudal (2)		mbar	13,1	18,4	16,7	23,2	16,7	23,2	
FUNCIONAMIENTO			<ul style="list-style-type: none"> Intermitente (mín. 1 paro en 24 horas). 2 llamas (alta y baja llama) o 1 llama (todo - nada) 						
UTILIZACIÓN			Calderas: de agua, a vapor y aceite térmico						
TEMPERATURA AMBIENTE		°C	0 - 40						
TEMPERATURA AIRE COMBURENTE		°C max	60						
ALIMENTACIÓN ELÉCTRICA		V Hz	230 ~ +/-10% 50/60 - monofásica				230 - 400 con neutro ~ +/-10% 50/60 - trifásica		
MOTOR ELÉCTRICO		rpm W V	2800/3400 300 220 - 240		2820/3400 420 220 - 240		2820/3400 450 220/240-380/415		
CORRIENTE DE ARRANQUE		A	15		17		14 - 10		
CORRIENTE DE FUNCIONAMIENTO		A	3,2		3,5		2 - 1,4		
CONDENSADOR MOTOR		mF/V	12,5/400		12,5/425		-		
TRANSFORMADOR DE ENCENDIDO		V1 - V2 I1 - I2	230 V - 1 x 15 kV 1 A - 25 mA						
POTENCIA ELÉCTRICA ABSORBIDA		W max	600		700		800		
NIVEL SONORO (3)		PRESIÓN SONORA POTENCIA SONORA	68 79		70 81		70 81		

(1) Condiciones de referencia: Temperatura ambiente 20°C - Temperatura gas 15°C - Presión barométrica 1013 mbar - Altitud sobre el nivel del mar 0 m.

(2) Presión en la toma 7)(A) p.4 con presión cero en la cámara de combustión.

(3) Presión sonora medida en el laboratorio de combustión del fabricante, con quemador en funcionamiento en caldera de prueba, a la potencia máxima. La Potencia sonora se mide con el método "Free Field", previsto por la Norma EN 15036, y según una precisión de medición "Accuracy: Category 3", como se describe en la Norma EN ISO 3746.

VERSIONES CONSTRUCTIVAS

MODELO	ALIMENTACIÓN ELÉCTRICA	LONGITUD TUBO LLAMA mm
RS 34 MZ	Monofásico	216
	Monofásico	351
RS 44 MZ	Monofásico	216
	Monofásico	351
	Trifásico	216
	Trifásico	351

CATEGORÍAS GAS

CATEGORÍA	PAÍS
I2E(R)	BE
I2H	LV
I3B/P	CY, MT
I3P	BE
II2E3B/P	LU, PL
II2ELL3B/P	DE
II2Er3P	FR
II2H3B/P	AT, CH, CZ, DK, EE, FI, GR, HU, IS, IT, LT, NO, SE, SI, SK
II2H3P	ES, GB, IE, PT
I _{2L} - I _{2E} - I ₂ (43,46 ÷ 45,3 MJ/m ³ (0°C))	NL

ACCESORIOS (suministro bajo demanda):

• KIT PROTECCIÓN CONTRA LAS INTERFERENCIAS RADIO

En caso de instalar el quemador en ambientes especiales expuestos a interferencias radio (emisión de señales de más de 10 V/m) debido a la presencia de INVERTER o en aplicaciones donde las conexiones del termostato superan los 20 metros de longitud, se encuentra disponible un kit de protección como interfaz entre la caja de control y el quemador.

QUEMADOR	RS 34-44 MZ
Código	3010386

• KIT CABEZAL LARGO

QUEMADOR	RS 34 MZ	RS 44 MZ
Código	3010428	3010429

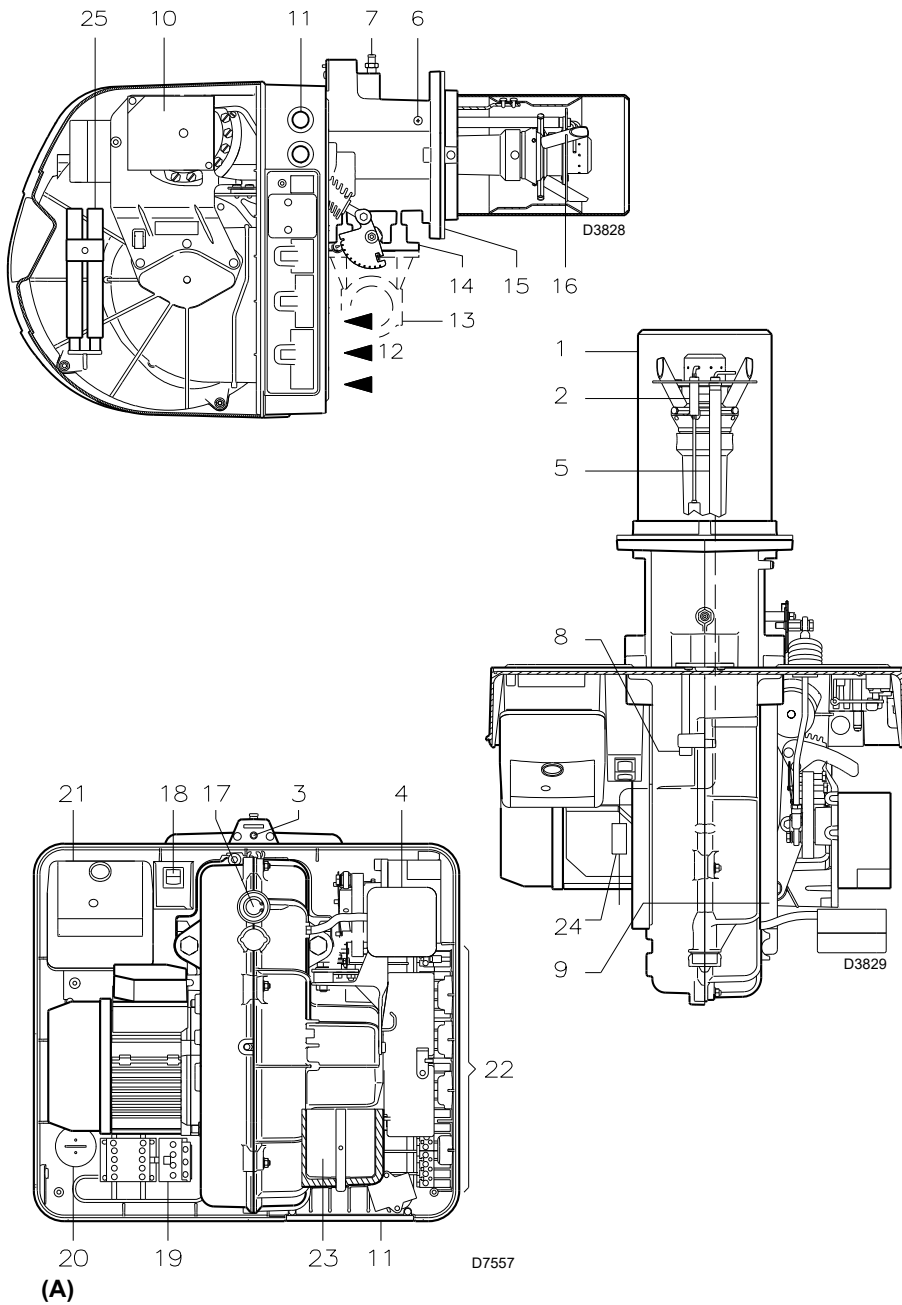
• KIT PARA FUNCIONAMIENTO CON GLP: el kit permite a los quemadores RS 34-44 MZ quemar GPL.

QUEMADOR	RS 34 MZ	RS 44 MZ
Potencia kW	80/125 - 390 kW	120/200 - 530 kW
Longitud tubo llama mm	216 - 351	216 - 351
Código	3010423	3010424

• KIT PRESOSTATO GAS DE MÁXIMA	Cód. 3010418
• KIT CONTACTOS PULIDOS	Cód. 3010419
• KIT POSTVENTILACIÓN	Cód. 3010452
• KIT INTERRUPTOR DIFERENCIAL	Cód. 3010448
• KIT VENTILACIÓN CONTINUA	Cód. 3010449
• KIT CUENTAHORAS	Cód. 3010450
• KIT INTERFACE ADAPTER RMG TO PC	Cód. 3002719

• RAMPA DE GAS QUE SE DEBE COMBINAR CON EL QUEMADOR SEGÚN LA NORMA EN 676 (con válvulas, regulador de presión y filtro): véase página 8.

NOTA: El instalador es responsable de la eventual incorporación de dispositivos de seguridad no previstos en este manual.



DESCRIPCIÓN DEL QUEMADOR (A)

- 1 Cabezal de combustión
- 2 Electrodo de encendido
- 3 Tornillo regulación cabezal de combustión
- 4 Presostato de aire (tipo diferencial)
- 5 Sonda para controlar la presencia de llama
- 6 Toma de presión de aire
- 7 Toma de presión de gas y tornillo fijación cabezal
- 8 Tornillo fijación del ventilador al soporte quemador
- 9 Guías para abertura del quemador e inspección del cabezal de combustión
- 10 Servomotor, para el control de la válvula de mariposa del gas y, mediante una leva de perfil variable, el registro del aire. Cuando el quemador está parado, el registro del aire está completamente cerrado para reducir al mínimo la dispersión térmica de la caldera debido al tipo del conducto de humos que toma aire de la boca de aspiración del ventilador.
- 11 Zonas de paso de los cables eléctricos
- 12 Entrada aire del ventilador
- 13 Conducto entrada gas
- 14 Válvula mariposa gas
- 15 Brida para fijación a la caldera
- 16 Disco estabilizador de llama
- 17 Visor llama
- 18 Dos interruptores eléctricos:
 - uno de "marcha-paro"
 - uno para "1ª llama - 2ª llama"
- 19 Contador motor y relé térmico con botón de desbloqueo (RS 44 MZ trifásico)
- 20 Condensador motor (RS 34-44 MZ monofásico)
- 21 Caja de control con piloto luminoso de bloqueo y pulsador de desbloqueo
- 22 Tomas para la conexión eléctrica
- 23 Registro de aire
- 24 Conector macho-hembra sonda de ionización
- 25 Alargadores guías (versión cabezal largo)

Hay dos posibilidades de bloqueo del quemador:

- **BLOQUEO CAJA DE CONTROL:**

La iluminación del pulsador de la caja de control 21)(A) indica que el quemador está bloqueado.

Para desbloquear, oprimir el pulsador.

- **BLOQUEO MOTOR (RS 44 MZ trifásico):**

alimentación eléctrica trifásica; para desbloquear, oprimir el pulsador del relé térmico 19)(A).

EMBALAJE - PESO (B) - medidas aproximadas

- Los quemadores se expiden en embalaje de cartón, cuyas dimensiones se especifican en la tabla (B).
- El peso del quemador completo con embalaje se indica en la tabla (B).

DIMENSIONES MÁXIMAS (C) - medidas aproximadas

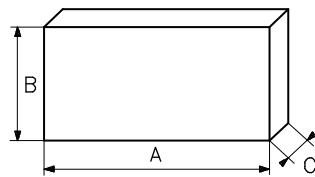
Las dimensiones máximas del quemador se indican en (C).

Tener en cuenta que para inspeccionar el cabezal de combustión el quemador se debe desplazar hacia atrás.

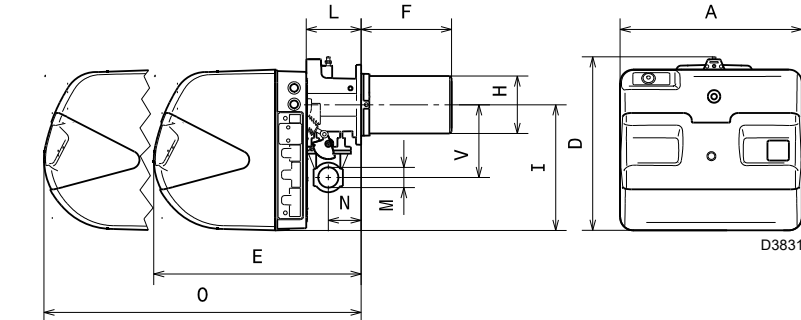
FORMA DE SUMINISTRO

- 1 - Brida conexión rampa de gas
- 1 - Junta para brida
- 4 - Tornillos M 8 x 25 fijación brida
- 4 - Tornillos para fijar la brida del quemador a la caldera: M 8 x 25
- 1 - Junta aislante
- 3 - Conectores para el cable de conexión eléctrica (RS 34-44 MZ monofásico)
- 4 - Conectores para la conexión eléctrica (RS 44 MZ trifásico)
- 1 - Instrucciones
- 1 - Lista de recambios

mm	A	B	C	kg
RS 34 MZ	1000	500	485	32
RS 44 MZ	1000	500	485	33



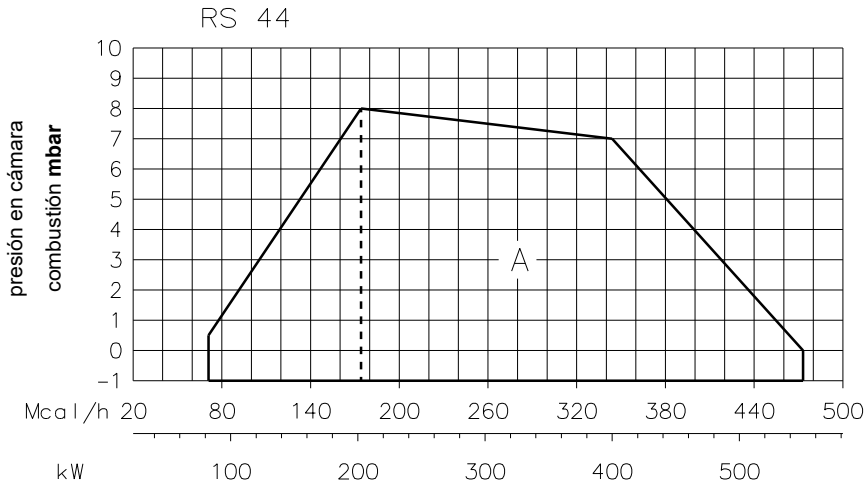
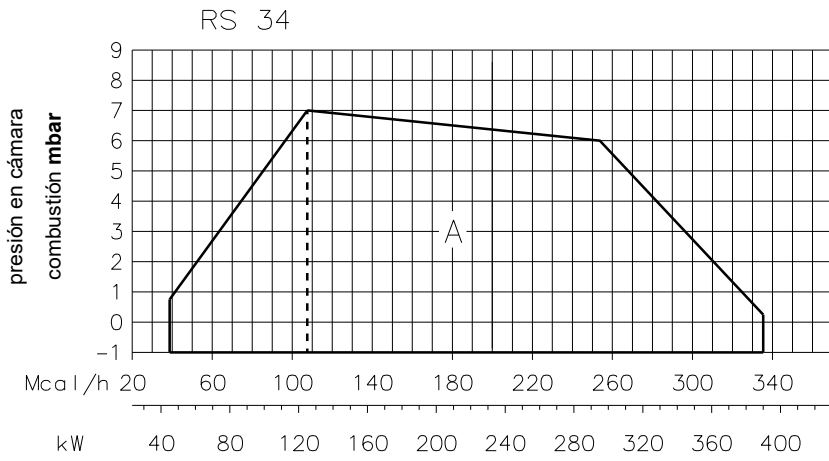
(B)



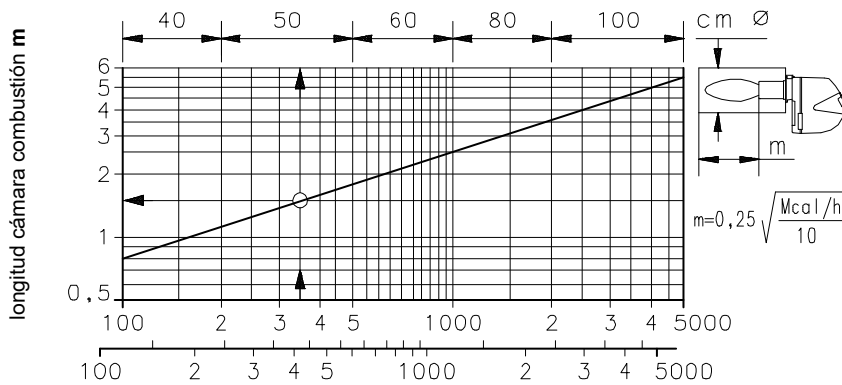
(C)

mm	A	D	E	F (1)	H	I	L	O	N	V	M
RS 34 MZ	442	422	508	216-351	140	305	138	780	84	177	1"1/2
RS 44 MZ	442	422	508	216-351	152	305	138	780	84	177	1"1/2

(1) Tubo de llama: corto - largo



(A) D9304



(B) D497

CAMPOS DE TRABAJO (A)

Durante el funcionamiento, la potencia del quemador varía entre:

- una **POTENCIA MÁXIMA**, situada en la zona A,
- y una **POTENCIA MÍNIMA**, que no debe ser inferior al límite mínimo del gráfico:

RS 34 MZ = 45 kW

RS 44 MZ = 80 kW

Atención

El CAMPO DE TRABAJO se ha calculado considerando una temperatura ambiente de 20°C, una presión barométrica de 1013 mbar (aprox. 0 metros sobre el nivel del mar) con el cabezal de combustión regulado como se indica en la página 7.

CALDERA DE PRUEBA (B)

Los gráficos se han obtenido con calderas de prueba especiales, según la norma EN 676.

En la figura (B) se indica el diámetro y longitud de la cámara de combustión de la caldera de prueba.

Ejemplo:

Potencia 350 Mcal/h:

diámetro 50 cm - longitud 1,5 m.

CALDERAS COMERCIALES

En el acoplamiento quemador-caldera no hay ningún problema si la caldera tiene la homologación CE y si las dimensiones de la cámara de combustión se aproximan a las indicadas en el gráfico (B).

Si por el contrario el quemador debe instalarse en una caldera comercial no homologada CE o con dimensiones de cámara de combustión mucho más pequeñas que las indicadas en el gráfico (B), se debe consultar al fabricante.

Además, para calderas de inversión es aconsejable controlar la longitud de cabezal de combustión tal como prescribe el constructor de la caldera.

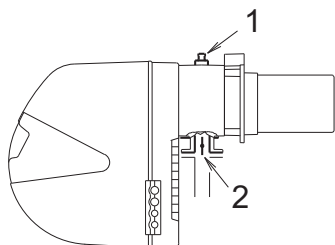
RS 34 MZ

kW	1 Δp (mbar)	2 Δp (mbar)
130	1,5	0,1
140	2,0	0,1
160	2,9	0,1
180	3,8	0,2
200	4,6	0,2
220	5,5	0,3
240	6,4	0,3
260	7,3	0,4
280	8,2	0,4
300	9,1	0,5
320	10,0	0,5
340	10,9	0,6
360	11,8	0,7
380	12,7	0,8
390	13,1	0,8

RS 44 MZ

kW	1 Δp (mbar)	2 Δp (mbar)
200	3,0	0,2
225	4,0	0,3
250	4,9	0,3
275	5,9	0,4
300	6,9	0,5
325	7,9	0,6
350	8,9	0,6
375	9,8	0,7
400	10,8	0,8
425	11,8	1,0
450	12,8	1,1
475	13,8	1,2
500	14,7	1,3
525	15,7	1,5
550	16,7	1,6

(A)



(B)

S8738

PRESIÓN DEL GAS

Las tablas que hay al margen indican las pérdidas de carga mínimas de la línea de alimentación de gas en función de la potencia máxima del quemador.

Columna 1

Pérdida de carga cabezal de combustión.

Presión del gas en la toma 1)(B), con cámara de combustión a 0 mbar.

Columna 2

Pérdida de carga registro mariposa gas 2)(B) con abertura máxima: 90°.

Los valores indicados en las tablas se refieren a:

gas natural G 20 PCI 9,45 kWh/Sm³
(8,2 Mcal/Sm³)

Con:

gas natural G 25 PCI 8,13 kWh/Sm³
(7,0 Mcal/Sm³)

multiplicar los valores de la tabla:

- columna 1-2: por 1,5;

- columna 3: por 1,35.

Para conocer la potencia MÁX aproximada a la que está funcionando el quemador:

- Restar a la presión del gas en la toma 1)(B) la presión de la cámara de combustión.
- Hallar en la tabla relativa al quemador que se considere, el valor de presión más cercano al resultado obtenido en la resta.
- Leer a la izquierda la potencia correspondiente.

Ejemplo - RS 34 MZ:

- Funcionamiento a la MÁX potencia
- Gas natural G 20 PCI 9,45 kWh/Sm³
- Presión de gas en la toma 1)(B) = 9,3 mbar
- Presión en la cámara de combustión = 2 mbar
9,3 - 2 = 7,3 mbar

A la presión de 7,3 mbar, columna 1, corresponde en la tabla RS 34 MZ una potencia de 260 kW.

Este valor sirve como primera aproximación; el real se determinará a través del contador.

En cambio, para conocer la presión de gas necesaria en la toma 1)(B), una vez fijada la potencia MÁX a la que se desea que funcione el quemador:

- Hallar la potencia más cercana al valor deseado, en la tabla relativa al quemador que se considere.
- Leer a la derecha, columna 1, la presión en la toma 1)(B).
- Sumar a este valor la sobrepresión estimada de la cámara de combustión.

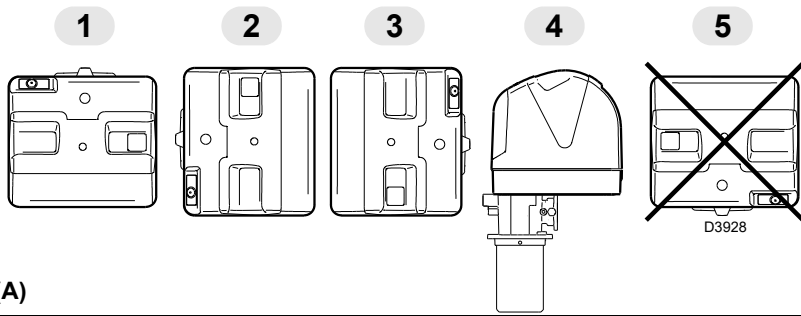
Ejemplo - RS 34 MZ:

- Potencia MÁX deseada: 260 kW
- Gas natural G 20 PCI 9,45 kWh/Sm³
- Presión del gas a la potencia de 260 kW, en la tabla RS 34 MZ, columna 1A = 7,3 mbar
- Presión en la cámara de combustión = 2 mbar
7,3 + 2 = 9,3 mbar

presión necesaria en la toma 1)(B).

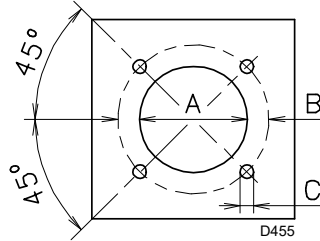


Los datos de potencia térmica y presión del gas en el cabezal corresponden al funcionamiento con válvula de mariposa de gas completamente abierta (90°).

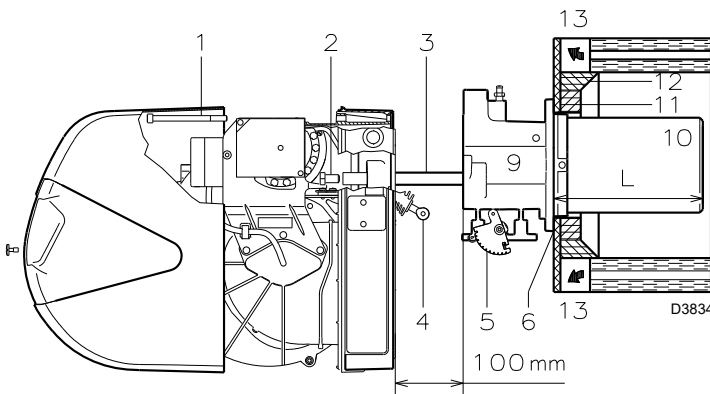


(A)

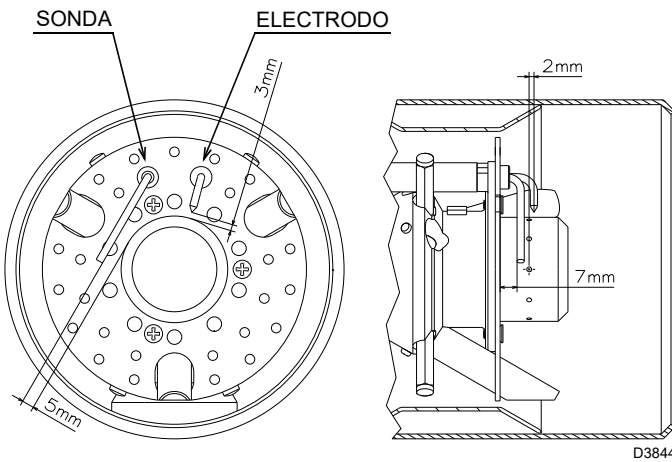
mm	A	B	C
RS 34 MZ	160	224	M 8
RS 44 MZ	160	224	M 8



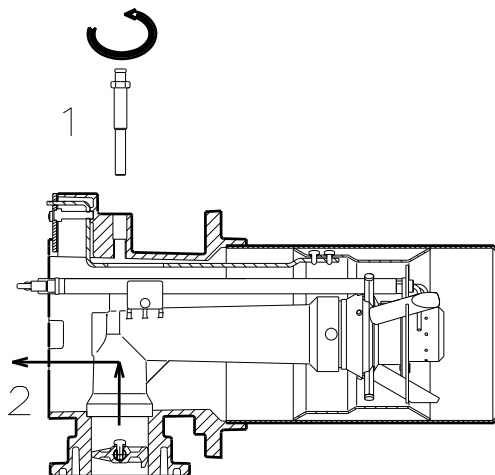
(B)



(C)



(D)



(E)

INSTALACIÓN

⚠ EL QUEMADOR SE DEBE INSTALAR DE CONFORMIDAD CON LAS LEYES Y NORMATIVAS LOCALES.

POSICIÓN DE FUNCIONAMIENTO (A)

⚠ El quemador está preparado exclusivamente para el funcionamiento en las posiciones **1, 2, 3 y 4**.

Es conveniente escoger la instalación **1** puesto que es la única que permite el mantenimiento tal como descrito a continuación en este manual. Las instalaciones **2, 3 y 4** permiten el funcionamiento pero complican las operaciones de mantenimiento y de inspección del cabezal de combustión.

⊖ Otra posición se debe considerar comprometedor para el funcionamiento correcto del aparato.

La instalación **5** está prohibida por motivos de seguridad.

PLACA CALDERA (B)

Taladrar la placa de cierre de la cámara de combustión tal como se indica en (B). Puede marcarse la posición de los orificios roscados utilizando la junta aislante que se suministra con el quemador.

LONGITUD TUBO LLAMA (C)

La longitud del tubo de llama debe seleccionarse de acuerdo con las indicaciones del fabricante de la caldera y, en cualquier caso, debe ser mayor que el espesor de la puerta de la caldera completa, con el material refractario incluido.

Las longitudes, L (mm), disponibles son:

Tubo llama 10)	RS 34 MZ	RS 44 MZ
• corto	216	216
• largo	351	351

Para calderas con pasos de humos delante (13) o con cámara de inversión de llama, colocar una protección de material refractario (11) entre el refractario de la caldera (12) y el tubo de llama (10). Esta protección debe permitir el desplazamiento del tubo de llama.

En calderas con frontal refrigerado por agua, no es necesario el revestimiento refractario (11)-(12)(C), salvo que lo indique el fabricante de la caldera.

FIJACIÓN DEL QUEMADOR A LA CALDERA (C)

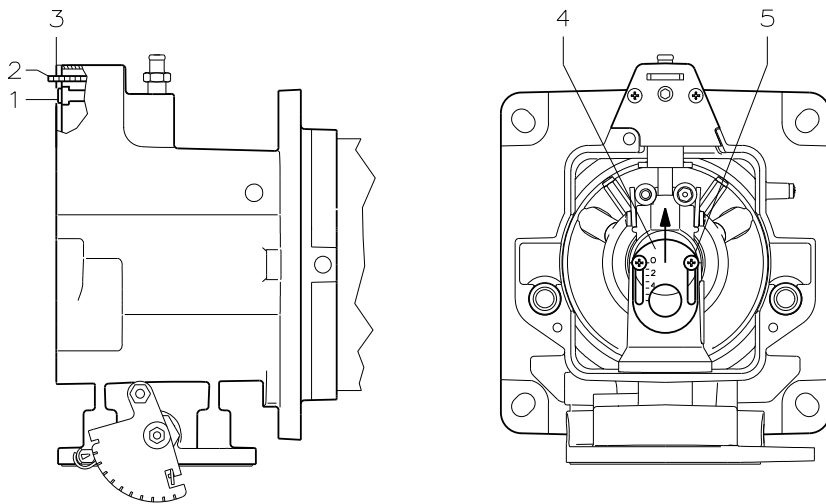
Antes de fijar el quemador a la caldera, verificar (a través de la abertura del tubo de llama) si la sonda y el electrodo de encendido están correctamente posicionados como se muestra en la figura (D). Separar luego el cabezal de combustión del resto del quemador, fig. (C):

- **desenganchar la articulación 4) del sector graduado 5);**
- **desenroscar los tornillos 2) de las dos guías 3);**
- **desenroscar los tornillos 1) y desplazar el quemador por las guías 3) unos 100 mm;**
- **desconectar los cables de la sonda y del electrodo y desplazar todo el quemador.**

Fijar el grupo 9)(C) a la placa de la caldera interponiendo la protección aislante 6)(C) suministrada de serie. Utilizar los 4 tornillos que se suministran, después de haber protegido la rosca con algún producto antibloqueo. El acoplamiento del quemador con la caldera debe ser hermético.

Si en la verificación anterior, la posición de la sonda o del electrodo no era correcta, desenroscar el tornillo 1)(E), extraer la parte interior 2)(E) del cabezal y calíbrelos. No hacer girar la sonda, sino dejarla como se indica en (D); ya que si se sitúa demasiado cerca del electrodo de encendido podría dañar el amplificador de la caja de control.

⚠ ATENCIÓN
Proceda al montaje de la parte interna 2)(E) del cabezal de combustión apretando el tornillo 1)(E) con par de apriete igual a **4 ÷ 6 Nm**.



(A)

D8458

REGULACIÓN DEL CABEZAL DE COMBUSTIÓN

En este punto de la instalación, el tubo de llama y el soporte quemador se fijan a la caldera como se indica en la Fig. (A). De esta manera se agiliza notablemente la regulación del cabezal de combustión.

Regulación aire (A -B)

Girar el tornillo 1)(A) hasta que coincida la señal de la lámina 2)(A) con el plano de la placa 3)(A).

Ejemplo

Quegador RS 44 MZ, Potencia = 300 kW.

Del diagrama (B) se desprende que para la potencia MÁX de 300 kW la regulación del aire se debe situar en la posición 3, habiéndole restado el valor de presión en la cámara. En este caso, la pérdida de presión del cabezal de combustión se facilita en la columna 1 de la pág. 6.

Nota

Si la presión en la cámara es igual a 0 mbar, la regulación del aire se realiza tomando como referencia la línea discontinua del diagrama (B).

Regulación aire central (A - C)

Si la aplicación específica requiere una regulación particular, se puede modificar el caudal de aire central mediante la tuerca 4)(A) hasta la muesca que se indica en el diagrama (C).

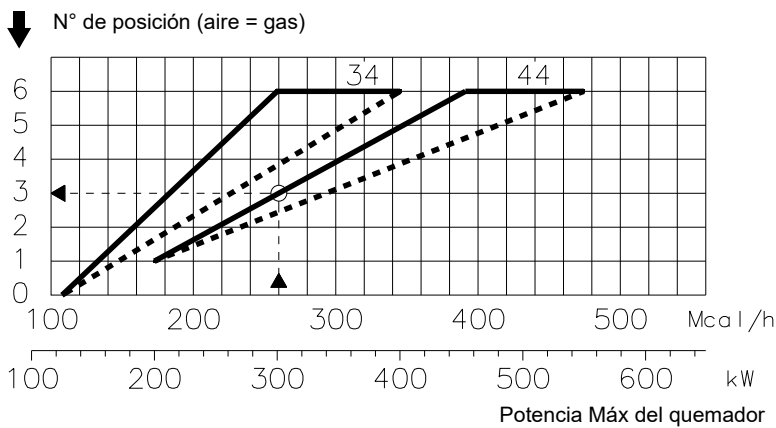
Para realizar esta operación aflojar los tornillos 5)(A) y levantar la tuerca 4)(A). Luego, bloquear nuevamente los tornillos 5)(A).

Finalizada la regulación del cabezal, volver a montar el quemador 4)(D) en las guías 3)(D) a unos 100 mm del collarín 5)(D) - quemador en la posición que muestra la fig. (C) p. 7 - conectar los cables de la sonda y del electrodo y a continuación desplazar el quemador hasta el collarín, quemador en la posición que muestra la fig. (D).

Volver a colocar los tornillos 2) en las guías 3). Fije el quemador al collarín utilizando el tornillo 1).

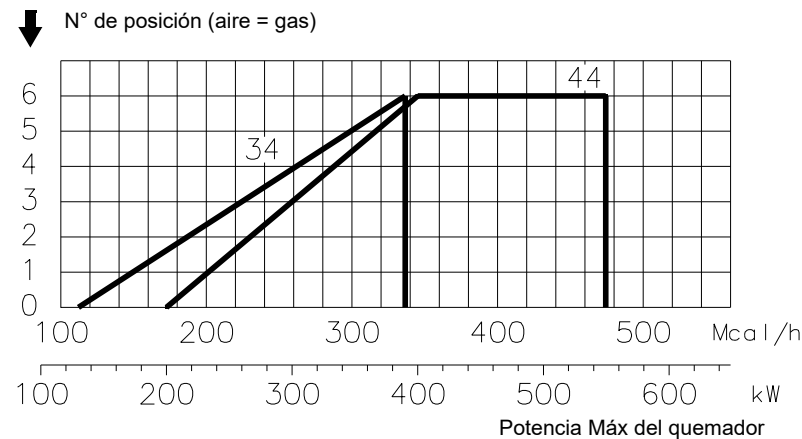
Atención

En el momento de cerrar el quemador en las guías, es conveniente tirar suavemente hacia afuera del cable de alta tensión y del de la sonda para controlar la presencia de llama hasta que estén ligeramente tensados.



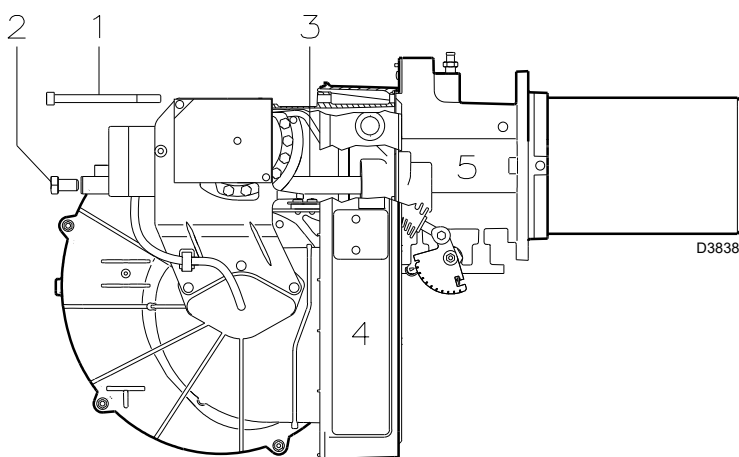
(B)

D3837

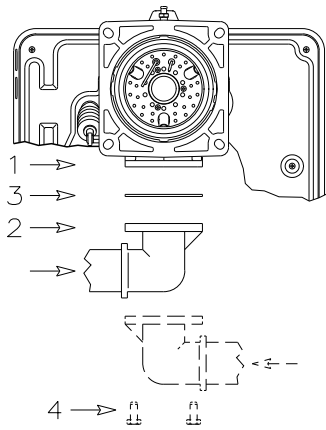


(C)

D8577



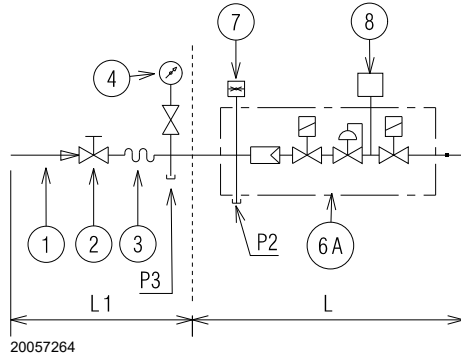
(D)



(A)

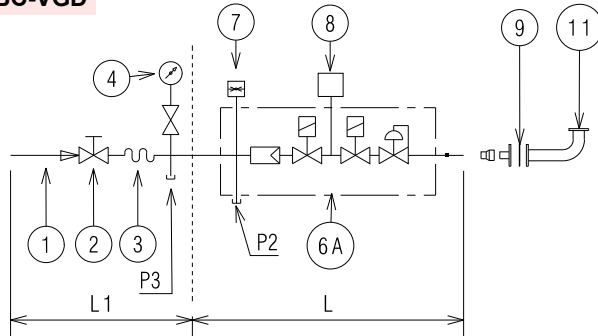
D3839

MB



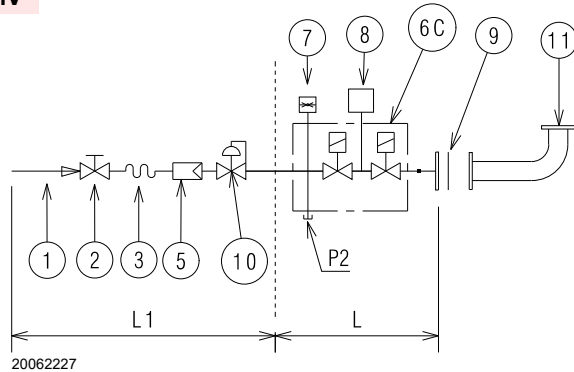
20057264

MBC-VGD



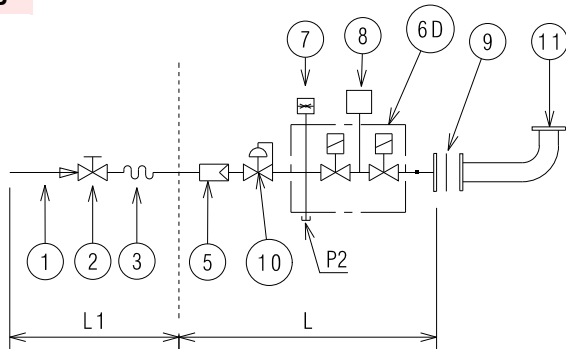
20062223

DMV



20062227

CB



20062228

LÍNEA ALIMENTACIÓN DE GAS



La instalación de la línea de alimentación del combustible debe ser efectuada por personal habilitado, de acuerdo con las normas y las disposiciones de ley vigentes.



Riesgo de explosión a causa de derrame de combustible en presencia de fuentes inflamables.

Precauciones: evitar golpes, roces, chispas, calor.

Verificar el cierre del grifo de intercepción del combustible, antes de efectuar cualquier tipo de intervención en el quemador.

- La ramba de gas va acoplada a la conexión de gas 1)(A), mediante la brida 2), la junta 3) y los tornillos 4, que se suministran con el quemador.
- La ramba puede llegar por la derecha o por la izquierda, según convenga. Ver Fig. (A).
- Las electroválvulas del gas deben estar lo más cerca posible del quemador, para asegurar la llegada del gas al cabezal de combustión en el tiempo de seguridad de 3 s.

RAMPA DE GAS

Está homologada según la norma EN 676 y se suministra por separado.

LEYENDA (B)

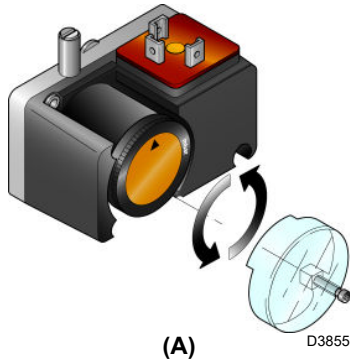
- 1 Conducto entrada gas
- 2 Válvula manual
- 3 Junta antivibratoria
- 4 Manómetro con válvula de pulsador
- 5 Filtro
- 6A Comprende:
 - filtro
 - válvula de funcionamiento
 - válvula de seguridad
 - regulador de presión
- 6C Comprende:
 - válvula de seguridad
 - válvula de funcionamiento
- 6D Comprende:
 - válvula de seguridad
 - válvula de funcionamiento
 - regulador de presión
 - filtro
- 7 Presostato gas de mínima
- 8 Control de estanqueidad, suministrado como accesorio o integrado, según el código de ramba de gas. Según la norma EN 676 el control de estanqueidad es obligatorio para quemadores con potencia máxima superior a 1200 kW.
- 9 Junta, sólo para versiones "embridadas"
- 10 Regulador de presión
- 11 Adaptador ramba-quemador, suministrado por separado
- P2 Presión antes de las válvulas/regulador
- P3 Presión antes del filtro
- L Ramba de gas, suministrada por separado
- L1 A cargo del instalador

Nota

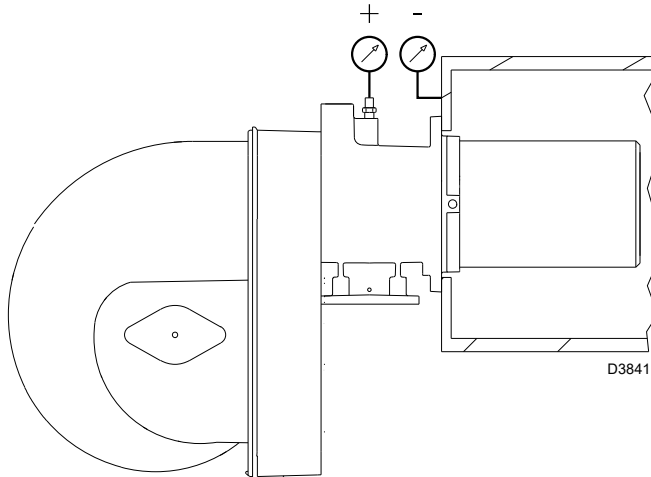
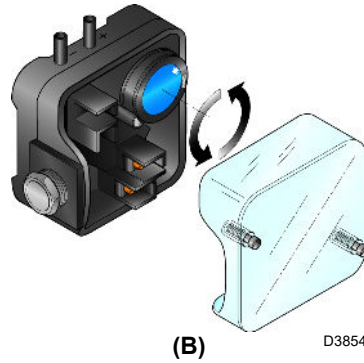
Para la regulación de la ramba de gas, ver las instrucciones que acompañan a la misma. Para seleccionar el modelo correcto de la ramba de gas, consultar el manual "Acoplamiento quemador-ramba de gas" suministrado con la instalación.

(B)

PRESOSTATO GAS DE MÍN.



PRESOSTATO AIRE

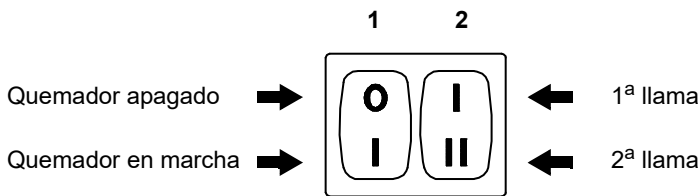


(C)

SERVOMOTOR



(D)



(E)

D469

REGULACIÓN ANTES DEL PRIMER ENCENDIDO

⚠ ATENCION

EL PRIMER ENCENDIDO DEBE SER REALIZADO POR PERSONAL CUALIFICADO Y CON LAS HERRAMIENTAS IDÓNEAS.

La regulación del cabezal de combustión, aire y gas, ya se ha descrito en la pág. 9.

Efectuar, además, las siguientes regulaciones:

- Abrir las válvulas manuales situadas antes de la rampa de gas.
- Regular el presostato gas de mínima al inicio de la escala (A).
- Regular el presostato aire al inicio de la escala (B).
- Purgar el aire de la línea de gas.

Es aconsejable evacuar el aire purgado al exterior del edificio (mediante un tubo de plástico) hasta notar el olor característico del gas.

- Instalar un manómetro (C) en la toma de presión del collarín.

Sirve para calcular, aproximadamente, la potencia MAX del quemador mediante las tablas de la pág. 6.

- Conectar en paralelo a las dos electroválvulas de gas VR y VS, dos lámparas o un tester para controlar el momento de la llegada de tensión. Esta operación no es necesaria si cada una de las electroválvulas va equipada de una luz piloto que señale la presencia de tensión eléctrica.

Antes de poner en marcha el quemador, es conveniente regular la rampa de gas de forma que el encendido se produzca en condiciones de máxima seguridad, es decir, con un pequeño caudal de gas.

SERVOMOTOR (D)

El servomotor regula simultáneamente el registro del aire por la leva de perfil variable y la válvula de mariposa del gas. El ángulo de rotación del servomotor es igual al ángulo del sector graduado de la válvula de mariposa del gas. El servomotor gira 90° en 12 segundos.

No modificar la regulación efectuada en fábrica de las 4 levas con que va dotado; verificar simplemente que las levas estén reguladas del siguiente modo:

Leva St2 : 90°

Limita la rotación máxima. Con el quemador funcionando en 2.ª llama, la válvula de mariposa del gas debe estar completamente abierta: 90°.

Leva St0 : 0°

Limita la rotación mínima.

Con el quemador parado, el registro de aire y la válvula de mariposa del gas deben estar cerrados: 0°.

Leva St1 : 15°

Regula la posición de encendido y potencia en 1.ª llama.

Leva MV

No se utiliza.

PUESTA EN MARCHA DEL QUEMADOR

Cerrar los termostatos y poner:

- el interruptor 1)(E) en la posición "Quemador en marcha";
- el interruptor 2)(E) en la posición "1ª llama".

Tan pronto se pone en marcha el quemador, controlar el sentido de giro de la turbina del ventilador a través del visor de llama 18)(A) p.4.

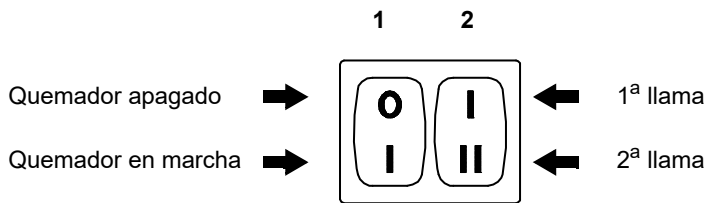
Verificar que las lámparas o el tester conectados a las electroválvulas, o las luces piloto de las propias electroválvulas, indiquen ausencia de tensión. Si señalan que hay tensión, parar **inmediatamente** el quemador y comprobar el conexionado eléctrico.

ENCENDIDO DEL QUEMADOR

Después de haber efectuado las operaciones descritas en el apartado anterior, el quemador debe de encenderse. Si el motor arranca pero no aparece llama y la caja de control se bloquea, rearmarla y efectuar un nuevo intento de puesta en marcha. Si el encendido sigue sin producirse, puede ser debido a que el gas no llega al cabezal de combustión en el tiempo de seguridad de 3 segundos. En tal caso, aumentar el caudal de gas en el encendido. La llegada de gas al quemador puede observarse en el manómetro (C). Una vez efectuado el encendido, se procederá a la regulación completa del quemador.



Antes la primera puesta en funcionamiento del quemador, consulte el párrafo "Prueba de seguridad – con alimentación gas cerrada" en la pág. 15.



(A)

D469

REGULACIÓN DEL QUEMADOR

Para lograr una regulación óptima del quemador, es necesario efectuar un análisis de los gases de combustión en la base de la chimenea.

- Hay que regular en secuencia:
- 1 - Potencia del quemador en 2ª llama
 - 2 - Potencia del quemador en 1ª llama
 - 3 - Potencia intermedia
 - 4 - Presostato aire
 - 5 - Presostato gas de mínima

DETERMINACIÓN DE LA POTENCIA DE ENCENDIDO (MÍNIMA)

Según norma EN 676.

Quemadores con potencia MÁX hasta 120 kW

El encendido puede efectuarse a la potencia máxima de funcionamiento. Ejemplo:

- potencia máxima de funcionamiento: 120 kw
- potencia máxima de encendido : 120 kw

Quemadores con potencia MÁX superior a 120 kW

El encendido debe efectuarse a una potencia reducida respecto a la potencia máxima de funcionamiento.

Si la potencia de encendido no supera los 120 kW, no es necesario hacer ningún cálculo. En cambio, si la potencia supera los 120 kW, la norma establece que su valor sea definido en función del tiempo de seguridad "ts" de la caja de control:

para "ts" = 3s la potencia de encendido debe ser igual o inferior a 1/3 de la potencia máxima de funcionamiento.

Ejemplo:

Potencia MÁX de funcionamiento 450 kW.

La potencia de encendido debe ser igual o inferior a 150 kW con ts = 3s

Para medir la potencia de encendido:

- Desconectar el conector macho-hembra 24)(A) p.4 del cable de la sonda de ionización (el quemador se enciende y se bloquea pasado el tiempo de seguridad).
- Efectuar 10 encendidos con bloqueos consecutivos.
- Leer en el contador la cantidad de gas consumido.

Esta cantidad debe ser igual o inferior a la que nos da la fórmula, para ts = 3s:

$$Vg = \frac{Qa \text{ (caudal máx. quemador) } \times n \times ts}{3600}$$

Vg: volumen erogado en los encendidos realizados (Sm³)

Qa: caudal de encendido (Sm³/h)

n: número de encendidos (10)

ts: tiempo de seguridad (seg.)

Ejemplo para gas G 20 (9,45 kWh/Sm³):

potencia de encendido 150 kW

correspondientes a 15,87 Sm³/h.

Después de 10 encendidos con bloqueo, el caudal de gas medido en el contador debe ser igual o inferior a:

$$Vg = \frac{15,87 \times 10 \times 3}{3600} = 0,132 \text{ Sm}^3$$

1 - POTENCIA DEL QUEMADOR EN 2ª LLAMA

La potencia en 2ª llama se elige dentro del campo de trabajo que se indica en la pág. 5.

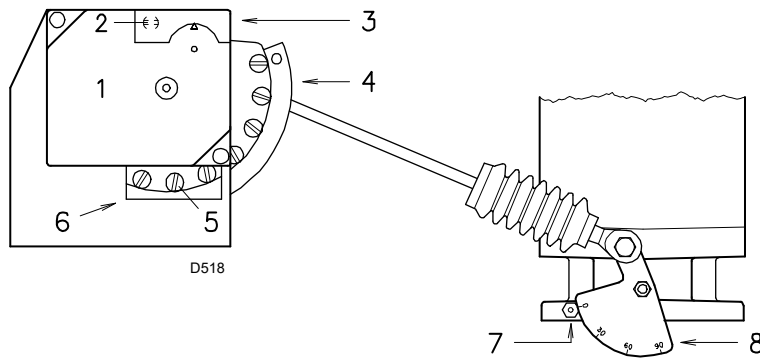
En la descripción anterior, el quemador estaba encendido en 1ª llama. Situar ahora el interruptor 2)(A) en posición "2.ª llama" y: el servomotor abrirá el registro del aire y, al mismo tiempo, la válvula de mariposa del gas a 90°.

Regulación del gas

Medir el caudal de gas en el contador.

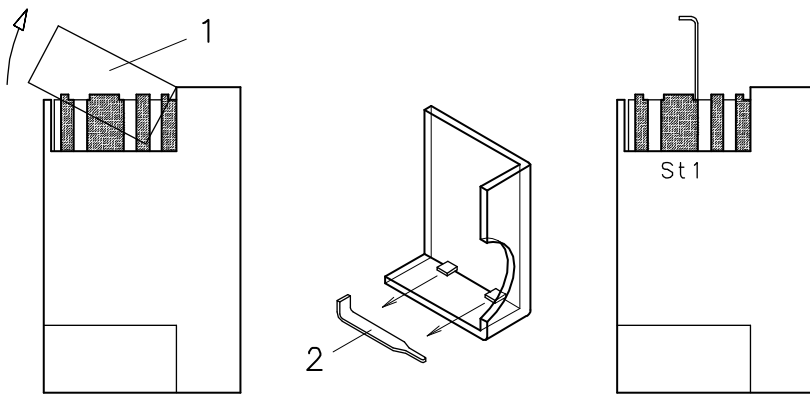
A título orientativo, puede determinarse mediante las tablas de la pág.6, mirando la presión del gas en el manómetro (ver Fig. (C) p. 10, y siguiendo las indicaciones de la pág. 6.

- Si es necesario reducirlo, disminuir la presión del gas a la salida y, si ya está al mínimo, cerrar un poco la electroválvula de regulación VR.
- Si es necesario aumentarla, incrementar la presión de gas a la salida del regulador.



- 1 Servomotor
- 2 ☹ Bloqueo / ☺ Desbloqueo leva 4
- 3 Tapa levas
- 4 Leva de perfil variable
- 5 Tornillos regulación perfil variable
- 6 Abertura acceso tornillos 5
- 7 Índice del sector graduado 8
- 8 Sector graduado válvula de mariposa gas

(A)



(B)

Regulación del aire

Variar progresivamente el perfil final de la leva 4)(A), actuando sobre los tornillos de la leva que aparecen en el interior de la abertura 6)(A).

- Para aumentar el caudal de aire, enroscar los tornillos.
- Para disminuir el caudal de aire, desenroscar los tornillos.

2 - POTENCIA DEL QUEMADOR EN 1ª LLAMA

La potencia en 1ª llama se elige dentro del campo de trabajo que se indica en la pág. 5.

Pulsar el interruptor 2)(A) p.11 en posición "1ª llama": el servomotor 1)(A) cerrará el registro del aire, y al mismo tiempo, el de mariposa situándolo a 15°, que es la regulación efectuada en fábrica.

Regulación del gas

Medir el caudal de gas en el contador.

- Si se desea disminuirlo, reducir un poco el ángulo de la leva St1 (B) mediante cortos desplazamientos sucesivos, es decir, pasando del ángulo de 15° a 13° - 11°...
- Si se desea aumentarlo, pasar a 2ª llama pulsando el interruptor 2)(A) p. 11 en posición "2ª llama" y aumentar un poco el ángulo de la leva St1 (B) mediante cortos desplazamientos sucesivos, es decir, pasando del ángulo de 15° a 17° - 19°....

Seguidamente retornar a 1.ª llama y medir el caudal de gas.

NOTA

El servomotor sigue la regulación de la leva St1 sólo cuando se reduce el ángulo de la misma. Si se tiene que aumentar el ángulo de la leva, es necesario pasar a 2ª llama, aumentar el ángulo y retornar a 1ª llama para verificar el efecto de la regulación.

Si el ángulo de St1 aumenta en 1.a llama, se produce el paro del quemador.

Para el reglaje eventual de la leva St1, extraer la tapa 1), sujeta a presión, como se indica en la fig. (B), sacar la chaveta 2) situada en el interior e introducirla en el encaje de la leva St1.

Regulación del aire

Variar progresivamente el perfil inicial de la leva 4)(A), actuando sobre los tornillos de la leva que aparecen en el interior de la abertura 6)(A). Si es posible, no girar el primer tornillo, dado que es el que se utiliza para cerrar el registro del aire completamente.

3 - POTENCIAS INTERMEDIAS

Regulación del gas

No es necesaria ninguna regulación.

Regulación del aire

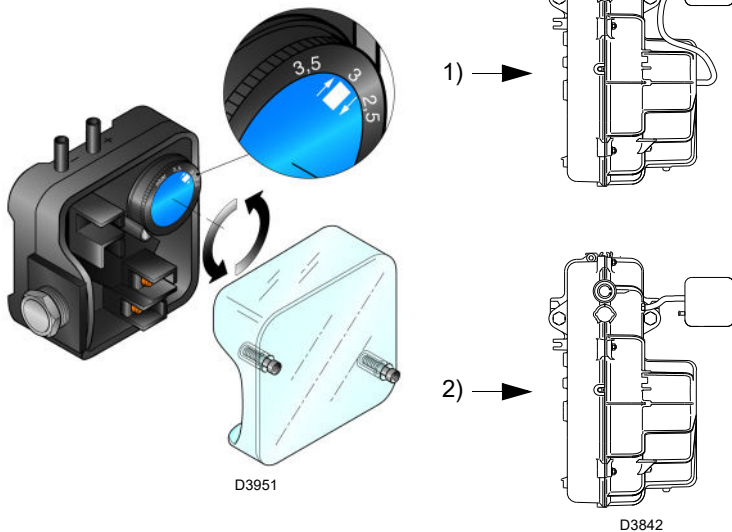
Parar el quemador actuando sobre el interruptor 1)(A) p. 11, desbloquear la leva de perfil variable situando la entalla 2)(A) en posición vertical y actuar sobre los tornillos intermedios de la guía de manera que la pendiente sea progresiva. Probar varias veces girando hacia delante y hacia atrás: el movimiento debe ser suave sin brusquedades.

No tocar los tornillos extremos que ya se han utilizado para regular el registro del aire en 1ª y 2ª llama.

NOTA

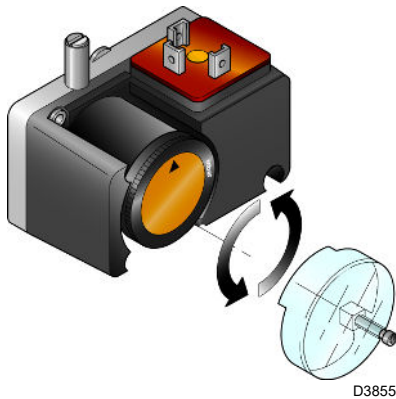
Una vez terminada la regulación de las potencias "2ª llama - 1ª llama - intermedias", volver a verificar el encendido: debe producirse un ruido parecido al de funcionamiento sucesivo. Si se observan pulsaciones, reducir el caudal de encendido.

PRESOSTATO DE AIRE

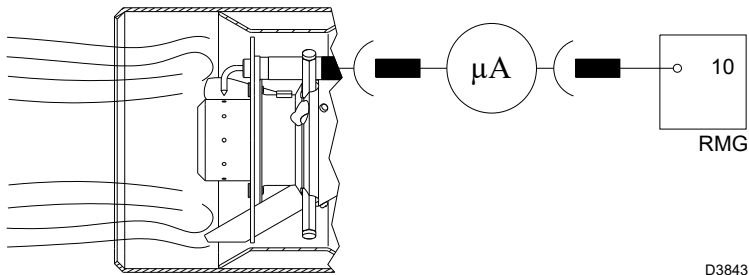


(A)

PRESOSTATO GAS DE MÍNIMA



(B)



(C)

4 - PRESOSTATO AIRE (A)

Efectuar la regulación del presostato de aire, después de haber efectuado todas las demás regulaciones del quemador, con el presostato de aire ajustado al inicio de la escala (A).

Con el quemador funcionando en 1ª llama, aumentar la presión de regulación girando lentamente (en sentido horario) el botón que se facilita a tal efecto, hasta que se bloquee el quemador.

A continuación girar dicho botón en sentido contrario a las agujas del reloj, alrededor de un 20% del valor regulado y verificar seguidamente el correcto funcionamiento del quemador.

Si el quemador se bloquea de nuevo, girar el botón un poco más, en sentido contrario a las agujas del reloj.

Atención: por norma, el presostato de aire debe impedir que el CO en los humos sea superior al 1% (10.000 p.p.m.).

Para comprobarlo, introducir un analizador de CO en la chimenea, cerrar lentamente la boca de aspiración del ventilador (p.ej. con un cartón) y verificar que el quemador se bloquee antes de que el CO en los humos supere el 1%.

El presostato aire instalado puede funcionar de manera "diferencial" si se conecta con dos tubos. Si existe una gran depresión en la cámara de combustión en la fase de prebarrido, puede ocurrir que el presostato no cierre su contacto; en este caso, colocar un tubito entre el presostato y la boca de aspiración del ventilador. De esta manera el presostato funcionará como presostato diferencial.

Atención: el uso del presostato de aire con funcionamiento diferencial sólo se permite en aplicaciones industriales y donde las normas permitan que el presostato de aire controle sólo el funcionamiento del ventilador, sin límite de referencia por lo que respecta al CO.

5 - PRESOSTATO GAS DE MÍNIMA (B)

El objetivo del presostato de la mínima presión de gas es evitar que el quemador funcione de forma inadecuada debido a una presión de gas demasiado baja.

Realizar el ajuste del presostato gas de mínima (B) después de ajustar el quemador, las válvulas de gas y el estabilizador de la rampa.

Con el quemador funcionando a la potencia máxima:

- instalar un manómetro después del estabilizador de la rampa (por ejemplo, en la toma de presión de gas al cabezal de combustión del quemador);
- ajustar lentamente el grifo manual del gas hasta que el manómetro indique una disminución de la presión de aproximadamente 0,1 kPa (1 mbar). En esta fase, controlar el valor de CO que debe ser siempre inferior a 100 mg/kWh (93 ppm).
- Aumentar el ajuste del presostato hasta que se dispare, haciendo que el quemador se apague;
- quitar el manómetro y cerrar el grifo de la toma de presión utilizada para la medición;
- abrir completamente el grifo manual del gas.

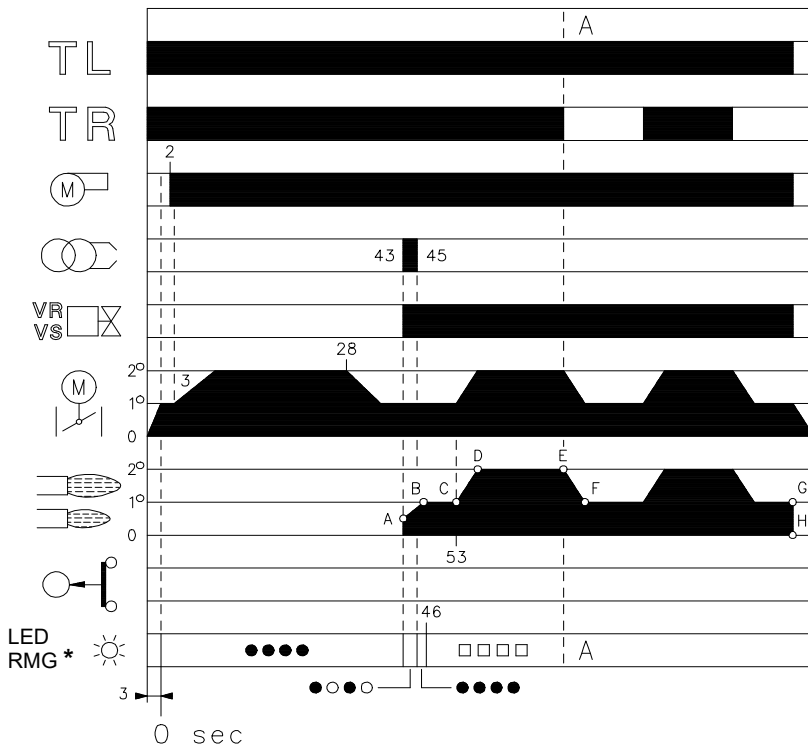


1 kPa = 10 mbar

CONTROL PRESENCIA LLAMA (C)

El quemador está dotado de un sistema de ionización para controlar la presencia de la llama. La corriente mínima para el funcionamiento de la caja de control es de 6 µA. El quemador genera una corriente netamente superior, no precisando normalmente ningún control. Sin embargo, si se desea medir la corriente de ionización, es preciso desenchufar el conector macho - hembra 24)(A) p.4 del cable de la sonda de ionización y conectar un microamperímetro de corriente continua de una baja escala de 100 µA. Atención a la polaridad.

ENCENDIDO NORMAL
(n° = segundos a partir del instante 0)

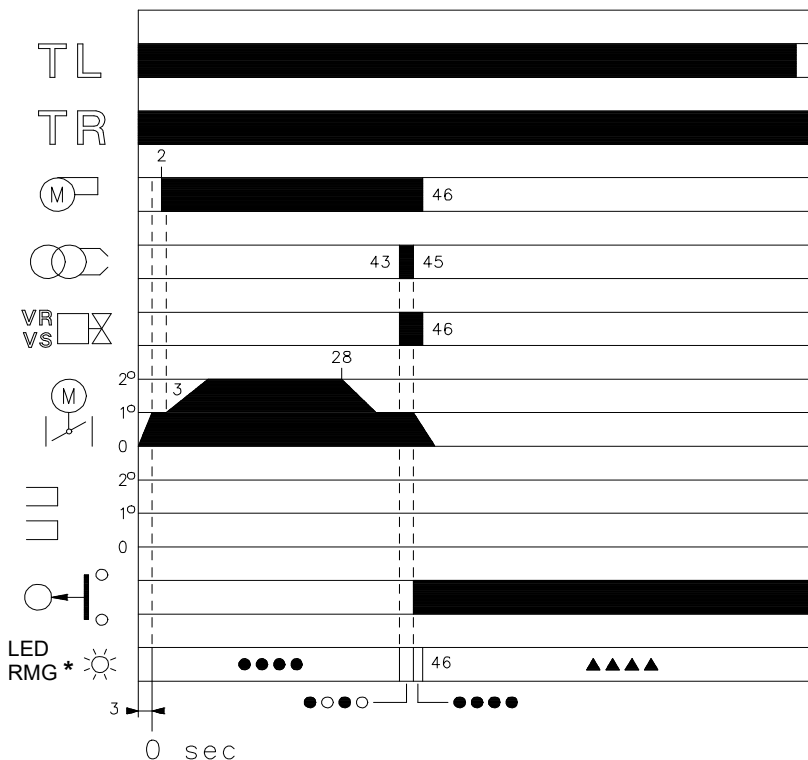


* ○ Apagado ● Amarillo □ Verde ▲ Rojo
Para mayores informaciones, véase la pág. 17.

(A)

D3028

FALTA DE ENCENDIDO



* ○ Apagado ● Amarillo ▲ Rojo
Para mayores informaciones, véase la pág. 17.

(B)

D3029

FUNCIONAMIENTO DEL QUEMADOR

PUESTA EN MARCHA DEL QUEMADOR (A)

- : Se cierra el termostato TL.
Se pone en marcha el servomotor: gira hacia la derecha hasta llegar al ángulo escogido con la leva St1. Después de alrededor de 3 s:
- 0 s : Inicia el programa la caja de control.
- 2 s : Se pone en marcha el motor ventilador.
- 3 s : Se pone en marcha el servomotor: gira hacia la derecha hasta llegar a la actuación de la leva St2. El registro del aire se sitúa en la posición de potencia de 2ª llama. Fase de prebarrido, con el caudal de aire de la potencia de 2ª llama. Duración: 25 segundos.
- 28 s : Se pone en marcha el servomotor: gira hacia la izquierda hasta llegar al ángulo escogido con la leva St1.
- 43 s : El registro del aire y la válvula de mariposa del gas se sitúan en la posición de potencia de 1.ª llama. Se genera chispa en el electrodo de encendido. Se abren las electroválvulas de seguridad VS y de regulación VR (apertura rápida). Se enciende la llama, con poca potencia, punto A. Sigue un progresivo aumento de la potencia, apertura lenta de la electroválvula VR, hasta llegar a la potencia de 1.ª llama, punto B.
- 45 s : Cesa la chispa.
- 53 s : Si el termostato TR está cerrado o sustituido por un puente, el servomotor gira hasta llegar a la actuación de la leva St2; colocando el registro del aire y el de mariposa del gas en posición de 2ª llama, trazo C-D. Finaliza el ciclo de puesta en marcha de la caja de control.

FUNCIONAMIENTO EN RÉGIMEN (A)

Instalación provista de un telemando TR

Finalizado el ciclo de puesta en marcha, el mando del servomotor pasa al termostato TR, que controla la presión o la temperatura de la caldera, punto D.

(La caja de control sigue controlando la presencia de llama y la correcta posición del presostato del aire).

- Cuando la temperatura aumenta hasta la apertura del termostato TR, el servomotor cierra el registro mariposa del gas y el del aire pasando el quemador de 2.ª a 1.ª llama (trazo E-F).
- Cuando la temperatura disminuye hasta el cierre del termostato TR, el servomotor cierra el registro mariposa del gas y el del aire pasando el quemador de 1.ª a 2.ª llama. Y así sucesivamente.
- La detención del quemador se produce cuando la petición de calor es menor de la que proporciona el quemador en 1º llama, trazo G - H. El telemando TL se abre, el Servomotor vuelve a el ángulo 0º limitado por la leva St0. El registro se cierra completamente para reducir las pérdidas de calor al mínimo.

Caldera sin termostato TR, sustituido por un puente

La puesta en marcha del quemador es del modo indicado con anterioridad. Sucesivamente, si la temperatura aumenta hasta la apertura del termostato TL, el quemador se apaga (trazo A-A del gráfico).

FALTA DE ENCENDIDO (B)

Si el quemador no se enciende, se produce el bloqueo del mismo a los 3 segundos de la apertura de la válvula de gas y a los 49 segundos del cierre del termostato TL. El LED rojo de la caja de control se enciende.

EXTINCIÓN DE LA LLAMA DURANTE EL FUNCIONAMIENTO

Si la llama se apaga durante el funcionamiento, el quemador se bloquea en 1 segundo.

PRUEBA DE SEGURIDAD – CON ALIMENTACIÓN GAS CERRADA

Para la puesta en funcionamiento en condiciones de seguridad es muy importante comprobar la correcta ejecución de las conexiones eléctricas entre las válvulas del gas y el quemador.

Para ello, después de haber comprobado que las conexiones han sido realizadas en conformidad con los esquemas eléctricos del quemador, se debe realizar un ciclo de encendido con el grifo gas cerrado (dry test).

- 1 La válvula manual del gas debe estar cerrada con dispositivo de bloqueo/desbloqueo (Procedimiento "lock out/tag out").
- 2 Asegurar el cierre de los contactos eléctricos límite del quemador
- 3 Asegurar el cierre del contacto del presostato gas mínimo
- 4 Efectuar una tentativa de encendido del quemador

El ciclo de encendido se deberá realizar según las siguientes fases:

- Encendido del motor del ventilador para la pre-ventilación
- Ejecución del control de estanqueidad válvulas gas, si está previsto.
- Completamiento de la pre-ventilación
- Alcance del punto de encendido
- Alimentación del transformador de encendido
- Alimentación de las válvulas del gas.

Con el gas cerrado, el quemador no podrá encenderse y su caja de control se posicionará en condición de parada o bloqueo de seguridad.

La alimentación efectiva de las válvulas del gas se podrá comprobar con la introducción de un multímetro; algunas válvulas están dotadas de señales luminosas (o indicadores de posición cierre/apertura) que se activan en el momento de su alimentación eléctrica.



EN CASO DE QUE LA ALIMENTACIÓN ELÉCTRICA DE LAS VÁLVULAS DEL GAS SE PRODUZCA EN MOMENTOS NO PREVISTOS, NO ABRIR LA VÁLVULA MANUAL, INTERRUPTIR LA ALIMENTACIÓN ELÉCTRICA, COMPROBAR LOS CABLEADOS; CORREGIR LOS ERRORES Y REALIZAR NUEVAMENTE TODA LA PRUEBA.

COMPONENTES DE SEGURIDAD

Los componentes de seguridad se deben sustituir según la finalización del ciclo de vida indicado en la siguiente tabla. Los ciclos de vida especificados no se refieren a los términos de garantía indicados en las condiciones de entrega o de pago.

Componente de seguridad	Ciclo de vida
Control llama	10 años o 250.000 ciclos de funcionamiento
Sensor llama	10 años o 250.000 ciclos de funcionamiento
Válvulas gas (tipo solenoide)	10 años o 250.000 ciclos de funcionamiento
Presostatos	10 años o 250.000 ciclos de funcionamiento
Regulador de presión	15 años
Servomotor (leva electrónica) (se la hay)	10 años o 250.000 ciclos de funcionamiento
Válvula aceite (tipo solenoide) (si la hay)	10 años o 250.000 ciclos de funcionamiento
Regulador aceite (si lo hay)	10 años o 250.000 ciclos de funcionamiento
Tubos/ racores aceite (metálicos) (si los hay)	10 años
Tubos flexibles (si los hay)	5 años o 30.000 ciclos de presión
Turbina ventilador	10 años o 500.000 arranques

CONTROLES FINALES (con el quemador en funcionamiento):

- desconectar un cable del presostato gas de mínima;
 - abrir el termostato/presostato TL;
 - abrir el termostato/presostato TS;
- el quemador debe detenerse.
- Desconectar el tubo de aducción aire en el presostato;
 - desconectar el cable de la sonda de ionización;

el quemador debe bloquearse.

Comprobar que los bloqueos mecánicos de los dispositivos de regulación estén bien apretados.

MANTENIMIENTO

El quemador precisa un mantenimiento periódico que debe ser ejecutado por personal especializado **y de conformidad con las leyes y normativas locales.**

El mantenimiento periódico es fundamental para un buen funcionamiento del quemador; y evita asimismo los consumos de combustible excesivos y, por lo tanto, la emisión de agentes contaminantes.

Antes de realizar cualquier operación de limpieza o control, apague la alimentación eléctrica del quemador utilizando el interruptor principal del sistema.

Combustión

Efectuar el análisis de los gases de combustión que salen de la caldera. Las diferencias significativas respecto al último análisis indicarán los puntos donde deberán centrarse las operaciones de mantenimiento.

Fugas de gas

Comprobar que no haya fugas de gas en el conducto contador-quemador.

Filtro de gas

Sustituir el filtro del gas cuando esté sucio (véase instrucción rampa).

Cabezal de combustión

Abrir el quemador y verificar que todas las partes del cabezal de combustión estén intactas, no estén deformadas por las altas temperaturas, no tengan suciedad proveniente del ambiente y estén correctamente posicionadas. En caso de duda, desmonte el codo.

Servomotor

Desbloquear la leva 4)(A) p.11, girando 90° la ranura 2)(A) p.11 y controlar manualmente que su rotación, hacia adelante y hacia atrás, se efectúe con facilidad. Bloquear de nuevo la leva 4).

Quemador

Verificar que no haya un desgaste anormal o tornillos flojos en los mecanismos que controlan el registro del aire y la válvula de mariposa del gas. Igualmente, los tornillos que fijan los cables eléctricos en la regleta del quemador deben estar bien apretados.

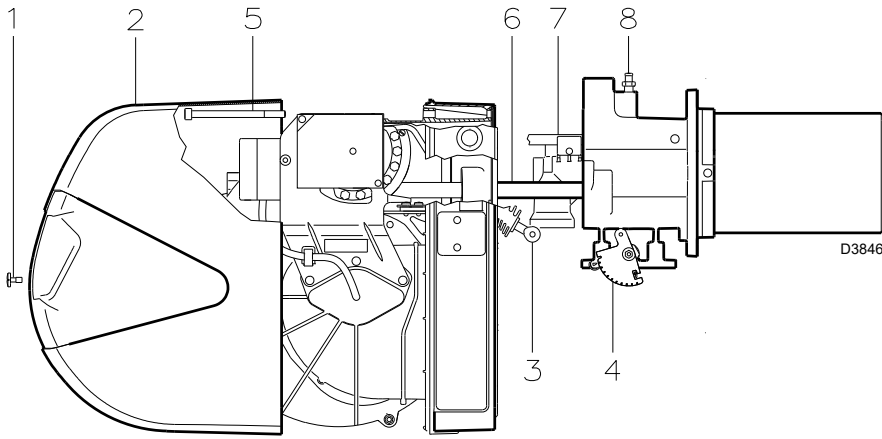
Limpiar exteriormente el quemador, en particular las rótulas y la leva 4)(A) p.11.

Combustión

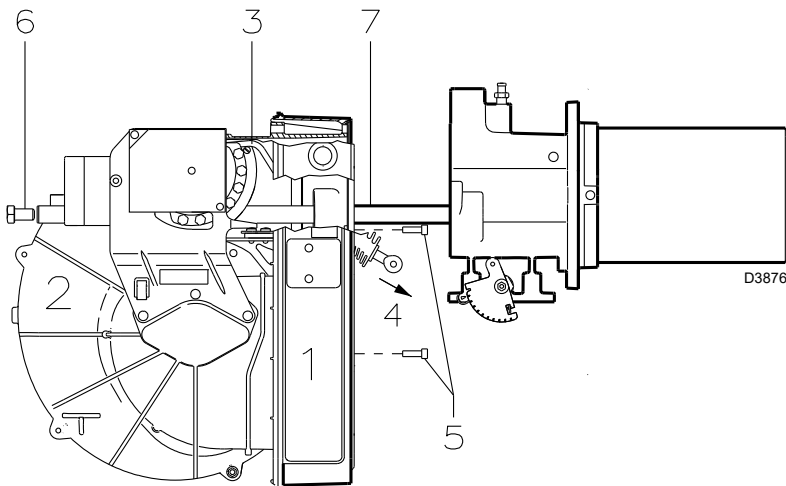
Regular el quemador si los valores de la combustión obtenidos al inicio de la intervención no cumplen las normas en vigor o no corresponden a una buena combustión.

Anotar en una ficha de control los nuevos valores de la combustión; serán útiles para controlar los sucesivos.

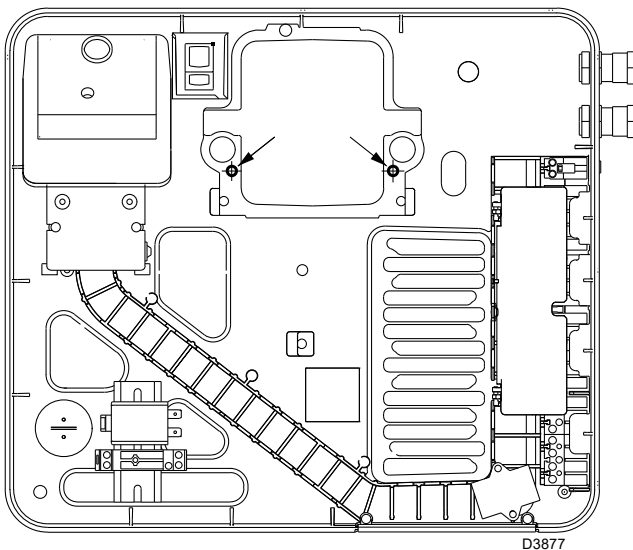
APERTURA DEL QUEMADOR



(A)



(B)



(C)

PARA ABRIR EL QUEMADOR (A):

- Cortar la alimentación eléctrica.
- Aflojar el tornillo 1) y extraer la cubierta 2).
- **Soltar la rótula 3) del sector graduado 4).**
- Quitar el tornillo 5) sólo en el caso de modelos con cabezal largo, hacer retroceder el quemador en las guías 6) aproximadamente 100 mm. Extraer los cables de la sonda y del electrodo y luego hacer retroceder completamente el quemador.

En este punto es posible extraer el distribuidor de gas 7), después de haber desenroscado el tornillo 8).

Quite los tornillos 2)(C) p. 7 y enrosque los dos alargadores 25)(A) p.4 suministrados de serie. Vuelva a apretar los dos tornillos 2)(C) p.7 en la terminal de los alargadores.



ATENCIÓN

Proceda al montaje de la parte interna del cabezal de combustión apretando el tornillo 8)(A) con par de apriete igual a $4 \pm 6 \text{ Nm}$.

PARA CERRAR EL QUEMADOR (A):

- Empujar el quemador hasta aproximadamente 100 mm del collarín.
- Volver a conectar los cables y desplazar el quemador hasta que haga tope.
- Volver a colocar el tornillo 5) y tirar delicadamente hacia afuera los cables de sonda y electrodo, hasta tensarlos ligeramente.
- Volver a enganchar la rótula 3) en el sector graduado 4).
- En los modelos de cabezal largo, desenrosque los alargadores y vuelva a colocarlos en su alojamiento; atornille los tornillos 2)(C) p.7 a las guías.
- Volver a colocar el envoltorio 2) y fijarlo con el tornillo 1).

MANTENIMIENTO CUADRO ELÉCTRICO

Si es necesario el mantenimiento del cuadro eléctrico 1)(B) se puede retirar sólo el grupo de ventilación 2)(B) y permitir así un más cómodo acceso a los componentes eléctricos.

Con el quemador abierto como en la fig. (A), desenganche el tirante 3)(B), quitando los tornillos de la leva de perfil variable, y extraerlo de la extremidad 4)(B).

Desconecte ahora los cableados del presostato aire, servomotor y motor ventilador.

Retire después los tres tornillos 5)(B) que se encuentran en la chapa de protección.

Quitando los dos tornillos 6)(B) se puede extraer el grupo de ventilación 2)(B) de las guías 7)(B).

Por último, se pueden usar 2 de los 3 tornillos 5)(B) para fijar el cuadro eléctrico al collarín, en los puntos indicados en la figura fig. (C), y realizar a continuación las operaciones de mantenimiento.

DIAGNÓSTICO DEL PROGRAMA DE PUESTA EN MARCHA

Durante el programa de puesta en marcha, en la siguiente tabla se indican las explicaciones:

TABLA CÓDIGO COLOR	
Secuencias	Código color
Preventilación	● ● ● ● ● ● ● ● ● ●
Etapas de encendido	● ○ ● ○ ● ○ ● ○ ●
Funcionamiento con llama ok	□ □ □ □ □ □ □ □ □ □
Funcionamiento con señal de llama débil	□ ○ □ ○ □ ○ □ ○ □
Alimentación eléctrica inferior que ~ 170V	● ▲ ● ▲ ● ▲ ● ▲ ●
Bloqueo	▲ ▲ ▲ ▲ ▲ ▲ ▲ ▲ ▲
Luz extraña	▲ □ ▲ □ ▲ □ ▲ □ ▲
Leyenda:	○ Apagado ● Amarillo □ Verde ▲ Rojo

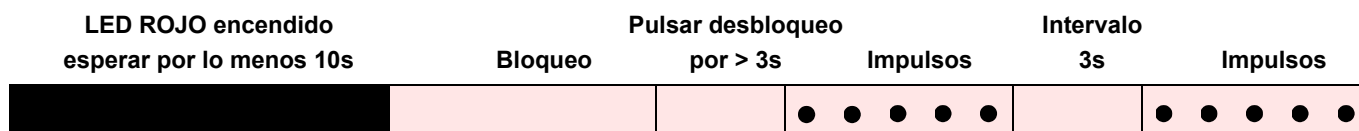
DESBLOQUEO DE LA CAJA DE CONTROL Y USO DE LA FUNCIÓN DE DIAGNÓSTICO

La caja de control suministrada tiene una función de diagnóstico con la que es posible individualizar fácilmente las posibles causas de un problema de funcionamiento (señalización: **LED ROJO**).

Para utilizar dicha función hay que esperar 10 segundos como mínimo desde el momento de la puesta en condición de seguridad (**bloqueo**), y luego oprimir el botón de desbloqueo.

La caja de control genera una secuencia de impulsos (cada 1 segundo) que se repite a intervalos constantes de 3 segundos.

Una vez visualizado el número de parpadeos e identificada la posible causa, hay que restablecer el sistema, manteniendo apretado el botón durante un tiempo comprendido entre 1 y 3 segundos.



A continuación se mencionan los métodos posibles para desbloquear la caja de control y para usar la función de diagnóstico.

DESBLOQUEO DE LA CAJA DE CONTROL

Para desbloquear la caja de control, proceda de la siguiente manera:

- Oprima el botón durante un tiempo comprendido entre 1 y 3 segundos.
El quemador arranca después de 2 segundos de haber soltado el botón.
Si el quemador no arranca, hay que controlar el cierre del termostato límite.

DIAGNÓSTICO VISUAL

Indica el tipo de desperfecto del quemador que produce el bloqueo.

Para ver el diagnóstico, proceda de la siguiente manera:

- Mantenga apretado el botón durante más de 3 segundos desde el momento en que el led rojo se encendió (bloqueo del quemador).
El final de la operación será indicado por un parpadeo amarillo.
Suelte el botón cuando se produzca dicho parpadeo. El número de parpadeos indica la causa del problema de funcionamiento, según el código que se indica en la tabla de la página 18.

DIAGNÓSTICO SOFTWARE

Suministra el análisis de la vida del quemador mediante una conexión óptica al PC, indicando las horas de funcionamiento, número y tipos de bloqueos, número de serie de la caja de control, etc.

Para ver el diagnóstico, proceda de la siguiente manera:

- Mantenga apretado el botón durante más de 3 segundos desde el momento en que el led rojo se encendió (bloqueo del quemador).
El final de la operación será indicado por un parpadeo amarillo.
Suelte el botón durante 1 segundo y luego oprímalo de nuevo durante más de 3 segundos hasta que se produzca otro parpadeo amarillo.
Al soltar el botón, el led rojo parpadeará intermitentemente con una frecuencia elevada: sólo en este momento se podrá conectar la conexión óptica.

Al concluir la operación hay que restablecer las condiciones iniciales de la caja de control, siguiendo los pasos de desbloqueo antedichos.

PRESIÓN DEL BOTÓN	ESTADO DE LA CAJA DE CONTROL
De 1 a 3 segundos	Desbloqueo de la caja de control sin visualización del diagnóstico visual.
Más de 3 segundos	Diagnóstico visual de la condición de bloqueo: (el led parpadea cada 1 segundo).
Más de 3 segundos desde la condición de diagnóstico visual	Diagnóstico software mediante la ayuda de la interfaz óptica y PC (posibilidad de visualizar las horas de funcionamiento, desperfectos, etc.)

La secuencia de los impulsos emitidos por la caja de control identifica los posibles tipos de avería que se mencionan en la página 18.

Señal	Anomalía	Causa probable	Solución
2 parpadeos ● ●	Superada la pre-ventilación y el tiempo de seguridad, el quemador se bloquea sin aparecer la llama	1 - La electroválvula de funcionamiento deja pasar poco gas 2 - Una de las dos electroválvulas no se abre. 3 - Presión gas demasiado baja 4 - Electrodo de encendido mal regulado 5 - Electrodo a masa para aislante roto 6 - Cable de alta tensión defectuoso. 7 - Cable de alta tensión deformado por la alta temperatura 8 - Transformador de encendido defectuoso 9 - Conexiones eléctricas válvulas o transformador de encendido incorrectas 10 - Caja de control defectuosa 11 - Una válvula antes de la rampa de gas, cerrada 12 - Aire en las tuberías 13 - Válvulas de gas no conectadas o con bobina interrumpida	Aumentarlo Sustituirlas Aumentarla en el regulador Regularlo Sustituirlo Sustituirlo Sustituirlo y protegerlo Sustituirlo Comprobarlas Sustituirla Abrirla Purgarlo Verificar las conexiones o sustituir bobina
3 parpadeos ● ● ●	El quemador no arranca y aparece el bloqueo	14 - Presostato aire en posición de funcionamiento	Regularlo o sustituirlo
	El quemador arranca y luego se bloquea	- El presostato aire no conmuta por presión aire insuficiente: 15 - Presostato de aire mal regulado 16 - Tubo toma presión del presostato obstruido 17 - Cabezal mal regulado 18 - Alta depresión en el hogar	Regularlo o sustituirlo Limpiarlo Regularlo Conectar presostato aire a la aspiración ventilador
	Bloqueo durante la pre-ventilación	19 - Contactor mando motor defectuoso. (sólo versión trifásica) 20 - Motor eléctrico defectuoso. 21 - Bloqueo motor (sólo versión trifásica)	Sustituirlo Sustituirlo Sustituirlo
4 parpadeos ● ● ● ●	El quemador arranca y luego se bloquea	22 - Simulación de llama.	Sustituir la caja de control
	Bloqueo al pararse del quemador	23 - Hay llama en el cabezal de combustión o simulación de llama	Eliminar permanencia de llama o sustituir caja de control
6 parpadeos ● ● ● ● ● ●	El quemador arranca y luego se bloquea	24 - Servomotor defectuoso o mal regulado.	Regularlo o sustituirlo
7 parpadeos ● ● ● ● ● ● ●	El quemador se bloquea al aparecer la llama	25 - La electroválvula de funcionamiento deja pasar poco gas 26 - Sonda de ionización mal regulada. 27 - Ionización insuficiente (inferior a 5 A) 28 - Sonda a masa 29 - Insuficiente puesta a tierra del quemador 30 - Fase y neutro invertidos. 31 - Avería del circuito de detección llama	Aumentarlo Regularla Controlar posición sonda Separarla o sustituir cable Revisar la puesta a tierra Invertir Sustituir la caja de control
	Bloqueo del quemador con el paso de 1° a 2° llama o de 2° a 1° llama	32 - Demasiado aire o poco gas.	Regular el aire y el gas
	En funcionamiento, el quemador se bloquea	33 - Sonda o cable ionización a masa	Sustituir la(s) pieza(s) deteriorada(s)
10 parpadeos ● ● ● ● ● ● ● ● ● ●	El quemador no arranca y aparece el bloqueo	34 - Conexiones eléctricas incorrectas.	Comprobarlas
	El quemador se bloquea	35 - Caja de control defectuosa 36 - Presencia de perturbaciones electromagnéticas en las líneas de termostatos 37 - Presencia de perturbaciones electromagnéticas	Sustituirla Filtrarlas o eliminarlas Utilizar el kit protección contra las interferencias radio

Señal	Anomalía	Causa probable	Solución
Ningún parpadeo	El quemador no arranca	38 - Falta tensión eléctrica	Cerrar interruptores; comprobar conexiones
		39 - Un telemando de límite o de seguridad abierto	Regularlo o sustituirlo
		40 - Fusible de línea fundido	Sustituirlo
		41 - Caja de control defectuosa	Sustituirla
		42 - Falta de gas	Abrir válvulas manuales entre contador y ramba
		43 - Presión gas en red insuficiente	Contacte con la COMPAÑÍA DE GAS
		44 - El presostato gas de mínima no cierra	Regularlo o sustituirlo
		45 - Servomotor no va a la posición de mín. encendido.	Sustituirlo
	El quemador repite el ciclo de arranque sin bloquearse	46 - La presión del gas en red es cercana al valor con el cual se ha regulado el presostato gas de mín. La disminución repentina de presión que sigue a la apertura de la válvula, provoca la apertura temporánea del presostato, inmediatamente la válvula se cierra y se detiene el quemador. La presión vuelve a aumentar, el presostato se cierra y hace que se repita el ciclo de arranque. Y así sucesivamente.	Reducir la presión de intervención del presostato gas de mínima. Sustituir el cartucho del filtro gas.
Encendidos con pulsaciones		47 - Cabezal mal regulado	Regular
		48 - Electrodo de encendido mal regulado	Regularlo
		49 - Registro ventilador mal regulado, demasiado aire.	Regularlo
		50 - Potencia de encendido demasiado elevada	Reducirla
	El quemador no pasa a la 2ª llama	51 - Telemando TR no cierra.	Regularlo o sustituirlo
El quemador se detiene con el registro de aire abierto		52 - Caja de control defectuosa	Sustituirla
		53 - Servomotor defectuoso	Sustituirlo
		54 - Servomotor defectuoso	Sustituirlo

FUNCIONAMIENTO NORMAL / TIEMPO DE DETECCIÓN LLAMA

La caja de control tiene una función ulterior mediante la que es posible asegurarse del correcto funcionamiento del quemador (señal: **LED VERDE** permanentemente encendido).

Para utilizar tal función, hay que esperar al menos 10 segundos desde el instante de encendido del quemador y presionar el pulsador de la caja de control durante un tiempo mínimo de 3 segundos.

Después de haber soltado el pulsador, el LED VERDE comenzará a parpadear, como ilustra la siguiente imagen.



Los parpadeos del LED aparecen con intervalos de aproximadamente 3 segundos.

El número de parpadeos determinará el TIEMPO DE DETECCIÓN de la sonda desde la apertura de las válvulas gas, según la siguiente tabla.

SEÑAL	TIEMPO DE DETECCIÓN LLAMA
1 parpadeo ●	0.4 s
2 parpadeos ● ●	0.8 s
6 parpadeos ● ● ● ● ● ●	2.8 s

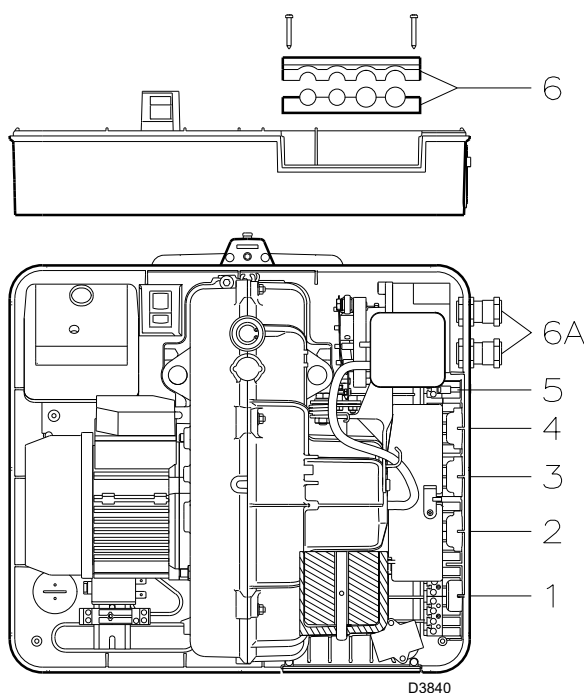
A cada arranque del quemador, se actualiza este dato. Una vez realizada la lectura, apretando brevemente el pulsador de la caja de control, el quemador repite el ciclo de arranque.

ATENCIÓN

Si resulta un tiempo > 2 s se tiene el encendido retrasado. Controle la regulación del freno hidráulico en la válvula gas y la regulación registro de aire y cabezal de combustión.

KIT INTERFACE ADAPTER RMG TO PC Código 3002719

APÉNDICE



Conexión eléctrica



NOTAS

Las conexiones eléctricas se deben realizar según las normas vigentes del país de destino y por personal cualificado.

Riello S.p.A. declina toda responsabilidad por modificaciones o conexiones diferentes de las indicadas en estos esquemas.

Utilizar cables flexibles según norma EN 60 335-1.

Todos los cables que se conecten al quemador deben pasar por los pasacables.

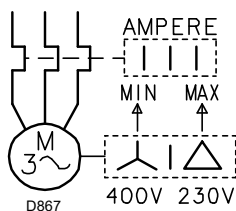
El uso de los pasacables se puede realizar de formas diferentes; a modo de ejemplo, indicamos la forma siguiente:

RS 34-44 MZ monofásico

- 1- Conector hembra de 7 contactos para alimentación monofásica, termostato/presostato TL
- 2- Conector hembra de 6 contactos para válvula de gas, presostato gas o dispositivo para el control de estanqueidad válvulas
- 3- Conector hembra de 4 contactos para termostato/presostato TR
- 4- Conector hembra de 5 contactos no utilizada
- 5- Conector hembra de 2 contactos para accesorio presostato gas de máx.
- 6 - 6A Predisposiciones para racores (Agujear en caso de necesidad de los racores 6A)

RS 44 MZ trifásico

- 1- Conector hembra de 7 contactos para alimentación monofásica, termostato/presostato TL
- 2- Conector hembra de 6 contactos para válvula de gas, presostato gas o dispositivo para el control de estanqueidad válvulas
- 3- Conector hembra de 4 contactos para termostato/presostato TR
- 4- Conector hembra de 5 contactos para la alimentación trifásica
- 5- Conector hembra de 2 contactos para accesorio presostato gas de máx.
- 6 - 6A Predisposiciones para racores (Agujear en caso de necesidad de los racores 6A)



CALIBRACIÓN RELÉ TÉRMICO (RS 44 MZ TRIFÁSICO)

Sirve para evitar que se quemara el motor por un fuerte aumento del consumo debido a la ausencia de una fase.

- Si el motor es alimentado en estrella, **400 V**, el cursor debe situarse en "MIN".
- Si el motor es alimentado a triángulo, **230 V**, el cursor debe situarse en "MAX".

Aunque la escala del relé térmico no comprenda el consumo nominal del motor a 400 V, la protección está igualmente asegurada.

NOTAS

- El modelo RS 44 MZ trifásico sale de fábrica previsto para una alimentación eléctrica de **400V**. Si la alimentación es a **230V**, cambiar el conexionado del motor (de estrella a triángulo) y la regulación del relé térmico.
- Los quemadores RS 34-44 MZ han sido homologados para funcionar de modo intermitente. Ello significa que deben pararse "por Norma" al menos una vez cada 24 horas para permitir que la caja de control efectúe una verificación de la eficacia al arranque. Normalmente la detención del quemador está asegurada por el termostato/presostato de la caldera. Si no fuese así, debería colocarse en serie con el interruptor IN, un interruptor horario que parase el quemador al menos una vez cada 24 horas.
- Los quemadores RS 34-44 MZ salen de fábrica preparados para el funcionamiento de 2 llamas y por tanto debe conectarse el termostato/presostato TR. En cambio, si se desea que el quemador tenga un funcionamiento monoestadio, introducir, en sustitución del termostato/presostato TR, un puente entre los bornes T6 - T8 del conector macho X4.



Atención:

- No invertir el neutro con la fase en la línea de alimentación eléctrica. la inversión provocaría un bloqueo por fallo en el encendido.
- Sustituir los componentes sólo con recambios originales.

DECLARAÇÃO DE CONFORMIDADE A.R. 8/01/2004 & 17/07/2009 – Bélgica

Produtor: RIELLO S.p.A.
I - 37045 Legnago (VR)
Tel. +39.0442.630111

Colocada em circulação por:

RIELLO NV
VAN MARCKE HQ
LAR Blok Z 5,
B-8511 Kortrijk (Aalbeke) BE
Tel. +32 56 23 7511
e-mail: riello@vanmarcke.be

URL. www.vanmarcke.com

Certifica-se com a presente que a série de equipamentos especificada a seguir está conforme ao modelo do tipo descrito na declaração de conformidade CE, e é produzida e colocada em circulação em conformidade aos pedidos definidos no Decreto-lei de 8 de Janeiro de 2004 e 17 Julho 2009.

Tipo de produto: Queimador a gás com ar insuflado

		Modelo	
		883 T	884 T
Valores medidos *	média NOx (mg/kWh)	103	89
	CO max (mg/kWh)	7	2

* Funcionamento a gás natural (Fam. 2)

Norma aplicada: EN 676 e A.R. de 8 de Janeiro de 2004 - 17 Julho 2009

Organismo de controlo: TÜV SÜD Industrie Service GmbH
Ridlerstrase, 65
80339 Munchen DEUTSCHLAND

Declaração do fabricante

RIELLO S.p.A. declara que os seguintes produtos respeita os valores limite dos NOx impostos pela normativa alemã "1. BImSchV revisão 26.01.2010".

Produto	Tipo	Modelo	Potência
Queimador a gás com ar insuflado	884 T	RS 44 MZ	80 - 550 kW

- O queimador é **munido de marcação CE** e conforme aos requisitos essenciais das seguintes Directivas:
 - CE Reg. N.: **0085BR0381** segundo 2016/426/UE;
 - Directiva Compatibilidade Electromagnética 2014/30/UE;
 - Directiva Baixa tensão 2014/35/UE;
 - Directiva Máquinas 2006/42/CE.
- O queimador responde ao grau de protecção IP 40 segundo EN 60529.

IDENTIFICAÇÃO

A Chapa de identificação do produto contém o número de matrícula, o modelo e os principais dados técnicos e de rendimentos. A alteração, remoção, a falta da Chapa de identificação não consente a identificação segura do produto e torna dificultosa e/ou perigosa qualquer operação de instalação e de manutenção.

ADVERTÊNCIAS GERAIS

Para garantir uma combustão com uma taxa mínima de emissões poluidoras, as dimensões e o tipo de câmara de combustão do gerador de calor, devem corresponder a valores bem definidos.

Portanto, antes de escolher este tipo de queimador para associá-lo com uma caldeira é aconselhável consultar o Serviço Técnico de Assistência.

O pessoal habilitado é aquele que possui os requisitos técnicos e profissionais indicados pela lei de 5 de Março de 1990 n° 46. A organização comercial dispõe de uma rede capilar de agências e serviços técnicos cujo pessoal participa periodicamente a cursos de Instrução e actualização no Centro de Formação empresarial.

Este queimador deve ser destinado somente ao uso para o qual foi expressamente realizado.

É excluída qualquer responsabilidade contratual e extracontratual do fabricante pelos danos causados a pessoas, animais e coisas por erros na instalação e calibragem do queimador, por uso impróprio, erróneo e irracional, por não observância do manual de instruções entregue com o próprio queimador e pela intervenção de pessoal não habilitado.

INFORMAÇÕES PARA O UTILIZADOR

No caso se verificasse anomalias no acendimento ou no funcionamento, o queimador efectuará uma “paragem de segurança”, identificado com a sinalização vermelha de bloqueio do queimador. Para restabelecer as condições de arranque premer o botão de desbloqueio. No momento em que o queimador começa funcionar de novo, a luz vermelha desliga-se.

A dita operação pode ser repetida ao máximo por 3 vezes. No caso de repetidas “paragens de segurança” impõe a intervenção do Serviço Técnico de Assistência.

REGRAS FUNDAMENTAIS DE SEGURANÇA

- É proibido o uso do aparelho por parte de crianças ou pessoas inexperientes.
- É rigorosamente proibido tapar as grelhas de aspiração ou de dissipação e a abertura de ventilação do local onde está instalado o aparelho com farrapos, papéis ou outro tipo de material.
- O pessoal não autorizado está proibido de efectuar qualquer tipo de reparação do aparelho.
- É perigoso puxar ou torcer os cabos eléctricos.
- É proibido efectuar qualquer operação de limpeza antes de ter desligado o aparelho da rede de alimentação eléctrica.
- Não efectuar limpezas do queimador nem nas suas peças com substâncias facilmente inflamáveis (ex. gasolina, álcool, etc.).
A limpeza da capa deve ser efectuada somente com água ensaboada.
- Não apoiar objectos sobre o queimador.
- Não deixar contentores e substâncias inflamáveis no local onde está instalado o aparelho.

Em algumas partes do manual são utilizados os símbolos:



ATENÇÃO = para acções que requerem um particular cuidado e uma preparação adequada.



PROIBIDO = para acções que **NÃO DEVEM** absolutamente ser executadas.

DADOS TÉCNICOS	página 2
Versões construtivas	2
Acessórios	3
Descrição do queimador	4
Embalagem - Peso	4
Dimensões máximas	4
Forma de fornecimento	4
Campos de trabalho	5
Caldeira de ensaio	5
Caldeiras comerciais	5
Pressão do gás	6
INSTALAÇÃO	7
Posição de funcionamento	7
Placa da caldeira	7
Comprimento do tubo de fogo	7
Fixação do queimador à caldeira	7
Regulação do cabeçal de combustão	8
Linha de alimentação de gás	9
Regulações prévia ao acendimento	10
Servomotor	10
Arranque do queimador	10
Acendimento do queimador	10
Regulação do queimador:	11
Determinação da potência de acendimento	11
1 - Potência do queimador na 2ª chama	11
2 - Potência do queimador na 1ª chama	12
3 - Potências intermédias	12
4 - Pressostato de ar	13
5 - Pressostato gás de mínima	13
Controlo de presença de chama	13
Funcionamento do queimador	14
Controlo final	15
Manutenção	15
Manutenção quadro eléctrico	16
Anomalia - Causa Provável - Solução	18
Funcionamento normal / tempo de observação da chama	19
Apêndice	20
Esquema quadro eléctrico	21

Nota

As figuras mencionadas no texto identificam-se da seguinte forma:

- 1)(A) = Pormenor 1 da figura A, na mesma página que o texto;
- 1)(A) p.4 = Pormenor 1 da figura A, página 4.

INTRODUÇÃO

O manual de instrução fornecido junto com o queimador:

- é parte integrante e essencial do produto e não deve ser separado do mesmo; portanto, deve ser conservado com cuidado caso se necessite consultá-lo, e deve acompanhar o queimador se este for cedido a um outro proprietário ou usuário, ou em caso de transferência a um outro estabelecimento. Em caso de dano ou perda, de ser pedido um outro exemplar ao Serviço de Assistência Técnica **Riello** de Zona;
- foi realizado para ser utilizado por pessoal qualificado;
- fornece importantes indicações e advertências sobre a segurança na instalação, a colocação em funcionamento, o uso e a manutenção do queimador.

ENTREGA DA INSTALAÇÃO E DO MANUAL DE INSTRUÇÕES

Por ocasião da entrega da instalação, é necessário que:

- O manual de instruções seja entregue pelo fornecedor da instalação ao usuário, com a advertência que este seja conservado no local de instalação do gerador de calor.
- No manual de instruções estão indicados:
 - o número de matrícula do queimador;

.....

- o endereço e o número de telefone do Centro de Assistência mais próximo;

.....

.....

.....

- O fornecedor da instalação deve informar o usuário atentamente sobre:
 - o uso da instalação,
 - os eventuais ulteriores testes que forem necessários antes da activação da instalação,
 - a manutenção e a necessidade de submeter a instalação pelo menos uma vez por ano ao controlo de um funcionário do Construtor ou por um outro técnico especializado. Para garantir um controlo periódico, **Riello** recomenda-se a estipulação de um Contrato de Manutenção.

DADOS TÉCNICOS

MODELO			RS 34 MZ		RS 44 MZ		RS 44 MZ		
TIPO			883 T		884 T		884 T		
POTÊNCIA (1)	2ª chama	kW Mcal/h	125 - 390 108 - 336		203 - 550 175 - 473		203 - 550 175 - 473		
	min. 1ª chama	kW Mcal/h	45 39		80 69		80 69		
COMBUSTÍVEL			GAS NATURAL: G20 - G21 - G22 - G23 - G25						
			G20	G25	G20	G25	G20	G25	
- poder calorífico inferior		kWh/Sm ³ Mcal/Sm ³	9,45 8,2	8,13 7,0	9,45 8,2	8,13 7,0	9,45 8,2	8,13 7,0	
- densidade absoluta		kg/Sm ³	0,71	0,78	0,71	0,78	0,71	0,78	
- caudal máximo		Sm ³ /h	41	48	58	67,6	58	67,6	
- pressão a máximo caudal (2)		mbar	13,1	18,4	16,7	23,2	16,7	23,2	
FUNCIONAMENTO			<ul style="list-style-type: none"> Intermitente (mín. 1 paragem em 24 horas). 2 chamas (2 alta e baixa chama) ou 1 chama (tudo - nada) 						
UTILIZAÇÃO			Caldeiras: de água, a vapor e óleo térmico						
TEMPERATURA AMBIENTE		°C	0 - 40						
TEMPERATURA AR COMBURENTE		°C max	60						
ALIMENTAÇÃO ELÉCTRICA		V Hz	230 ~ +/-10% 50/60 - monofásica				230 - 400 com neutro ~ +/-10% 50/60 - trifásica		
MOTOR ELÉCTRICO		rpm W V	2800/3400 300 220 - 240		2820/3400 420 220 - 240		2820/3400 450 220/240-380/415		
INTENSIDADE DE ARRANQUE		A	15		17		14 - 10		
INTENSIDADE DE FUNCIONAMENTO		A	3,2		3,5		2 - 1,4		
CONDENSADOR DO MOTOR		mF/V	12,5/400		12,5/425		-		
TRANSFORMADOR DE ACENDIMENTO		V1 - V2 I1 - I2	230 V - 1 x 15 kV 1 A - 25 mA						
POTÊNCIA ELÉCTRICA ABSORVIDA		W max	600		700		800		
NÍVEL SONORO (3)	PRESSÃO ACÚSTICA	dBA	68		70		70		
	POTÊNCIA ACÚSTICA	dBA	79		81		81		

- (1) Condições de referência: Temperatura ambiente 20°C - Temperatura gás 15°C - Pressão barométrica 1013 mbar - Altitude acima do nível do mar 0 metros.
- (2) Pressão na tomada 7)(A) p.4 com pressão zero na câmara de combustão.
- (3) Pressão acústica medida em laboratório de combustão da empresa fabricante, com o queimador funcionando em caldeira de ensaio à máxima potência. A potência acústica é medida com o método "Free Field", previsto pela Norma EN 15036, e segundo uma precisão de medida "Accuracy: Category 3", como descrito pela Norma EN ISO 3746.

VERSÕES CONSTRUTIVA

MODELO	ALIMENTAÇÃO ELÉCTRICA	COMPRIMENTO TUBO DE FOGO mm
RS 34 MZ	Monofásico	216
	Monofásico	351
RS 44 MZ	Monofásico	216
	Monofásico	351
	Trifásico	216
	Trifásico	351

CATEGORIA GAS

CATEGORIA	PAÍS
I2E(R)	BE
I2H	LV
I3B/P	CY, MT
I3P	BE
I12E3B/P	LU, PL
I12ELL3B/P	DE
I12Er3P	FR
I12H3B/P	AT, CH, CZ, DK, EE, FI, GR, HU, IS, IT, LT, NO, SE, SI, SK
I12H3P	ES, GB, IE, PT
I _{2L} - I _{2E} - I ₂ (43,46 ÷ 45,3 MJ/m ³ (0°C))	NL

ACESSÓRIOS (por encomenda):**• KIT PROTECÇÃO CONTRA AS RÁDIO-INTERFERÊNCIAS**

No caso de instalação do queimador em ambientes especiais sujeitos a rádio-interferências (emissão de sinais superiores a 10 V/m) devido a presença de INVERTER ou em aplicações onde os comprimentos das conexões do termóstato superem os 20 metros, está disponível um kit de protecção como interface entre a aparelhagem e o queimador.

QUEIMADOR	RS 34-44 MZ
Código	3010386

• KIT CABEÇA COMPRIDA

QUEIMADOR	RS 34 MZ	RS 44 MZ
Código	3010428	3010429

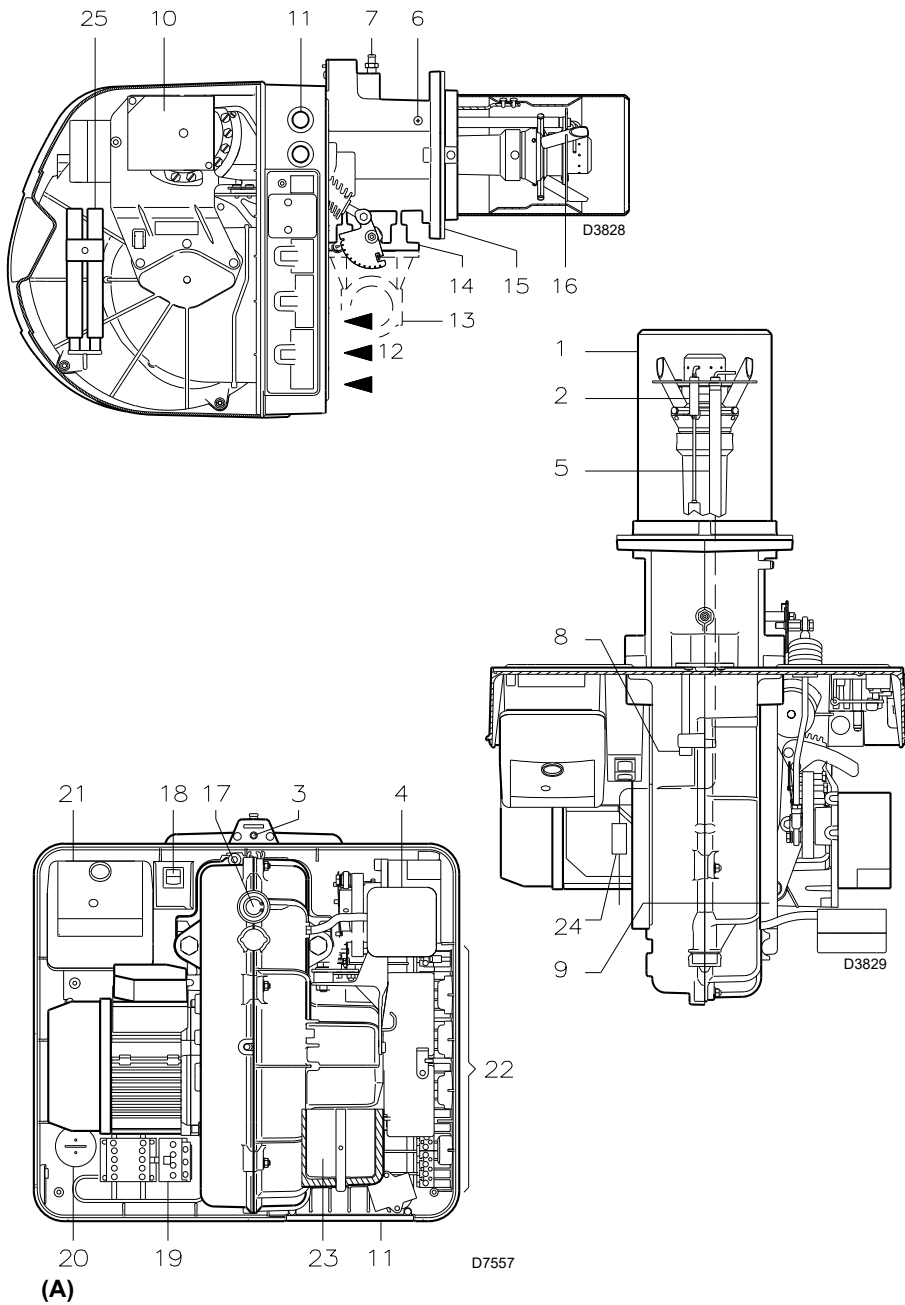
• KIT PARA FUNCIONAMENTO COM GPL: O kit permite que os queimadores RS 34-44 MZ funcionem com GPL.

QUEIMADOR	RS 34 MZ	RS 44 MZ
Potência kW	80/125 - 390 kW	120/200 - 530 kW
Comprimento do tubo de fogo mm	216 - 351	216 - 351
Código	3010423	3010424

• KIT PRESSOSTATO GÁS DE MÁXIMA	Cód. 3010418
• KIT CONTACTOS LIMPOS	Cód. 3010419
• KIT POST-VENTILAÇÃO	Cód. 3010452
• KIT INTERRUPTOR DIFERENCIAL	Cód. 3010448
• KIT VENTILAÇÃO CONTÍNUA	Cód. 3010449
• KIT CONTADOR DE HORAS	Cód. 3010450
• KIT INTERFACE ADAPTER RMG TO PC	Cód. 3002719

• LINHAS DE GÁS A EMPARELHAR AO QUEIMADOR CONFORME A NORMA EN 676 (completas, com válvulas, regulador de pressão e filtro): ver pág. 8.

NOTA: O instalador é responsável pela eventual incorporação de dispositivos de segurança não previstos neste manual.



DESCRIÇÃO DO QUEIMADOR(A)

- 1 Cabeçal de combustão
- 2 Electrodo de acendimento
- 3 Parafuso de regulação do cabeçal de combustão
- 4 Pressostato de ar (tipo diferencial)
- 5 Sonda para o controlo de presença chama
- 6 Tomada de pressão do ar
- 7 Tomada de pressão do gás e parafuso de fixação do cabeçal
- 8 Parafuso de fixação do ventilador ao suporte do queimador
- 9 Guias para abertura do queimador e inspeção do cabeçal de combustão
- 10 Servomotor, para o controlo da válvula borboleta do gás e, através de uma came de perfil variável, o registo do ar.
Quando o queimador está parado, a comporta de ar está completamente fechada de forma a reduzir ao mínimo a dispersão térmica da caldeira devido ao tipo de conduta de fumos que toma o ar da boca de aspiração do ventilador.
- 11 Zonas para passagem cabos eléctricos
- 12 Entrada de ar do ventilador
- 13 Condução de entrada de gás
- 14 Válvula borboleta gás
- 15 Flange para fixação à caldeira
- 16 Disco estabilizador da chama
- 17 Visor chama
- 18 Dois interruptores:
 - um "paragem-arranque"
 - um para "1ª chama - 2ª chama"
- 19 Contactor motor e relé térmico com botão de desbloqueio (RS 44 MZ trifásica)
- 20 Condensador motor (RS 34-44 MZ monofásica)
- 21 Caixa de controlo com piloto luminoso de bloqueio e botão de desbloqueio
- 22 Tomadas para a conexão eléctrica
- 23 Comporta de ar
- 24 Ficha do cabo da sonda de ionização
- 25 Extensões guias (versão cabeça comprida)

Existem duas possibilidades de bloqueio do queimador:

- **BLOQUEIO DA CAIXA DE CONTROLO:**
ao ficar aceso o botão da caixa 21)(A) indica que o queimador está bloqueado.
Para desbloquear, premir o botão.
- **BLOQUEIO MOTOR (RS 44 MZ trifásica):**
alimentação eléctrica de três fases, para desbloquear premir o botão do relé térmico 19)(A).

EMBALAGEM - PESO (B) - medidas aproximadas

- Os queimadores são fornecidos em embalagem de cartão, cujas dimensões são especificadas na tabela (B).
- O peso do queimador completo com a embalagem é indicado na tabela (B).

DIMENSÕES MÁXIMAS (C) - medidas aproximadas

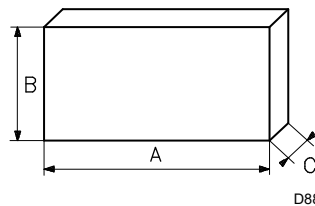
As dimensões máximas do queimador são indicadas em fig.(C).

Lembrar-se de que, para inspeccionar o cabeçal de combustão o queimador deve estar em posição atrasada.

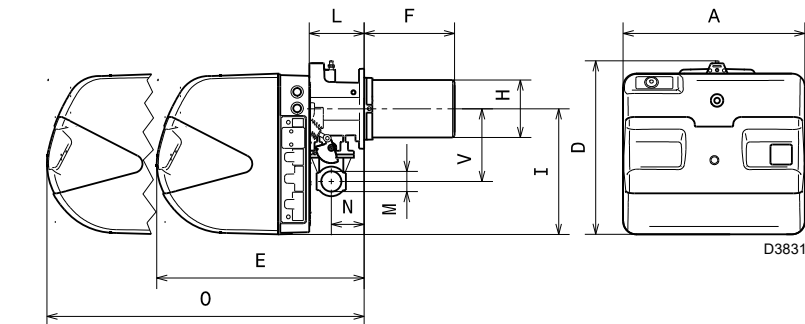
FORMA DE FORNECIMENTO

- 1 - Flange de ligação à linha de gás
- 1 - Junta da flange
- 4 - Parafusos M 8 x 25 de fixação da flange
- 4 - Parafusos M 8 x 25 para fixar a flange do queimador à caldeira
- 1 - Junta isolante
- 3 - Fichas para conexões eléctricas (RS 34-44 MZ monofásica)
- 4 - Fichas para ligação eléctrica (RS 44 MZ trifásica)
- 1 - Instruções
- 1 - Lista de peças de substituição

mm	A	B	C	kg
RS 34 MZ	1000	500	485	32
RS 44 MZ	1000	500	485	33



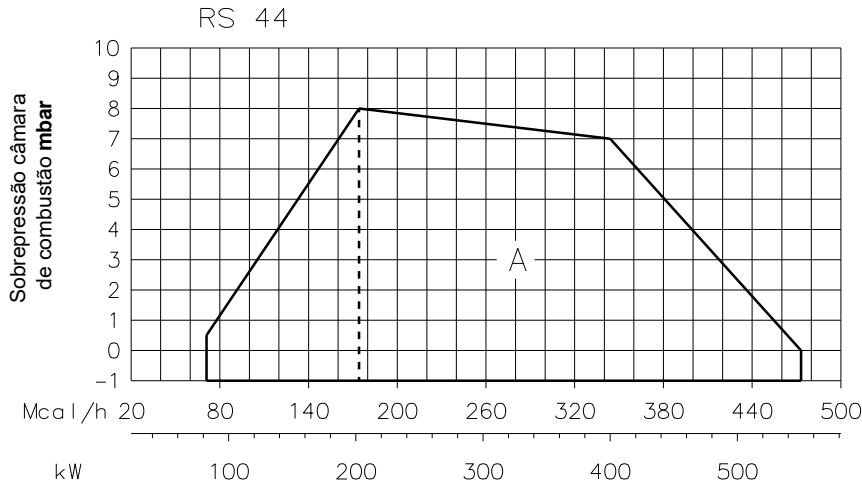
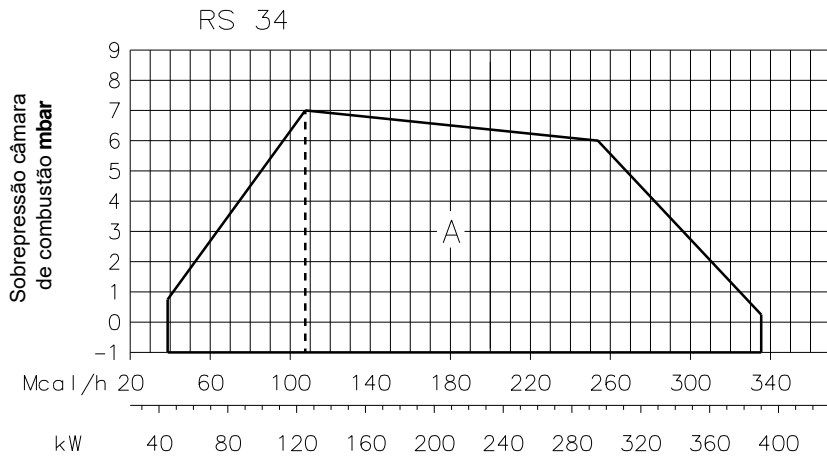
(B)



(C)

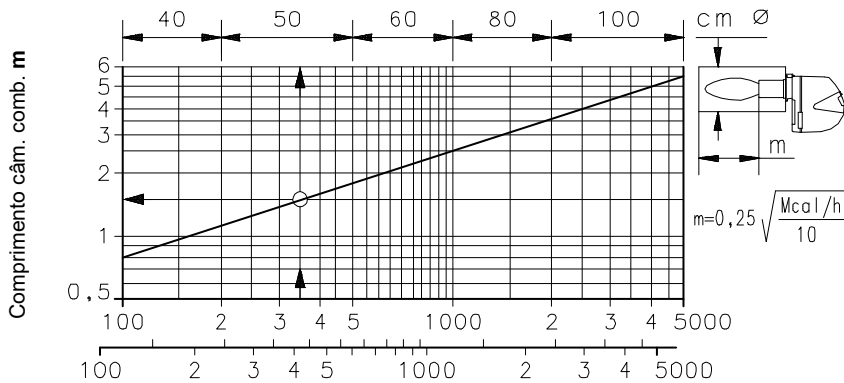
mm	A	D	E	F (1)	H	I	L	O	N	V	M
RS 34 MZ	442	422	508	216-351	140	305	138	780	84	177	1"1/2
RS 44 MZ	442	422	508	216-351	152	305	138	780	84	177	1"1/2

(1) Tubo de fogo: curto - longo



(A)

D9304



(B)

D497

CAMPOS DE TRABALHO (A)

Durante o funcionamento, a potência do queimador varia entre:

- uma **POTÊNCIA MÁXIMA**, localizada na zona A,
- e uma **POTÊNCIA MÍNIMA**, que não deve ser inferior ao limite mínimo do gráfico:

RS 34 MZ = 45 kW
RS 44 MZ = 80 kW

Atenção

O CAMPO DE TRABALHO foi calculado à temperatura ambiente de 20 °C, à pressão barométrica de 1013 mbar (aprox. 0 metros acima do nível do mar) e com o cabeçal de combustão regulado conforme se indica na página 7.

CALDEIRA DE ENSAIO (B)

Os gráficos foram obtidos com caldeiras de ensaio especiais, conforme a norma EN 676.

Na figura (B) é indicado o diâmetro e o comprimento da câmara de combustão da caldeira de ensaio.

Exemplo

Potência 350 Mcal/h:
diâmetro 50 cm - comprimento 1,5 m.

CALDEIRAS COMERCIAIS

Não existe problema algum no acoplamento queimador-caldeira se esta tiver homologação CE e se as dimensões da câmara de combustão se aproximam das indicadas no gráfico (B). Se, pelo contrário, o queimador for instalado numa caldeira comercial não homologada CE ou com as dimensões da câmara de combustão muito mais pequenas que as indicadas no gráfico (B), deve-se consultar o fabricante.

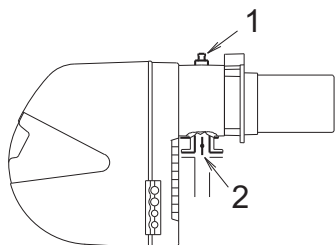
Além disso, para caldeiras de inversão, aconselha-se de controlar o comprimento do cabeçal de combustão segundo quanto prescrito pelo construtor da caldeira.

RS 34 MZ

kW	1 Δp (mbar)	2 Δp (mbar)
130	1,5	0,1
140	2,0	0,1
160	2,9	0,1
180	3,8	0,2
200	4,6	0,2
220	5,5	0,3
240	6,4	0,3
260	7,3	0,4
280	8,2	0,4
300	9,1	0,5
320	10,0	0,5
340	10,9	0,6
360	11,8	0,7
380	12,7	0,8
390	13,1	0,8

RS 44 MZ

kW	1 Δp (mbar)	2 Δp (mbar)
200	3,0	0,2
225	4,0	0,3
250	4,9	0,3
275	5,9	0,4
300	6,9	0,5
325	7,9	0,6
350	8,9	0,6
375	9,8	0,7
400	10,8	0,8
425	11,8	1,0
450	12,8	1,1
475	13,8	1,2
500	14,7	1,3
525	15,7	1,5
550	16,7	1,6

(A)**(B)**

S8738

PRESSÃO DO GÁS

As tabelas existentes na margem indicam as perdas de carga mínimas da linha de alimentação de gás em função da potência máxima do queimador.

Coluna 1

Perda de carga cabeçal de combustão.

Pressão do gás na tomada 1)(B), com câmara de combustão a 0 mbar.

Coluna 2

Perda de carga registro borboleta gás 2)(B) com abertura máxima: 90°.

Os valores indicados nas tabelas referem-se a:

gás natural G 20 PCI 9,45 kWh/Sm³

(8,2 Mcal/Sm³)

Com:

gás natural G 25 PCI 8,13 kWh/Sm³

(7,0 Mcal/Sm³)

multiplicar os valores da tabela:

- coluna 1-2: para 1,5;

- coluna 3: para 1,35.

Para conhecer a potência MÁX aproximada à que está a funcionar o queimador:

- Subtrair à pressão do gás na toma 1)(B) a sobrepressão da câmara de combustão.

- Procurar na tabela relativa ao queimador desejado, o valor de pressão mais próximo ao resultado obtido na subtração.

- Ler à esquerda a potência correspondente.

Exemplo - RS 34 MZ:

• Funcionamento à MÁX potência

• Gás natural G 20 PCI 9,45 kWh/Sm³

• Pressão do gás na tomada 1)(B) = 9,3 mbar

• Pressão na câmara de combustão = 2 mbar
9,3 - 2 = 7,3 mbar

À pressão de 7,3 mbar, coluna 1, corresponde na tabela do RS 34 MZ uma potência de 260 kW.

Este valor serve como primeira aproximação; o real determinar-se-á através do contador.

Pelo contrário para conhecer a pressão do gás necessária na toma 1)(B), uma vez fixada a potência MÁX à qual se deseja que o queimador funcione:

- procurar a potência mais próxima ao valor desejado, na tabela relativa ao queimador que se considere.

- Ler à direita, coluna 1, a pressão no tubo de tomada 1)(B).

- Somar a este valor a sobrepressão estimada na câmara de combustão.

Exemplo - RS 34 MZ:

• Potência MÁX desejada: 260 kW

• Gás natural G 20 PCI 9,45 kWh/Sm³

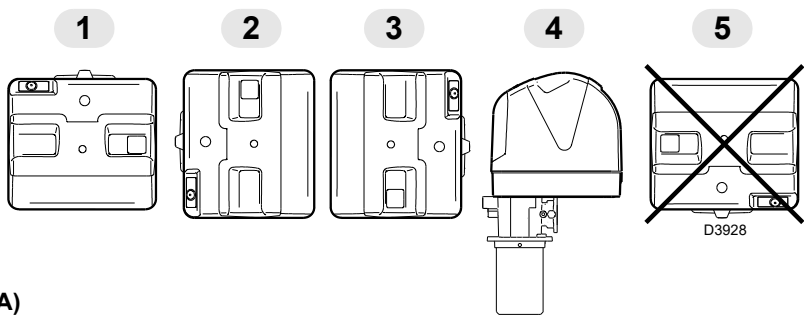
• Pressão do gás à potência de 260 kW, na tabela do RS 34 MZ, coluna 1A = 7,3 mbar

• Pressão na câmara de combustão = 2 mbar
7,3 + 2 = 9,3 mbar

pressão necessária na tomada 1)(B).

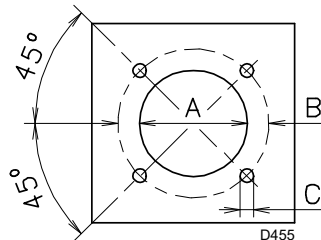


Os dados de saída térmica e a pressão de gás superior estão relacionados com a operação a válvula borboleta completamente aberta (90°).

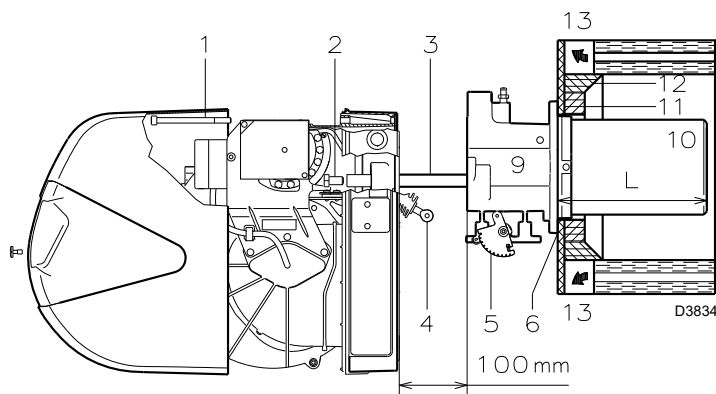


(A)

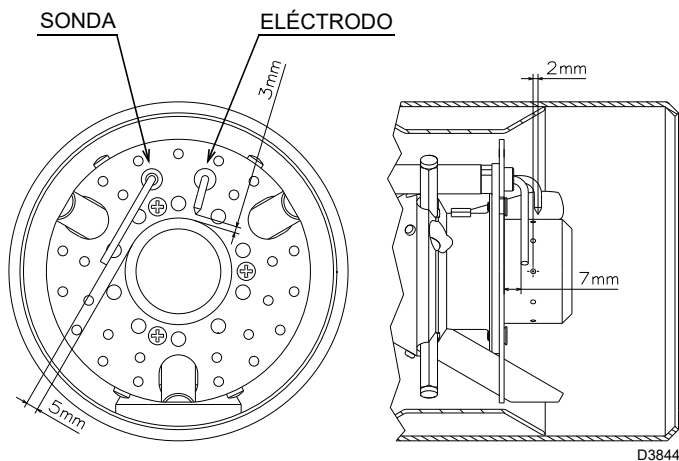
mm	A	B	C
RS 34 MZ	160	224	M 8
RS 44 MZ	160	224	M 8



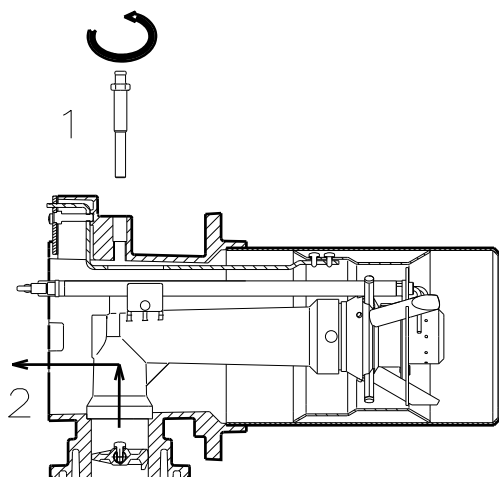
(B)



(C)



(D)



(E)

INSTALAÇÃO

⚠ A INSTALAÇÃO DO QUEIMADOR DEVE SER REALIZADA EM CONFORMIDADE COM AS LEIS E NORMAS LOCAIS.

POSIÇÃO DE FUNCIONAMENTO (A)

⚠ O queimador está pre-configurado exclusivamente para o funcionamento nas posições 1, 2, 3 e 4.

A instalação 1 é preferível pois é a única que permite a manutenção como descrita a seguir neste manual. As instalações 2, 3 e 4 consentem o funcionamento mas tornam menos acessíveis as operações de manutenção e inspeção do cabeçal de combustão.

⊖ Qualquer outro posicionamento pode comprometer o bom funcionamento do aparelho. A instalação 5 é proibida por motivos de segurança.

PLACA DA CALDEIRA (B)

Furar a placa de fecho da câmara de combustão, tal como está indicado em (B). Pode marcar-se a posição dos orifícios roscados utilizando a junta isolante que é fornecida com o queimador.

COMPRIMENTO DO TUBO DE FOGO (C)

O comprimento do tubo de fogo deve ser selecionado de acordo com as indicações do fabricante da caldeira e, em qualquer caso, deve ser maior que a espessura da porta da caldeira completa, com o material refractário incluído. Os comprimentos, L (mm), disponíveis são

Tubo de fogo 10)	RS 34 MZ	RS 44 MZ
• curto	216	216
• longo	351	351

Para caldeiras com passagens de fumos diagonais 13) ou com câmara de inversão de chama, colocar uma protecção em material refractário 11) entre o refractário da caldeira 12) e o tubo de fogo 10). Esta protecção deve permitir o deslocamento do tubo de fogo.

Nas caldeiras com frontal refrigerado por água, não é necessário o revestimento refractário 11)-12)(C), salvo se este for indicado pelo fabricante da caldeira.

FIXAÇÃO DO QUEIMADOR À CALDEIRA (C)

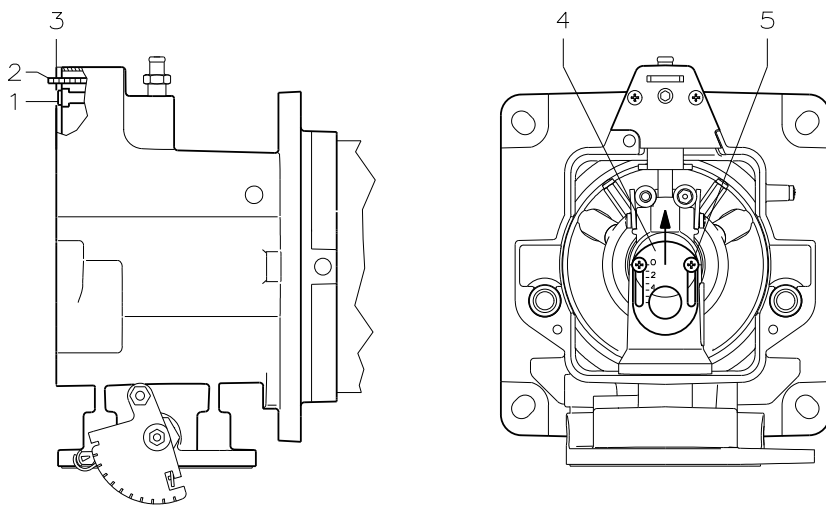
Antes de fixar o queimador à caldeira, verificar (através da abertura do tubo de fogo) se a sonda e o eléctrodo de acendimento estão correctamente posicionados como indica a figura (D). Seguidamente separar o cabeçal de combustão do resto do queimador, fig. (C):

- **desprender a articulação 4) do sector graduado 5);**
- desenroscar os parafusos 2) das duas guias 3);
- desenroscar os parafusos 1) e deslocar o queimador pelas guias 3) cerca de 100 mm;
- desligar os cabos da sonda e do eléctrodo e seguidamente retirar por completo o queimador das guias.

Fixar o grupo 9)(C) à placa da caldeira, intercalando a junta isolante 6)(C) fornecida. Utilizar os 4 parafusos fornecidos, depois de ter protegido a rosca com um produto antibloqueio. O acoplamento do queimador à caldeira deve ser hermético.

Se na verificação anterior, a posição da sonda ou do eléctrodo não era correcta, desenroscar o parafuso 1)(E), retirar a parte interior 2)(E) do cabeçal e proceder à sua calibragem. Não rodar a sonda, mas sim, deixá-la conforme o indicado em (D), aproximar demasiado do eléctrodo de acendimento poderá danificar o amplificador da caixa de controlo.

⚠ ATENÇÃO
Proceder à montagem da parte interna 2)(E) do cabeçal de combustão aparafusando o parafuso 1)(E) com um binário de aperto de $4 \div 6 \text{ Nm}$.



(A)

D8458

REGULAÇÃO DO CABEÇAL DE COMBUSTÃO

Neste ponto da instalação, o tubo de fogo e o suporte queimador fixam-se à caldeira como é indicado na Fig. (A). A regulação do cabeçal de combustão pode ser realizada portanto de modo particularmente fácil.

Regulação do ar (A - B)

Rodar o parafuso 1)(A) até que a marca na folha laminada 2)(A) coincida com o plano da placa 3)(A).

Exemplo

Queimador RS 44 MZ, potência = 300 kW. Pelo diagrama (B) resulta que, com uma potência MAX de 300 kW, a regulação do ar tem que ser efectuada na marca 3, subtraída do valor de pressão na câmara. Neste caso, a perda de pressão do cabeçal de combustão é indicada na coluna 1 da pág. 6.

Nota

Se a pressão na câmara estiver corresponder a 0 mbar, a regulação do ar tem que ser efectuada com referência à linha tracejada do diagrama (B).

Regulação de ar central (Fig. A - C)

Caso a específica aplicação requeira uma regulação especial, é possível modificar o caudal de ar central por meio do aro 4)(A) até a marca indicada no diagrama (C).

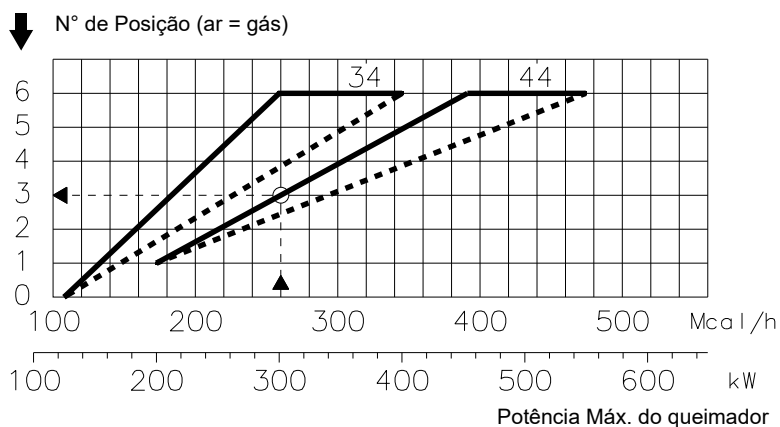
Para efectuar essa operação aliviar os parafusos 5)(A) e levantar para cima o aro 4)(A). Depois, bloquear novamente os parafusos 5)(A).

Finalizada a regulação do cabeçal, voltar a montar o queimador 4)(D) nas guias 3)(D) a cerca de 100 mm da mangueira 5)(D) - queimador na posição indicada na fig. (C) p.7 - ligar os cabos da sonda e do eléctrodo e seguidamente deslocar o queimador até a mangueira, queimador na posição indicada na fig. (D).

Voltar a colocar os parafusos 2) nas guias 3). Fixar o queimador à mangueira através do parafuso 1).

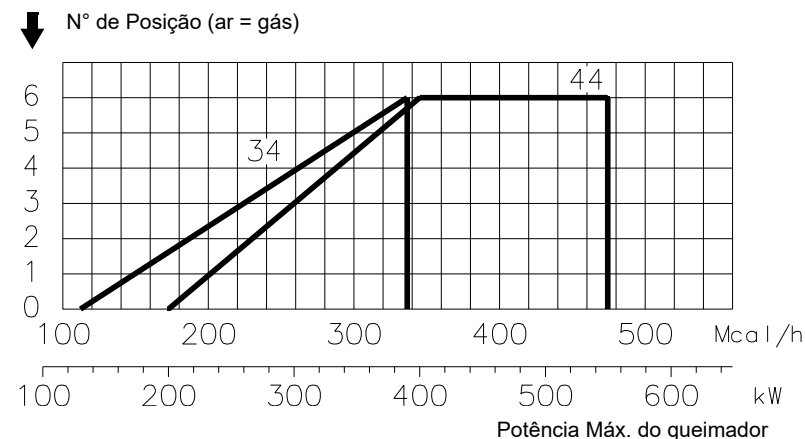
Atenção

No momento de fechar o queimador nas guias, é conveniente puxar suavemente para fora o cabo de alta tensão e da sonda de revelação da chama até que estejam ligeiramente esticados.



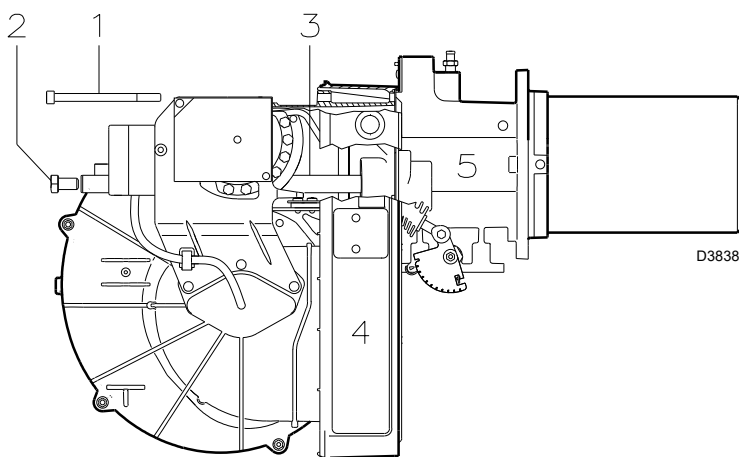
(B)

D3837



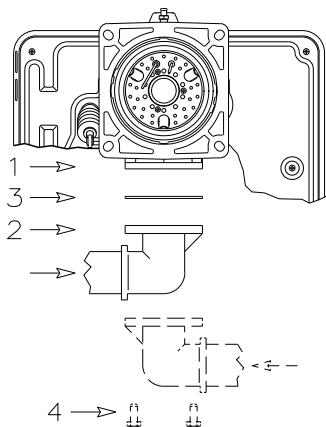
(C)

D8577



(D)

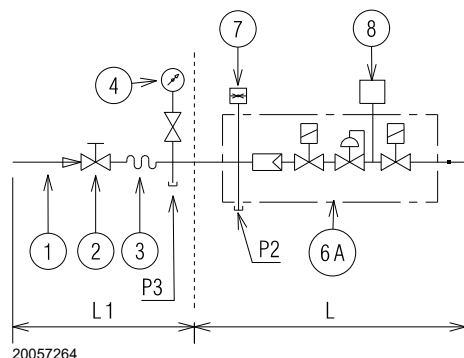
D3838



(A)

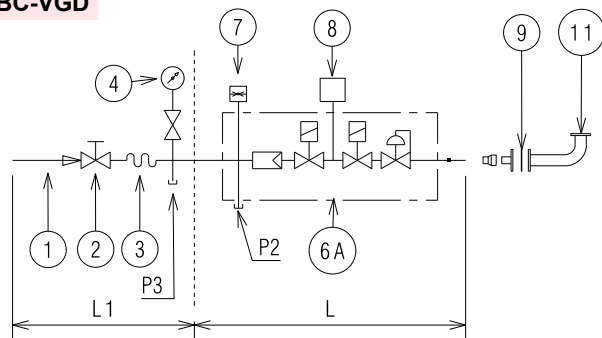
D3839

MB



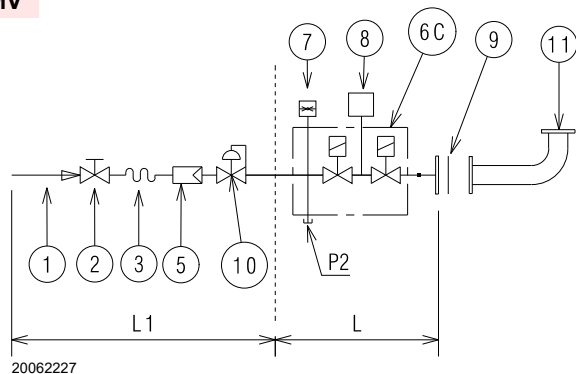
20057264

MBC-VGD



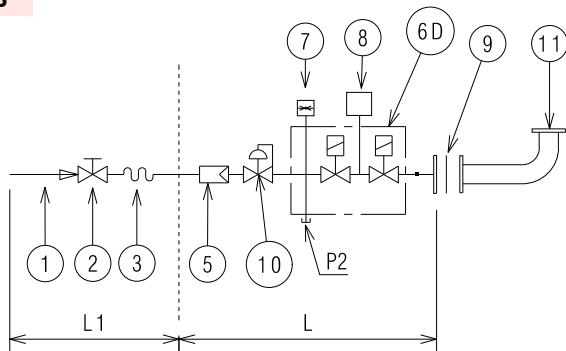
20062223

DMV



20062227

CB



20062228

LINHA ALIMENTAÇÃO DE GÁS



A instalação da linha deve ser feita por pessoal habilitado, de acordo com o conteúdo do presente manual e em conformidade com as disposições e normas vigentes.



Risco de explosão devido ao vazamento de combustível na presença de fonte inflamável.

Precauções: evite choques, fricção, faíscas, calor.

Verifique o fechamento da torneira de interceptação do combustível, antes de efetuar qualquer tipo de intervenção.

- A linha de gás está unida à ligação 1)(A), através da flange 2), a junta 3) e os parafusos 4), fornecidos com o queimador.
- A linha pode chegar pela direita ou pela esquerda, conforme convenha. Ver Fig. (A).
- As electroválvulas do gás devem estar o mais perto possível do queimador, para assegurar a chegada do gás ao cabeçal de combustão no tempo de segurança de 3 segundos.

LINHA DE GÁS

Está homologada, junto com o queimador, conforme a norma EN 676 e é fornecida em separado.

LEGENDA (B)

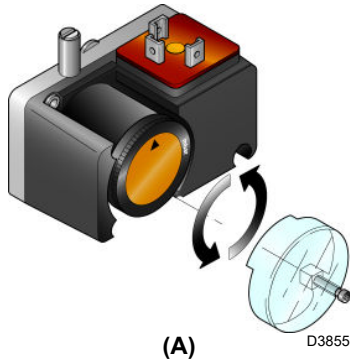
- 1 Condução de entrada do gás
- 2 Válvula manual
- 3 Junta antivibração
- 4 Manómetro com válvula de botão
- 5 Filtro
- 6A Compreende:
 - filtro
 - válvula de segurança
 - regulador de pressão
 - válvula de funcionamento
- 6C Compreende:
 - válvula de segurança
 - válvula de funcionamento
- 6D Compreende:
 - válvula de segurança
 - válvula de funcionamento
- 7 Pressóstato gás de mínima
- 8 Controlo de vedação, fornecido como acessório ou integrado, em função do código da linha de gás. Conforme a norma EN 676, o controlo de estanquidade é obrigatório para queimadores com potência máxima superior a 1200 kW.
- 9 Junta, apenas para as versões "com flanges"
- 10 Regulador de pressão
- 11 Adaptador linha de gás-queimador, fornecido a parte
- P2 Pressão montante válvulas/regulador
- P3 Pressão antes do filtro
- L Linha de gás, fornecida a parte
- L1 A cargo do instalador

Nota

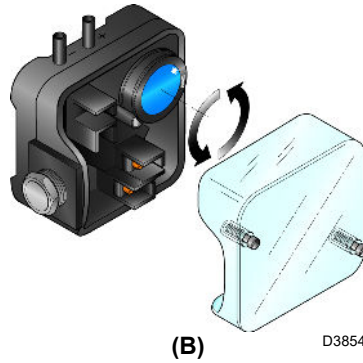
Para a regulação da linha de gás, ver as instruções que acompanham a mesma. Para a seleção do modelo correto da linha de gás, consultar o manual "Acolamento queimador-linha de gás" fornecido.

(B)

PRESSOSTATO GÁS DE MÍN.

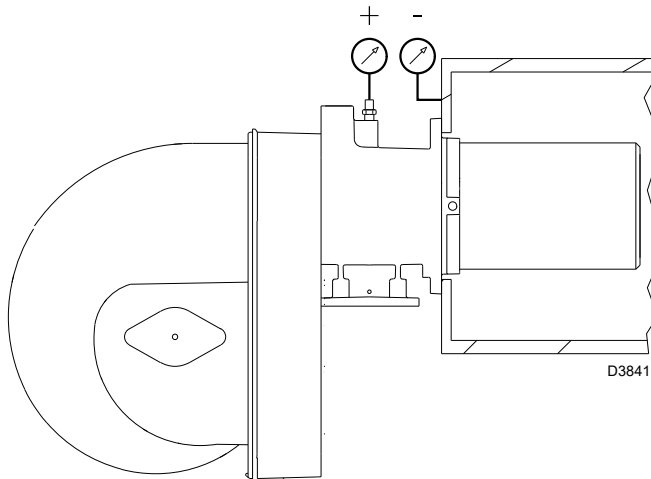


PRESSOSTATO AR



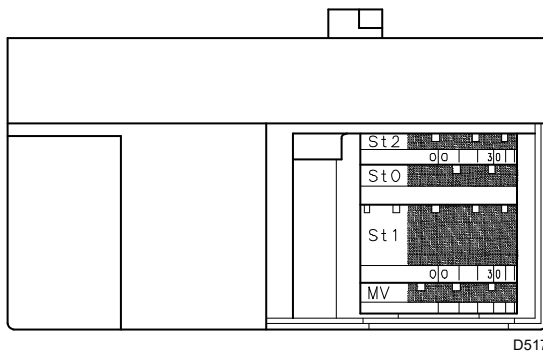
(A)

(B)



(C)

SERVOMOTOR



(D)

REGULAÇÕES PRÉVIA AO ACENDIMENTO

ATENÇÃO

O PRIMEIRO ACENDIMENTO DEVE SER EXECUTADO POR PESSOAL QUALIFICADO E DOTADO DE INSTRUMENTAÇÃO ADEQUADA.

A regulação do cabeçal de combustão, ar, já foi descrita na pág. 8.

Efectuar, ainda, as seguintes regulações:

- abrir as válvulas manuais localizadas antes da linha de gás.
- Regular o pressostato gás de mínima ao início da escala (A).
- Regular o pressostato ar ao início da escala (B).
- Purgar o ar da linha de gás. É aconselhável evacuar o ar purgado ao exterior do edifício (através de um tubo de plástico) até notar o odor característico do gás.
- Instalar um manómetro (C) na tomada de pressão do suporte queimador. Serve para calcular, aproximadamente, a potência MAX. do queimador através das tabelas da pág. 6.
- Ligar em paralelo às duas electroválvulas de gás VR e VS, duas lâmpadas ou um tester para controlar o momento da chegada de corrente. Esta operação não é necessária se cada uma das electroválvulas estiver equipada com uma luz piloto que assinala a presença de corrente eléctrica.

Antes de colocar em funcionamento o queimador, é conveniente regular a linha de gás de forma que o acendimento se faça em condições de máxima segurança, isto é, com um pequeno caudal de gás.

SERVOMOTOR (D)

O servomotor regula em simultâneo o registo do ar pela came de perfil variável e a válvula borboleta do gás.

O ângulo de rotação do servomotor é igual ao ângulo do sector graduado da válvula borboleta do gás. O servomotor roda 90° em 12 segundos. Não modificar a regulação feita de fábrica das 4 cames com que está dotado; verificar simplesmente que as levas estão reguladas da seguinte forma:

Came St2 : 90°

Limita a rotação máxima. Com o queimador funcionando em 2ª chama, a válvula de borboleta do gás deve estar completamente aberta: 90°.

Came St0 : 0°

Limita a rotação mínima.

Com o queimador parado, o registo de ar e a válvula borboleta do gás devem estar fechados: 0°.

Came St1 : 15°

Regula a posição de acendimento e da potência em 1ª chama.

Came MV

não se utiliza.

ARRANQUE DO QUEIMADOR

Fechar os termostatos e premir:

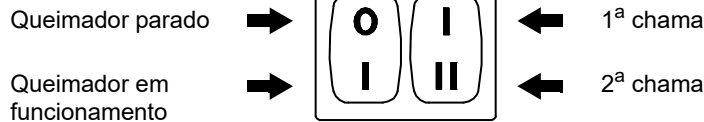
- o interruptor 1)(E) para a posição “Queimador em funcionamento”;

- o interruptor 2)(E) para a posição “1ª CHAMA”. Assim que o queimador entre em funcionamento, controlar o sentido de giro da turbina do ventilador através do visor de chama 18)(A) p.4.

Verificar que as lâmpadas ou o tester ligados às electroválvulas, ou às luzes piloto das próprias electroválvulas, indicam ausência de corrente. Se assinalam que existe corrente, parar imediatamente o queimador e verificar a ligação eléctrica.

ACENDIMENTO DO QUEIMADOR

Depois de ter efectuado as operações descritas no parágrafo anterior, o queimador deve acender-se. Se o motor arranca mas não aparece chama e a caixa de controlo se bloqueia, rearmar esta e fazer uma nova tentativa de arranque. Se o acendimento continua sem efeito, pode ser devido a que o gás não chega ao cabeçal de combustão no tempo de segurança de 3 segundos. Em tal caso, aumentar o caudal de gás no acendimento. A chegada de gás ao queimador pode observar-se no manómetro do tubo em “U” (C). Uma vez efectuado o acendimento, proceder-se-á à regulação completa do queimador.

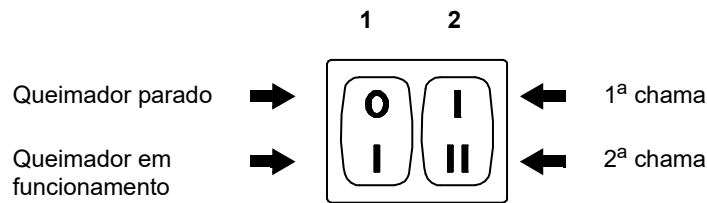


(E)

D469



Antes de iniciar o queimador, consulte o parágrafo “Teste de segurança - com fornecimento de gás fechado”, página 15.



(A)

D469

REGULAÇÃO DO QUEIMADOR

Para conseguir uma óptima regulação do queimador, é necessário fazer uma análise dos gases de combustão na base da chaminé.

Terá que se regular consecutivamente:

- 1 - Potência do queimador na 2ª chama;
- 2 - Potência do queimador na 1ª chama
- 3 - Potência intermédia
- 4 - Pressostato ar
- 5 - Pressostato gás de mínima

DETERMINAÇÃO DA POTÊNCIA DE ACENDIMENTO (MÍNIMA)

Conforme a norma EN 676.

Queimadores com potência MÁX até 120 kW

O acendimento pode ser feito à máxima potência de funcionamento. Exemplo:

- potência máxima de funcionamento : 120 kw
- potência máxima de acendimento : 120 kw

Queimadores com potência MÁX superior a 120 kW

O acendimento deve ser feito a uma potência reduzida em relação à potência máxima de funcionamento.

Se a potência de acendimento não ultrapassa os 120 kW, não é necessário fazer cálculo algum. Pelo contrário, se a potência supera os 120 kW, a norma estabelece que o seu valor seja definido em função do tempo de segurança "ts" da caixa de controlo:

para "ts" = 3s. A potência de acendimento deve ser igual ou inferior a 1/3 da potência máxima de funcionamento.

Exemplo

Potência MÁX de funcionamento 450 kW.

A potência de acendimento deve ser igual ou inferior a 150 kW com ts = 3s

Para medir a potência de acendimento:

- desconectar a ficha-tomada 24)(A) p.4 do cabo da sonda de ionização (o queimador acende-se e bloqueia-se passado o tempo de segurança).
- Efectuar 10 acendimentos com bloqueios consecutivos.
- Ler no contador o gás consumido. Esta quantidade deve ser igual ou inferior à que nos dá a fórmula, para ts = 3s:

$$Vg = \frac{Qa \text{ (caudal max. queimador)} \times n \times ts}{3600}$$

Vg: volume fornecido nos acendimentos executados (Sm³)

Qa: caudal de acendimento (Sm³/h)

n: número de acendimento (10)

ts: tempo de segurança (seg)

Exemplo para gás G 20 (9,45 kWh/Sm³):

potência de acendimento 150 kW

correspondentes a 15,87 Sm³/h.

Depois de 10 acendimentos com bloqueio, o caudal de gás medido no contador deve ser igual ou inferior a:

$$Vg = \frac{15,87 \times 10 \times 3}{3600} = 0,132 \text{ Sm}^3$$

1 - POTÊNCIA DO QUEIMADOR NA 2ª CHAMA

A potência na 2ª chama é escolhida dentro do campo de trabalho indicado na pág. 5.

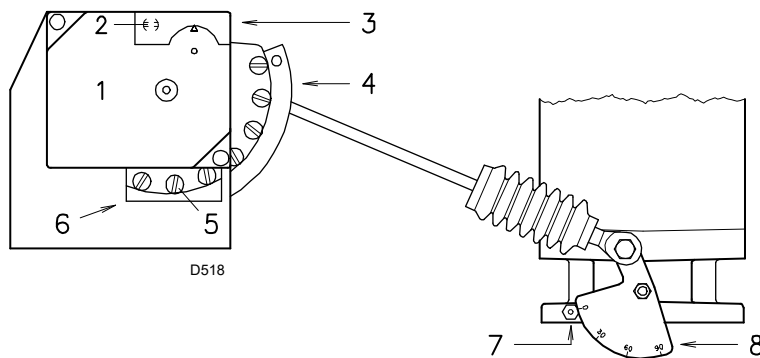
Na descrição anterior, o queimador estava em funcionamento na 1ª chama. Situar agora o interruptor 2)(A) na posição "2ª chama": o servomotor abrirá a comporta de ar e ao mesmo tempo a válvula borboleta do gás a 90°.

Regulação do gás

Medir o caudal de gás no contador.

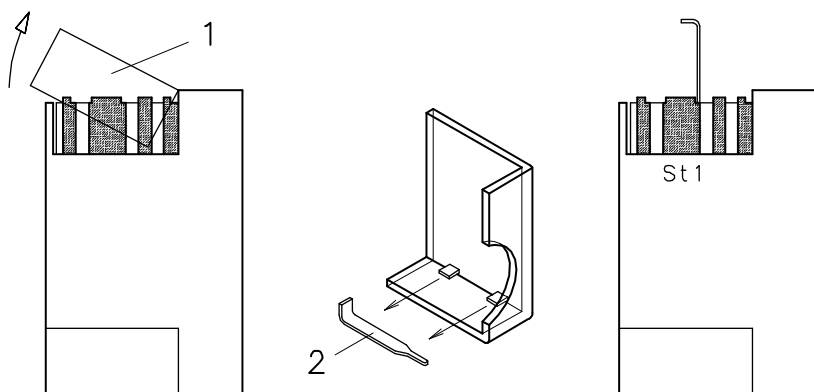
A título de orientação, pode determinar-se através das tabelas da pág. 6, observando a pressão do gás no manómetro ver Fig. (C) p.10 e seguindo as indicações da pág.6.

- Se for necessário reduzi-lo, diminuir a pressão do gás à saída e, se já está no mínimo, fechar um pouco a electroválvula de regulação VR.
- Se for necessário aumentá-la, aumentar a pressão de gás à saída do regulador.



- 1 Servomotor
- 2 Bloqueio / Desbloqueio came 4
- 3 Tampa comes
- 4 Came de perfil variável
- 5 Parafusos regulação perfil variável
- 6 Abertura acesso parafusos 5
- 7 Índice do sector graduado 8
- 8 Sector graduado válvula borboleta de gás

(A)



(B)

Regulação do ar

Variar progressivamente o perfil final da came 4)(A), actuando sobre os parafusos da came que aparecem no interior da abertura 6)(A).

- Para aumentar o caudal de ar, rosca os parafusos.
- Para diminuir o caudal de ar, desenrosca os parafusos.

2 - POTÊNCIA DO QUEIMADOR NA 1ª CHAMA

A potência na 1ª chama é escolhida dentro do campo de trabalho indicado na pág. 5.

Pressionar o interruptor 2)(A) p.11 para posição "1ª chama": o servomotor 1)(A) fechará a comporta de ar, e ao mesmo tempo, o da válvula borboleta do gás situando-o a 15°, que é a regulação efectuada em fábrica.

Regulação do gás

Medir o caudal de gás no contador.

- Se deseja diminuir-lo, reduzir um pouco o ângulo da came St1 (B) através de curtos e sucessivos deslocamentos, isto é, passando do ângulo de 15° a 13° - 11°....
- Se deseja aumentá-lo, passar à 2ª chama pressionando o interruptor 2)(A) p.11 e aumentar um pouco o ângulo da came St1 através de curtos e sucessivos deslocamentos, isto é, passando do ângulo de 15° a 17° - 19°....

Seguidamente retornar à 1ª chama e medir o caudal de gás.

NOTA

O servomotor segue a regulação da came St1 só quando se reduz o ângulo da mesma. Se se tem que aumentar o ângulo, é necessário passar à 2ª chama, aumentar o ângulo e retornar à 1ª chama para verificar o efeito da regulação.

Se o ângulo de St1 se aumenta em 1ª chama produz-se a paragem do queimador.

Para a eventual regulação da came St1, retirar a tampa 1), colocada à pressão, como o indicado na fig. (B), tirar a cavilha 2) localizada no interior e introduzi-la no encaixe da came St1.

Regulação do ar

Variar progressivamente o perfil inicial da came 4)(A), actuando sobre os parafusos da came que aparecem no interior da abertura 6)(A). Se possível, não rodar o primeiro parafuso, dado que é o utilizado para fechar o registo do ar completamente.

3 - POTÊNCIAS INTERMÉDIAS

Regulação do gás

Não é necessário regulação alguma.

Regulação do ar

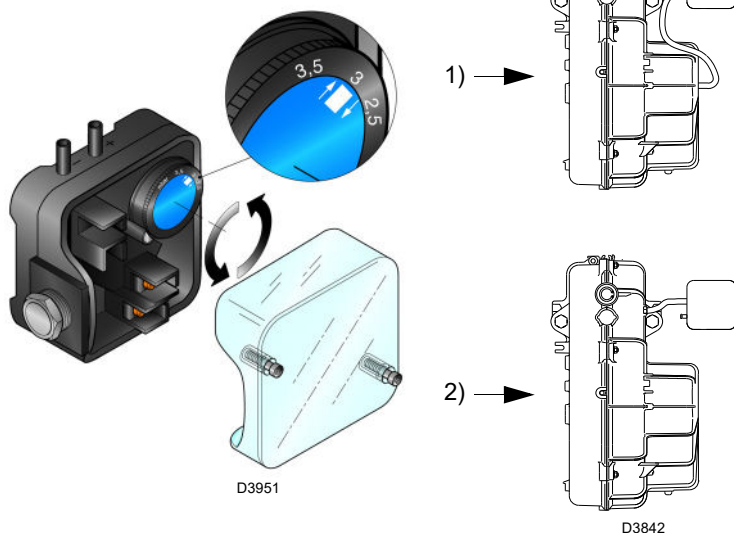
Desligar o queimador com auxílio do interruptor 1)(A) p.11, desbloquear a came de perfil variável, colocando o entalhe do servomotor 2)(A) em posição vertical e actuar sobre os parafusos intermédios da guia de maneira que a inclinação seja progressiva. Provar várias vezes rodando a came, com a mão, para diante e para trás: o movimento deve ser suave e sem brusquidão.

Prestar atenção a não deslocar os parafusos das extremidades da came que já foram utilizados para regular a comporta de ar na 1ª e 2ª chamas.

NOTA

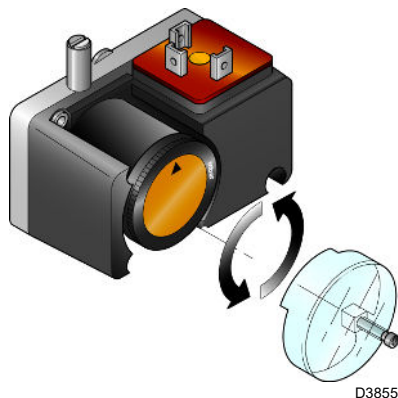
Uma vez terminada a regulação das potências "2ª chama - 1ª chama - intermédias", voltar a verificar o acendimento: deve produzir-se um ruído parecido ao do funcionamento sucessivo. Se forem observadas pulsações, reduzir o caudal do acendimento.

PRESSOSTATO DE AR

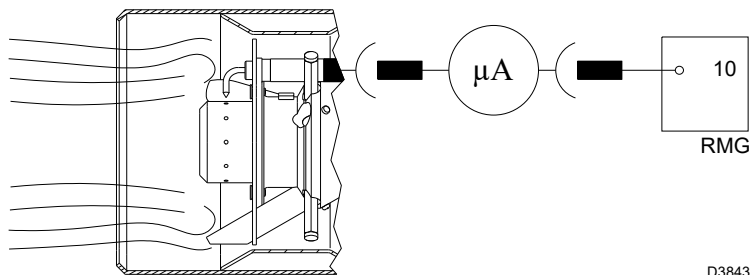


(A)

PRESSOSTATO GÁS DE MÍNIMA



(B)



(C)

4 - PRESSOSTATO DE AR (A)

Efectuar a regulação do pressostato de ar, depois de ter feito todas as restantes regulações do queimador, com o pressostato de ar ajustado ao início da escala (A).

Com o queimador a funcionar na 1ª chama, aumentar a pressão de regulação rodando lentamente (no sentido horário) o botão fornecido para tal efeito, até que o queimador se bloqueie. Seguidamente rodar o referido botão no sentido contrário ao dos ponteiros do relógio, cerca de 20% do valor regulado e verificar de seguida o correcto funcionamento do queimador.

Se o queimador se bloqueia de novo, rodar o botão um pouco mais, no sentido contrário ao dos ponteiros do relógio.

Atenção: normalmente, o pressostato de ar deve impedir que o CO nos fumos seja superior a 1% (10.000 p.p.m.).

Para o comprovar, introduzir um analisador de CO na chaminé, fechar lentamente a boca de aspiração do ventilador (p.ex. com um cartão) e verificar que o queimador se bloqueia antes que o CO nos fumos ultrapasse 1%.

O pressostato de ar instalado pode funcionar de maneira "diferencial", se for ligado a dois tubos. Se existe uma grande depressão na câmara de combustão na fase de pré-ventilação pode ocorrer que o pressostato não feche o seu contacto, neste caso, colocar um tubinho entre o pressostato e a boca de aspiração do ventilador. Deste modo o pressostato funcionará como pressostato diferencial.

Atenção: o uso do pressostato de ar com funcionamento diferencial só é permitido em aplicações industriais e onde as normas permitam que o pressostato de ar controle só o funcionamento do ventilador, sem limite de referência no que respeita ao CO.

5 - PRESSOSTATO GÁS DE MÍNIMA (B)

O objetivo do pressostato de pressão mínima de gás é evitar que o queimador funcione inadequadamente devido a uma pressão de gás muito baixa.

Regular o pressostato de pressão mínima de gás (Fig. 33) após ajustar o queimador, as válvulas de gás e o estabilizador da linha.

Com o queimador funcionando à potência máxima:

- instalar um manómetro a jusante do estabilizador da linha (por exemplo, na tomada de pressão do gás na cabeça de combustão do queimador);
- fechar lentamente a válvula manual de gás até o manómetro ler uma diminuição de pressão de cerca de 0,1 kPa (1 mbar). Nesta fase, monitorizar o valor de CO, que deve ser sempre inferior a 100 mg/kWh (93 ppm).
- Aumentar o ajuste do pressostato até ser acionado, gerando com isso o desligamento do queimador;
- retirar o manómetro e fechar a válvula da tomada de pressão utilizada para a medição;
- abrir completamente a válvula manual de gás.



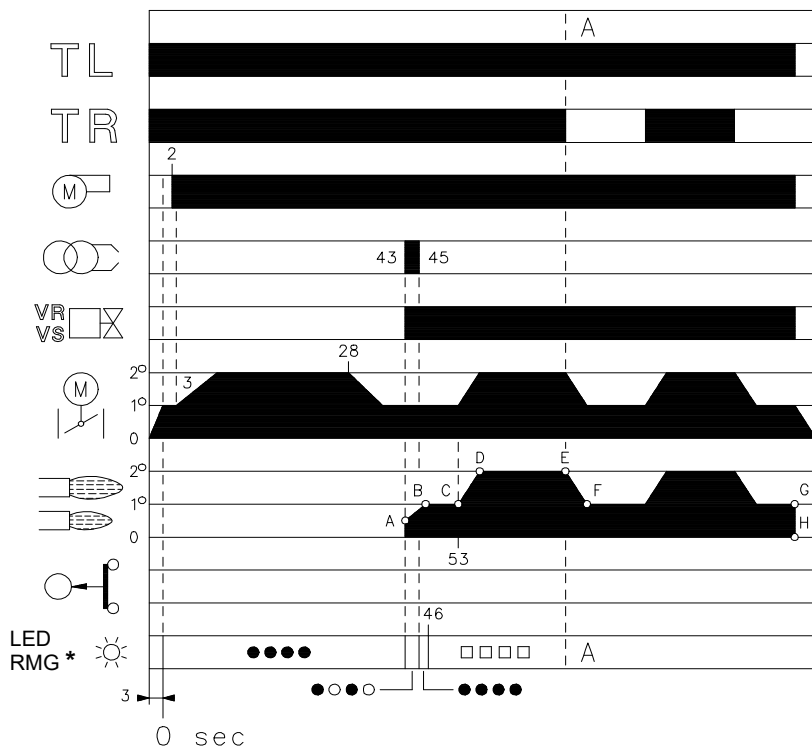
1 kPa = 10 mbar

UWAGA

CONTROLO DE PRESENÇA DE CHAMA (C)

O queimador está dotado de um sistema de ionização para controlar a presença da chama. A corrente mínima para o funcionamento da caixa de controlo é de 6 μ A. O queimador gera uma corrente nitidamente superior, não precisando normalmente de nenhum controlo. No entanto, se desejar medir a corrente de ionização, é necessário desinserir a ficha-tomada 24)(A) p.4 colocada no cabo da sonda de ionização e inserir um microamperímetro para corrente contínua de escala baixa de 100 μ A. Atenção à polaridade!

ACENDIMENTO NORMAL (n° = segundos a partir do instante 0)

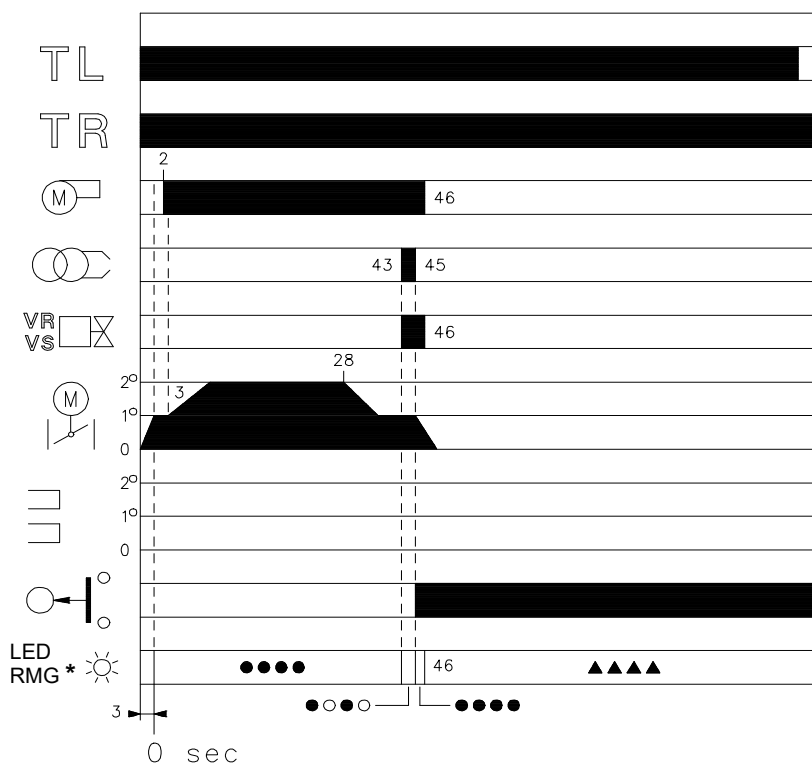


* ○ Apagado ● Amarelo □ Verde ▲ Vermelho
Para ulteriores informações ver pág. 17.

(A)

D3028

FALTA DE ACENDIMENTO



* ○ Apagado ● Amarelo ▲ Vermelho
Para ulteriores informações ver pág. 17.

(B)

D3029

FUNCIONAMENTO DO QUEIMADOR

ARRANQUE DO QUEIMADOR (A)

- 0 s : Fecha-se o TL. Entra em funcionamento o servomotor: roda em abertura até atingir o ângulo escolhido com a came St1. Passados cerca de 3s:
- 2 s : Entra em funcionamento o motor ventilador.
- 3 s : Entra em funcionamento o servomotor: roda em abertura até atingir a actuação de came St2. A comporta de ar coloca-se na posição de potência 2ª chama. Fase de pré-ventilação, com o caudal de ar da potência da 2ª chama. Duração: 25 segundos.
- 28 s : Entra em funcionamento o servomotor: roda em fechamento até atingir o ângulo escolhido pela came St1.
- 43 s : A comporta de ar e a válvula de borboleta do gás estão na posição de potência de 1ª chama. Gera-se faísca no eléctrodo de acendimento. Abrem-se as electroválvulas de segurança VS e de regulação VR (abertura rápida). Acende-se a chama, com pouca potência, ponto A. Continua um progressivo aumento da potência, abertura lenta da electroválvula VR, até chegar à potência da 1ª chama, ponto B.
- 45 s : A faísca apaga-se.
- 53 s : Se o termóstato TR está fechado ou substituído por um shunt, o servomotor roda até atingir a actuação da came St2 colocando a comporta de ar o de borboleta de gás na posição de 2ª chama, intervalo C-D. Finaliza o ciclo de arranque da caixa de controlo.

FUNCIONAMENTO A REGIME (A)

Caldeira com termóstato TR

Finalizado o ciclo de arranque, o comando do servomotor passa ao termóstato TR, que controla a pressão ou a temperatura da caldeira, ponto D.

(A caixa de controlo continua a controlar a presença de chama e a correcta posição do presostato de ar).

- Quando a temperatura ou a pressão aumenta até à abertura do termóstato TR, o servomotor fecha a comporta de ar e de borboleta do gás passando o queimador da 2ª à 1ª chama, intervalo E-F).
- Quando a temperatura ou a pressão diminui até ao fecho do termóstato TR, o servomotor abre a comporta de ar e o de borboleta do gás passando o queimador da 1ª à 2ª chama. E assim sucessivamente.
- A paragem do queimador acontece quando a quantidade de calor pedida está inferior à quantidade fornecida pelo queimador de calor em 1º chama, intervalo G - H. O controlo remoto TL abre-se, o servomotor volta ao ângulo 0° limitado pela came St0. O registo fecha-se completamente para reduzir as perdas de calor ao mínimo.

Caldeira sem termóstato TR, substituído por um shunt

A entrada em funcionamento do queimador é da forma indicada anteriormente. Sucessivamente se a temperatura ou a pressão aumenta até à abertura do termóstato TL, o queimador apaga-se (intervalo A-A do gráfico).

FALTA DE ACENDIMENTO (B)

Se o queimador não se acende, produz-se o bloqueio do mesmo ao fim de 3 segundos da abertura da válvula de gás e aos 49 segundos do fecho do termóstato TL. Acende-se o led vermelho da caixa de controlo.

EXTINÇÃO DA CHAMA DURANTE O FUNCIONAMENTO

Se a chama se apagar durante o funcionamento, o queimador bloqueia-se em 1 segundo.

TESTE DE SEGURANÇA - COM FORNECIMENTO DE GÁS FECHADO

Para realizar o comissionamento com segurança, é muito importante verificar a correta execução das conexões elétricas entre as válvulas de gás e o queimador.

Para este fim, depois de verificar se as conexões foram realizadas de acordo com os diagramas elétricos do queimador, deve ser realizado um ciclo de inicialização com uma torneira de gás fechada (teste seco).

- 1 A válvula de gás manual deve ser fechada com um dispositivo de bloqueio / desbloqueio (procedimento "lock-out / tag out").
- 2 Certifique-se de fechar os contatos elétricos do limite do queimador
- 3 Certifique-se de que o contato do interruptor mínimo de pressão do gás esteja fechado
- 4 Prossiga com uma tentativa de iniciar o queimador.

O ciclo de inicialização deve ocorrer de acordo com as seguintes fases:

- Iniciar o motor do ventilador para pré-ventilação
- Execução da verificação da válvula de gás, se necessário.
- Conclusão da pré-ventilação
- Atingir o ponto de ignição
- Alimentação do transformador de ignição
- Alimentação das válvulas de gás.

Depois de fechado o gás, o queimador não poderá inflamar e seu equipamento de controle e entrará em uma condição de bloqueio de segurança ou paragem.

A alimentação efetiva das válvulas de gás pode ser verificada com um verificador; algumas válvulas estão equipadas com sinais de luz (ou indicadores de posição de fecho / abertura) que são ativados quando são alimentados.



SE A ALIMENTAÇÃO ELÉTRICA DAS VÁLVULAS DE GÁS TEM MOMENTOS SEM EXPLORAÇÃO, NÃO ABRA A VÁLVULA MANUAL, RETIRE A ALIMENTAÇÃO, VERIFIQUE O FECHO; CORRIJA OS ERROS E EXECUTE NOVO TESTE.

COMPONENTES DE SEGURANÇA

Os componentes de segurança devem ser substituídos de acordo com o fim do ciclo de vida indicado em na tabela a seguir. Os ciclos de vida especificados, não estão relacionados com o limite de garantia especificado nos termos de entrega ou pagamento.

Componente de segurança	Ciclo de vida
Controlo de chama	10 anos ou 250.000 ciclos de funcionamento
Sensor de chama	10 anos ou 250.000 ciclos de funcionamento
Válvula de gás (tipo solenoide)	10 anos ou 250.000 ciclos de funcionamento
Pressostato	10 anos ou 250.000 ciclos de funcionamento
Regulador de pressão	15 anos
Servomotor (came eletrónico) (se estiver presente)	10 anos ou 250.000 ciclos de funcionamento
Válvula de óleo (tipo solenoide) (se presente)	10 anos ou 250.000 ciclos de funcionamento
Regulador de óleo (se presente)	10 anos ou 250.000 ciclos de funcionamento
Tubos de óleo / acessórios (metal) (se houver)	10 anos
Mangueiras flexíveis (se houver)	5 anos ou 30.000 ciclo em pressão
Impulsor do ventilador	10 anos ou 500.000 ignições

CONTROLO FINAL (com o queimador em funcionamento):

- desconectar um fio do pressostato gás de mínima;
- abrir o termóstato/pressostato TL;
- abrir o termóstato/pressostato TS;


o queimador deve parar.


- Desligar o tubo de adução ar ao pressostato;
- desconectar o fio da sonda de ionização;


o queimador deve bloquear-se.

Comprovar que os bloqueios mecânicos dos dispositivos de regulação estão bem apertados.

MANUTENÇÃO

 O queimador requer uma manutenção periódica, que deve ser realizada por pessoal habilitado e em conformidade com as leis e normas locais.

 A manutenção periódica é essencial para o bom funcionamento do queimador; essa reduz os consumos inúteis de combustível e reduz as emissões de poluentes no ambiente.

 Antes de realizar qualquer operação de limpeza ou controlo, remover a alimentação eléctrica do queimador, actuando sobre o interruptor geral da instalação.

Combustão

Fazer a análise dos gases de combustão que saem da caldeira. As diferenças significativas em relação à última análise indicarão os pontos onde deverão centrar-se as operações de manutenção.

Fugas de gás

Comprovar que não existem fugas de gás na conduta contador-queimador.

Filtro de gás

Substituir o filtro do gás quando estiver sujo (ver instrução linha).

Cabeçal de combustão

Abriu o queimador e verificar que todas as partes do cabeçal de combustão estão intactas e não deformadas pelas altas temperaturas, não têm sujidade proveniente do ambiente e que estão correctamente posicionadas. Em caso de dúvidas, desmontar o cotovelo.

Servomotor

Desbloquear a came 4)(A) p.11, girando 90° a ranhura 2)(A) p.11 e controlar manualmente que a sua rotação, para a frente e para trás, se efectue com facilidade. Bloquear de novo a came 4).

Queimador

Verificar que não há um desgaste anormal ou parafusos frouxos nos mecanismos que controlam o registo do ar e a válvula de borboleta do gás. De igual modo, os parafusos que fixam os cabos eléctricos na régua de terminais e nas tomadas do queimador devem estar bem apertados.

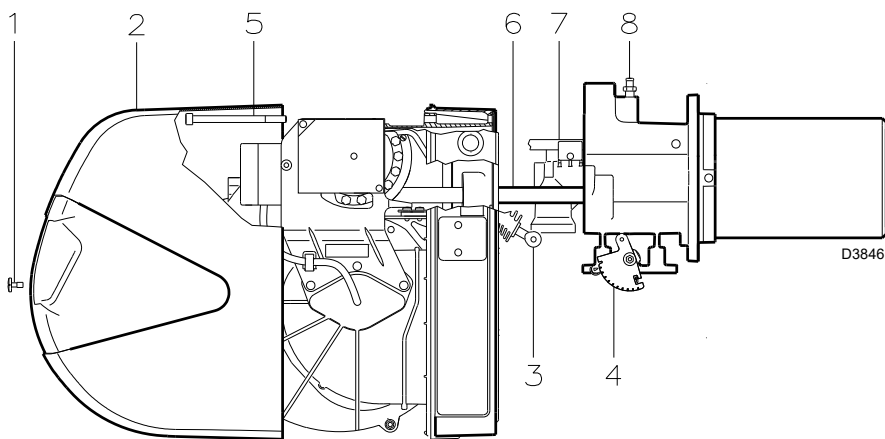
Limpar exteriormente o queimador, em particular as rótulas e a came 4)(A) p.11.

Combustão

Regular o queimador se os valores da combustão obtidos no início da intervenção não cumprem as normas em vigor ou não correspondem a uma boa combustão.

Anotar numa ficha de controlo os novos valores da combustão; serão úteis para controlos sucessivos.

ABERTURA DO QUEIMADOR



(A)

PARA ABRIR O QUEIMADOR (A):

- Cortar a corrente eléctrica.
- Extrair o parafuso 1) e extrair a cobertura 2).
- Soltar a articulação 3) do sector graduado 4).
- Retirar o parafuso 5) somente no caso de modelos com cabeçal comprido, deslocar para trás o queimador pelas guias 6) por aprox. 100 mm. Desinserir os cabos de sonda e eléctrodo e então deslocar completamente para trás o queimador.

Neste ponto é possível extrair o distribuidor de gás 7), depois de se ter desenroscado o parafuso 8).

Tirar os parafusos 2)(C) p. 7 e aparafusar as duas extensões 25)(A) p.4 entregue com o queimador.

Parafusar novamente os dois parafusos 2)(C) p.7 no terminal das extensões.



ATENÇÃO

Proceder à montagem da parte interna do cabeçal de combustão aparafusando o parafuso 8)(A) com um binário de aperto de 4 ± 6 Nm.

PARA FECHAR O QUEIMADOR (A):

- Conduzir o queimador até cerca de 100 mm da mangueira.
- Voltar a ligar os cabos e deslocar o queimador até ao fim.
- Recolocar o parafuso 5) e puxar delicadamente em direcção ao exterior os cabos de sonda e o eléctrodo, até colocá-los em ligeira tensão.
- Voltar a enganchar a articulação 3) no sector graduado 4).
- Nos modelos com cabeça longa, desaparafusar as extensões e reposicionar no próprio espaço; parafusar as guias aos parafusos 2)(C) p.7.
- Reposicionar a cobertura 2) e fixar com o parafuso 1).

MANUTENÇÃO QUADRO ELÉCTRICO

Se for necessário efectuar a manutenção do quadro eléctrico 1)(B) é possível tirar unicamente a ventoinha de arrefecimento 2)(B) para consentir um melhor acesso aos componentes eléctricos.

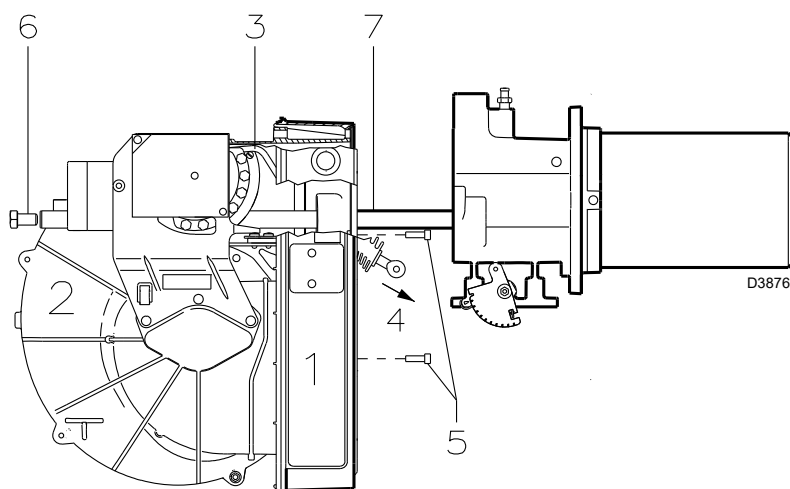
Com o queimador aberto como na fig. (A), desengatar o tirante 3)(B), tirando o parafuso na came a perfil variável, e extrai-lo pela extremidade 4)(B).

Neste ponto, desconectar as cablagens relativas a pressostato de ar, servomotor e motor ventilador.

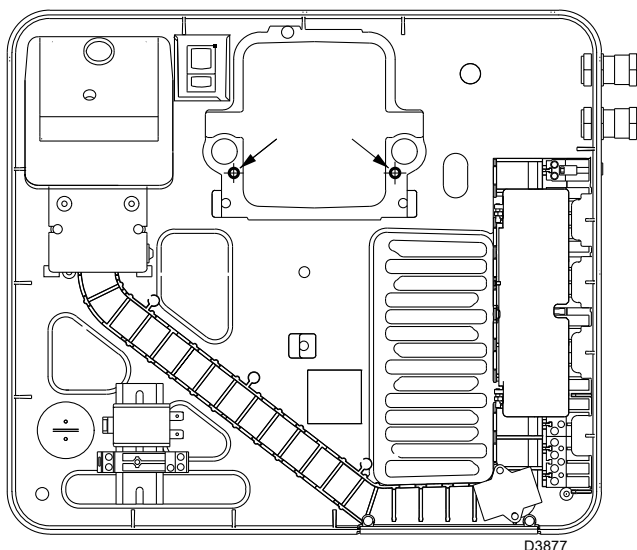
Tirar portanto os 3 parafusos 5)(B) presentes na chapa de protecção.

Tirando os 2 parafusos 6)(B) é possível desengatar a ventoinha de arrefecimento 2)(B) das guias 7)(B).

Em fim, podem ser utilizados 2 dos 3 parafusos 5)(B) para fixar o quadro eléctrico à mangueira, nos pontos indicados na fig. (C), e efectuar portanto as operações de manutenção.



(B)



(C)

DIAGNÓSTICO PROGRAMA DE ARRANQUE

As indicações que aparecem durante o programa de arranque, estão explicadas na seguinte tabela:

TABELA CÓDIGO COR	
Sequências	Código cor
Pré-ventilação	● ● ● ● ● ● ● ● ● ●
Fase de ligação	● ○ ● ○ ● ○ ● ○ ●
Funcionamento com chama ok	□ □ □ □ □ □ □ □ □ □
Funcionamento com sinal de chama fraca	□ ○ □ ○ □ ○ □ ○ □
Alimentação eléctrica inferior a ~ 170V	● ▲ ● ▲ ● ▲ ● ▲ ●
Bloqueio	▲ ▲ ▲ ▲ ▲ ▲ ▲ ▲ ▲
Luz estranha	▲ □ ▲ □ ▲ □ ▲ □ ▲
Legenda:	○ Apagado ● Amarelo □ Verde ▲ Vermelho

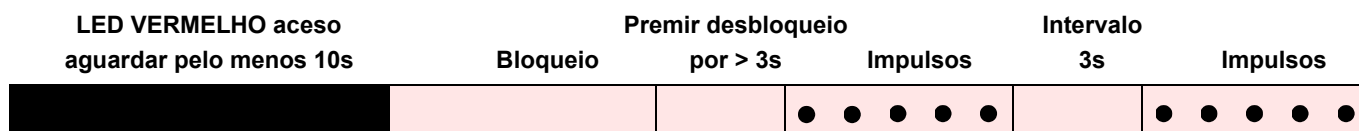
DESBLOQUEIO DA CAIXA DE CONTROLO E UTILIZAÇÃO DO DIAGNÓSTICO

O caixa de controlo fornecido de série possui uma sua função de diagnóstico, por meio da qual é possível localizar facilmente as eventuais causas de mau funcionamento (sinalização: **LED VERMELHO**).

Para utilizar tal função, é necessário aguardar pelo menos 10 segundos após a colocação da segurança (**bloqueio**) e, em seguida, pressionar o botão de desbloqueio.

A caixa de controlo cria uma sequência de impulsos (à distância de 1 segundo) que se repete a intervalos constantes de 3 segundos.

Visualizado o número de sinais intermitentes e identificada a provável causa, é necessário reiniciar o sistema, mantendo o botão pressionado por um período de tempo compreendido entre 1 e 3 segundos.



A seguir, estão ilustrados os métodos possíveis para efectuar o desbloqueio da caixa de controlo e para a utilização do diagnóstico.

DESBLOQUEIO DA CAIXA DE CONTROLO

Para efectuar o desbloqueio da caixa de controlo, agir como segue:

- Premir o botão por um período de tempo compreendido entre 1 e 3 segundos.
O queimador arranca após uma pausa de 2 segundos depois de se ter largado o botão.
No caso em que o queimador não arranque é necessário verificar o fechamento do termóstato limite.

DIAGNÓSTICO VISUAL

Indica o tipo de defeito do queimador que determina o bloqueio do mesmo.

Para visualizar o diagnóstico, agir como segue:

- Com o led vermelho fixo (bloqueio do queimador), manter premido o botão por mais de 3 segundos.
O fim da operação será indicado pelo acender de um led amarelo intermitente.
Soltar o botão após o piscar do led. O número de sinais intermitentes evidencia a causa do mau funcionamento de acordo com a codificação indicada na tabela de pag. 18.

DIAGNÓSTICO SOFTWARE

Fornece a análise da vida do queimador por meio da conexão óptica ao PC, indicado as relativas horas de funcionamento, número e tipos de bloqueios, número de série da caixa de controlo etc...

Para visualizar o diagnóstico, agir como segue:

- Com o led vermelho fixo (bloqueio do queimador), manter premido o botão por mais de 3 segundos.
O fim da operação será indicado pelo acender de um led amarelo intermitente.
Soltar o botão por 1 segundo e em seguida, voltar a premi-lo por mais de 3 segundos até à visualização de um ulterior piscar amarelo.
Quando se solta o botão, o led vermelho irá piscar em modo intermitente com frequência elevada: só nessa altura será possível inserir a conexão óptica.

Uma vez executadas as operações, é necessário restabelecer o estado inicial da caixa de controlo por meio do procedimento de desbloqueio acima descrito.

PRESSÃO NO BOTÃO	ESTADO DA CAIXA DE CONTROLO
De 1 a 3 segundos	Desbloqueio da caixa de controlo sem visualização do diagnóstico visual.
Mais de 3 segundos	Diagnóstico visual da condição de bloqueio: (piscar do led com intermitência de 1 segundo).
Mais de 3 segundos a partir da condição de diagnóstico visual	Diagnóstico software com auxílio de interface óptica e PC (possibilidade de visualização das horas de funcionamento, das anomalias, etc..)

A sequência dos impulsos emitidos pela caixa de controlo identifica os possíveis tipos de avaria que são ilustrados na tabela de pag. 18.

Sinal	Anomalia	Causa provável	Solução
2 sinais intermitentes ● ●	Superada a pré-ventilação e o tempo de segurança, o queimador bloqueia-se sem que apareça a chama.	1 - A electroválvula de funcionamento faz passar pouco gás. 2 - Uma das electroválvulas não se abre. 3 - Pressão de gás demasiado baixa 4 - Eléctrodo de acendimento mal regulado 5 - Eléctrodo à massa por rotura do isolamento 6 - Cabo de alta tensão defeituoso 7 - Cabo de alta tensão deformado pela alta temperatura 8 - Transformador de acendimento defeituoso 9 - Ligações eléctricas válvulas ou transformador incorrectos 10 - Caixa de controlo defeituosa 11 - Uma válvula antes da linha de gás, fechada 12 - Ar nas tubagens. 13 - Válvulas gás não ligadas ou bobina interrompida	Aumentá-lo Substituir Aumentá-la no regulador Regulá-lo Substituí-lo Substituí-lo Substituí-lo e protegê-lo Substituí-lo Comprová-los Substituí-la Abri-la Purgá-lo Verificar ligações ou substituir bobina
3 sinais intermitentes ● ● ●	O queimador não arranca e acontece o bloqueio O queimador arranca mas bloqueia-se de imediato	14 - O pressóstato de ar em posição de funcionamento - O pressóstato de ar não comuta por pressão de ar insuficiente: 15 - Pressóstato de ar mal regulado 16 - Tubo tomada pressão ar do pressóstato obstruído 17 - Cabeçal mal regulado 18 - Alta pressão na câmara de combustão	Regulá-lo ou substituí-lo Regulá-lo ou substituí-lo Limpá-lo Regulá-lo Ligar pressóstato de ar à aspiração do ventilador
	Bloqueio durante o pré-ventilação	19 - Contador do comando motor defeituoso (somente versão trifásica) 20 - Motor eléctrico defeituoso 21 - Bloqueio do motor (somente versão trifásica)	Substituí-lo Substituí-lo Substituí-lo
4 sinais intermitentes ● ● ● ●	O queimador arranca mas bloqueia-se de imediato	22 - Simulação de chama	Substituir a caixa de controlo
	Bloqueio ao parar o queimador	23 - Há chama no cabeçal de combustão ou simulação de chama	Eliminar a chama ou substituir a caixa de controlo
6 sinais intermitentes ● ● ● ● ● ●	O queimador arranca mas bloqueia-se de imediato	24 - Servomotor defeituoso ou mal regulado	Regulá-lo ou substituí-lo
7 sinais intermitentes ● ● ● ● ● ● ●	O queimador bloqueia-se logo depois que aparece a chama	25 - A electroválvula de funcionamento faz passar pouco gás 26 - Sonda de ionização mau regulada 27 - Ionização insuficiente (inferior a 5 A). 28 - Sonda à massa 29 - Terra defeituosa 30 - Fase e neutro invertidos 31 - Avaria do circuito de observação da chama	Aumentá-lo Regulá-lo Verificar a posição da sonda Separá-la ou substituir o cabo Rever tomada de terra Inverter Substituir a caixa de controlo
	Bloqueio do queimador na passagem entre 1a e 2a chama ou entre 2a e 1a chama	32 - Demasiado ar ou pouco gás	Regular ar o gás
	Em funcionamento, o queimador bloqueia-se	33 - Sonda ou cabo de ionização à massa	Substituir a(s) peça(s) deteriorada(s)
10 sinais intermitentes ● ● ● ● ● ● ● ● ● ●	O queimador não arranca e acontece o bloqueio	34 - Ligações eléctricas incorrectas	Comprová-los
	O queimador bloqueia-se	35 - Caixa de controlo defeituosa 36 - Presença de distúrbios electromagnéticos sobre as linhas dos termóstatos 37 - Presença de distúrbios electromagnéticos	Substituí-la Filtrá-los ou eliminá-los Utilizar o kit protecção contra as rádio-interferências

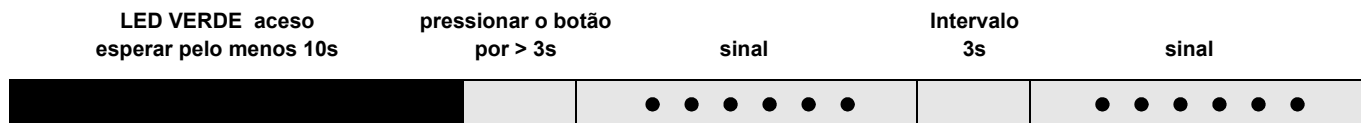
Sinal	Anomalia	Causa provável	Solução
Nenhum sinal intermitente	O queimador não arranca	38 - Falta corrente eléctrica	Fechar interruptores Controlar ligações eléctricas
		39 - Um termóstato de regulação ou de segurança aberto. . .	Regulá-lo ou substituí-lo
		40 - Fusível de linha de controlo fundido	Substituí-lo
		41 - Caixa de controlo defeituosa	Substituí-la
42 - Falta de gás		Abriu válvulas manuais entre o contador e a linha	
O queimador continua a repetir o ciclo de arranque sem se bloquear	O queimador não funciona em 2a chama	43 - Pressão de gás na rede insuficiente	Contacte a COMPANHIA DO GÁS
		44 - O pressóstato de gás de mínima não fecha	Regulá-lo ou substituí-lo
		45 - Servomotor não vai à posição de mín. acendimento. . .	Substituí-lo
		46 - A pressão do gás na rede está próxima do valor ao qual está regulado o pressóstato gás de mínima. A queda repentina de pressão que se tem quando se abre a válvula provoca a abertura do próprio pressóstato, razão pela qual a válvula se fecha imediatamente e o motor pára. A pressão volta a aumentar, o pressóstato fecha e faz com que o ciclo de arranque se repita. E assim sucessivamente.	Reduzir a pressão de intervenção do pressóstato de gás de mínima. Substituir a cartucho do filtro de gás.
47 - Cabeçal mal regulado		Regular	
Acendimento com pulsações	O queimador não funciona em 2a chama	48 - Eléctrodo de acendimento mal regulado	Regulá-lo
		49 - Registo ventilador mal regulado; demasiado ar.	Regulá-lo
		50 - Potência de acendimento demasiado elevada	Reduzi-la
		51 - Controlo remoto TR não fecha.	Regulá-lo ou substituí-lo
O queimador não funciona em 2a chama	O queimador fica com o registo de ar aberto	52 - Caixa de controlo defeituosa	Substituí-la
		53 - Servomotor defeituoso.	Substituí-lo
O queimador não funciona em 2a chama	O queimador fica com o registo de ar aberto	54 - Servomotor defeituoso.	Substituí-lo

FUNCIONAMENTO NORMAL / TEMPO DE OBSERVAÇÃO DA CHAMA

A caixa de controlo possui uma ulterior função, através da qual é possível verificar o correcto funcionamento do queimador (sinalização: **LED VERDE** permanentemente aceso).

Para utilizar tal função é necessário esperar pelo menos dez segundos desde o acendimento do queimador e pressionar o botão da caixa de controlo por um tempo mínimo de três segundos.

Solto o botão, o LED VERDE começará a piscar, como ilustrado na figura abaixo.



As pulsações do LED constituem sinais com intervalos de cerca de 3 segundos.

O número de pulsações indicará o TEMPO DE OBSERVAÇÃO da sonda desde a abertura das válvulas de gás, segundo a tabela seguinte.

SINAL	TEMPO DE OBSERVAÇÃO DA CHAMA
1 sinal intermitente ●	0.4 s
2 sinais intermitentes ● ●	0.8 s
6 sinais intermitentes ● ● ● ● ● ●	2.8 s

A cada arranque do queimador, este dado é actualizado. Realizada a leitura, pressionando brevemente o botão da caixa de controlo, o queimador repete o ciclo de arranque.

ATENÇÃO

Se se obtém um tempo > 2 s tem-se o acendimento atrasado.

Verificar a regulação do travão hidráulico na válvula de gás e regular o registo de ar e o cabeçal de combustão.

APÊNDICE

6

6A

5

4

3

2

1

D3840

Ligações eléctricas

NOTAS

As ligações eléctricas devem ser executadas conforme as normas em vigor do país de destino e por pessoal qualificado. Riello S.p.a. declina toda responsabilidade de modificações ou conexões diferentes daquelas representadas nestes esquemas.

Usar cabos flexíveis conforme a norma EN 60 335-1:

Todos os cabos a ligar ao queimador devem ser feitos passar pelos passacabos.

Os passacabos podem ser utilizados de várias formas; como exemplo, indicamos a seguinte forma:

RS 34-44 MZ monofásico

- 1- Tomada de 7 pólos para alimentação monofásico, termóstato/pressostato TL
- 2- Tomada de 6 pólos para válvulas de gás, pressostato gás ou dispositivo para o controlo de estanquidade das válvulas
- 3- Tomada de 4 pólos para termóstato/pressostato TR
- 4- Tomada de 5 pólos não utilizada
- 5- Tomada de 2 pólos para acessório pressostato gás de máx.
- 6 - 6A Atribuições para bocas (Perfurar em caso de necessidade das bocas 6A)

RS 44 MZ trifásico

- 1- Tomada de 7 pólos para alimentação monofásico, termóstato/pressostato TL
- 2- Tomada de 6 pólos para válvulas de gás, pressostato gás ou dispositivo para o controlo de estanquidade das válvulas
- 3- Tomada de 4 pólos para termóstato/pressostato TR
- 4- Tomada de 5 pólos para alimentação trifásica
- 5- Tomada de 2 pólos para acessório pressostato gás de máx.
- 6 - 6A Atribuições para bocas (Perfurar em caso de necessidade das bocas 6A)

D867

CALIBRAGEM RELÉ TÉRMICO (RS 44 MZ TRIFÁSICO)

Serve para evitar que o motor se queime por um forte aumento do consumo devido à ausência de uma fase.

- Se o motor é alimentado em estrela, **400V**, o cursor deve situar-se em "MÍN".
- Se é alimentado a triângulo, **230V**, o cursor deve situar-se em "MÁX".

Se a escala do relé térmico não compreende o consumo nominal do motor a 400 V, a protecção está igualmente assegurada.

NOTAS

- O modelo RS 44 MZ trifásico deixa a fábrica previsto para alimentação eléctrica **400V**. Se a alimentação for de **230V**, alterar a ligação do motor (de estrela a triângulo) e a regulação do relé térmico.
- Os queimadores RS 34-44 MZ têm sido homologados para funcionar a intermitência. Isto significa que devem parar "por Norma" pelo menos uma vez cada 24 horas para permitir que a caixa de controlo faça uma verificação da eficácia ao arranque. Normalmente, a paragem do queimador é garantida pelo termóstato/pressostato da caldeira. Se assim não for, deverá colocar em série com o interruptor IN, um interruptor horário que pare o queimador pelo menos uma vez cada 24 horas.
- Os queimadores RS 34-44 MZ deixam a fábrica predispostos para um funcionamento a duas chamas e portanto deve ser ligado o termóstato/pressostato TR. Se desejar, em vez, que o queimador tenha um funcionamento monofásico, inserir, em substituição do termóstato/pressostato TR, uma ponte entre os terminais T6 - T8 da ficha X4.



ATENÇÃO:

- Não inverter o neutro com a fase na linha de alimentação eléctrica. A eventual inversão poderia determinar uma paragem em bloqueio por falta de acendimento.
- Substituir os componentes unicamente com peças sobresselentes originais.

Electrical panel layout - Esquema cuadro eléctrico
Esquema quadro eléctrico

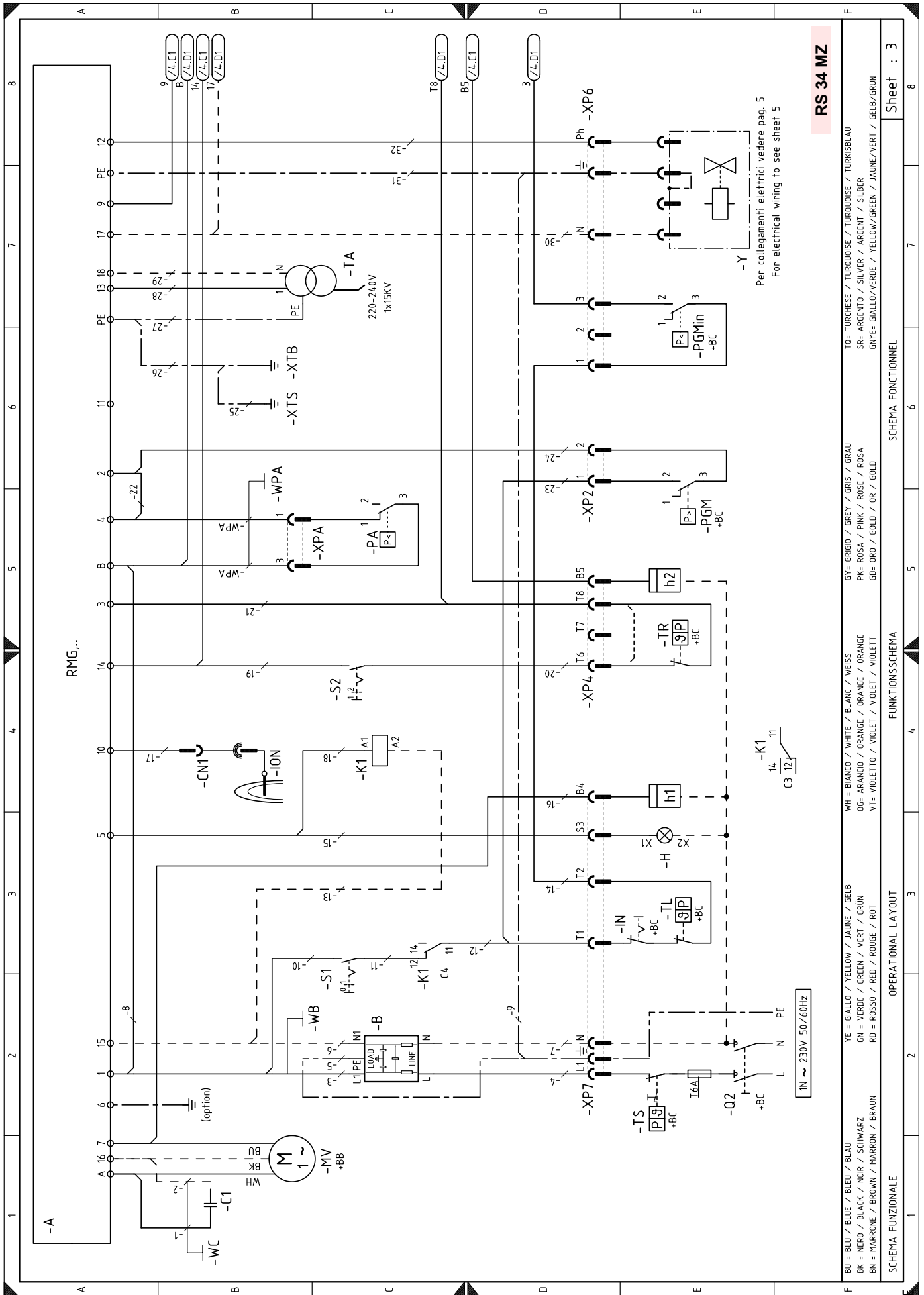
1		INDEX - ÍNDICE - ÍNDICE
2		Indication of references - Indicación referencias Indicação das referências
3	RS 34 MZ RS 44 MZ	Functional diagram - Esquema funcional Esquema funcional
4	RS 34 MZ RS 44 MZ	Functional diagram - Esquema funcional Esquema funcional
5	RS 34 MZ RS 44 MZ	Electrical connections set by installer - Conexiones eléctricas a cargo del instalador Ligações eléctricas pelo instalador

2 Indication of references - Indicación referencias - Indicação das referências

/1.A1

Sheet no. - N. Folio - N. Folha

Coordinates - Coordenadas - Coordenadas



BU = BLU / BLUE / BLEU / BLAU	YE = GIALLO / YELLOW / JAUNE / GELB	WH = BIANCO / WHITE / BLANK / WEISS	GY = GRIGIO / GREY / GRIS / GRAU	TO = TURCHESE / TURQUOISE / TURKISBLAU
BK = NERO / BLACK / NOIR / SCHWARZ	GN = VERDE / GREEN / GRÜN / GRÜN	OG = ARANCIO / ORANGE / ORANGE / ORANGE	PK = ROSA / PINK / ROSE / ROSA	SR = ARGENTO / SILVER / ARGENT / SILBER
BN = MARRONE / BROWN / MARRON / BRAUN	RD = ROSSO / RED / ROUGE / ROT	VI = VIOLETO / VIOLET / VIOLET / VIOLETT	GD = ORO / GOLD / OR / GOLD	GNYE = GIALLO/VERDE / YELLOW/GREEN / JAUNE/VERT / GELB/GRÜN

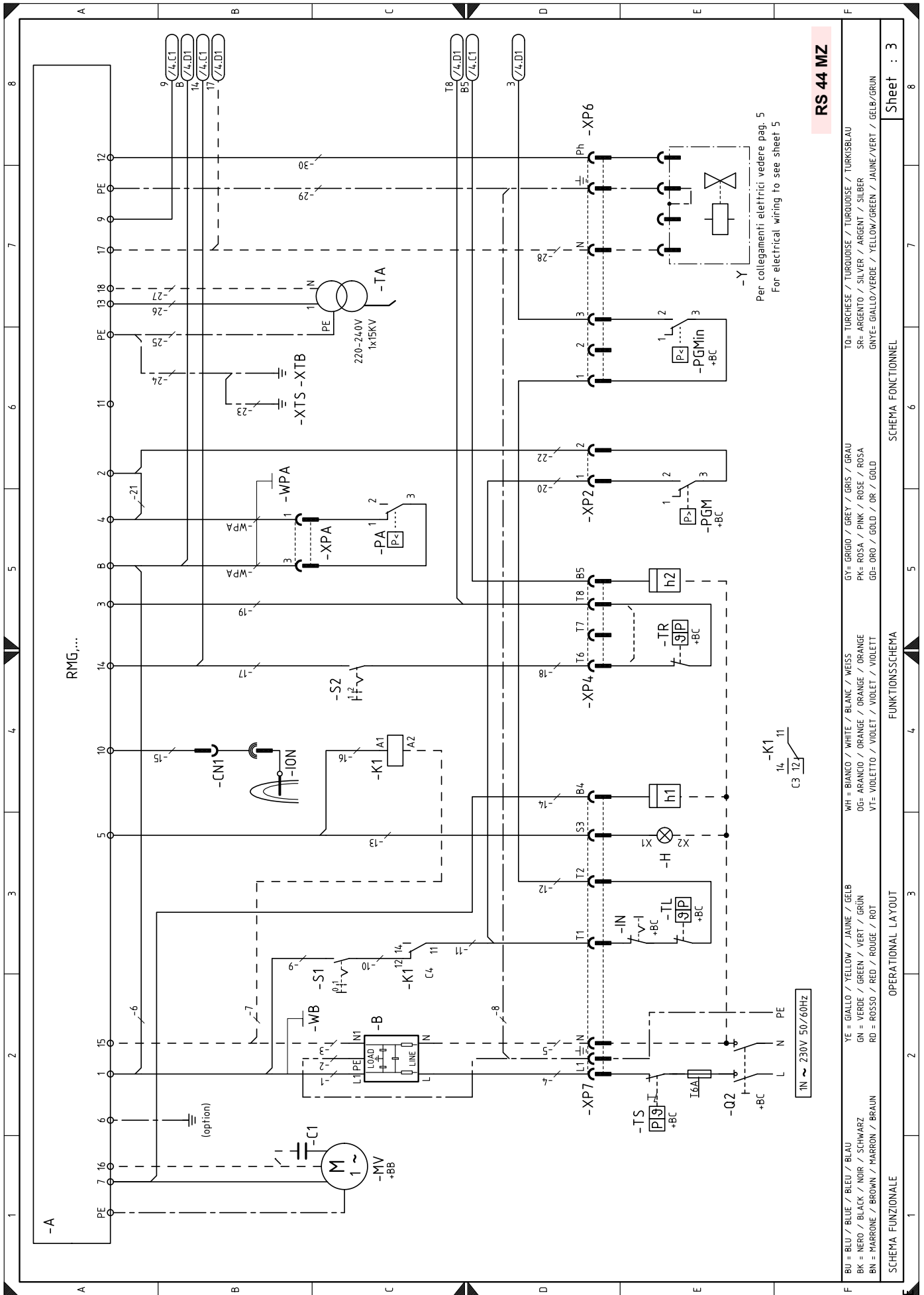
SCHEMA FUNZIONALE

OPERATIONAL LAYOUT

FUNKTIONSSCHEMA

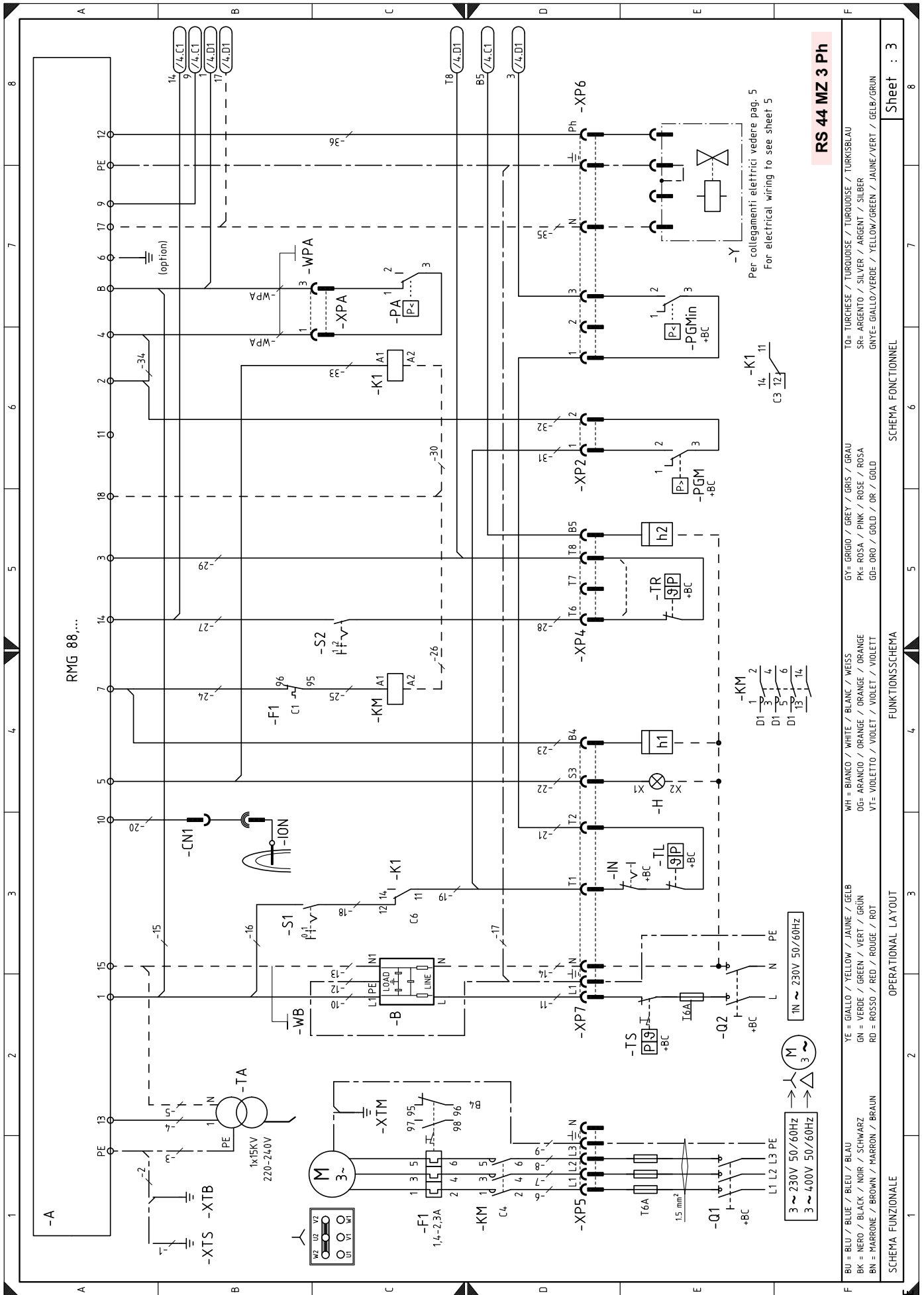
SCHEMA FONCTIONNEL

Sheet : 3



RS 44 MZ

BU = BLU / BLUE / BLEU / BLAU	YE = GIALLO / YELLOW / JAUNE / GELB	WH = BIANCO / WHITE / BLANK / WEISS	GY = GRIGIO / GREY / GRIS / GRAU	TO = TURCHESE / TURQUOISE / TURKISBLAU
BK = NERO / BLACK / NOIR / SCHWARZ	GN = VERDE / GREEN / GRÜN / GRÜN	OG = ARANCIO / ORANGE / ORANGE / ORANGE	PK = ROSA / PINK / ROSE / ROSA	SR = ARGENTO / SILVER / ARGENT / SILBER
BN = MARRONE / BROWN / MARRON / BRAUN	RD = ROSSO / RED / ROUGE / ROT	VI = VIOLETTA / VIOLET / VIOLET / VIOLETT	GD = ORO / GOLD / OR / GOLD	GNYE = GIALLO/VERDE / YELLOW/GREEN / JAUNE/VERT / GELB/GRÜN
SCHEMA FUNZIONALE		OPERATIONAL LAYOUT		SCHEMA FUNCTIONNEL
Sheet : 3		8		8



RS 44 MZ 3 Ph

TO= TURKISE / TURQUOISE / TURKOISE / TURKISBLAU	GY= GRIGIO / GREY / GRIS / GRAU	WH = BIANCO / WHITE / BLANK / WEISS	YE = GIALLO / YELLOW / JAUNE / GELB
SR= ARGENTO / SILVER / ARGENT / SILBER	PK= ROSA / PINK / ROSE / ROSA	OG= ARANCIO / ORANGE / ORANGE / ORANGE	GN = VERDE / GREEN / VERT / GRÜN
GNYE= GIALLO/VERDE / YELLOW/GREEN / JAUNE/VERT / GELB/GRÜN	GD= ORO / GOLD / OR / GOLD	VI= VIOLETTO / VIOLET / VIOLET / VIOLETT	RD = ROSSO / RED / ROUGE / ROT
			BN = MARRONE / BROWN / MARRON / BRAUN

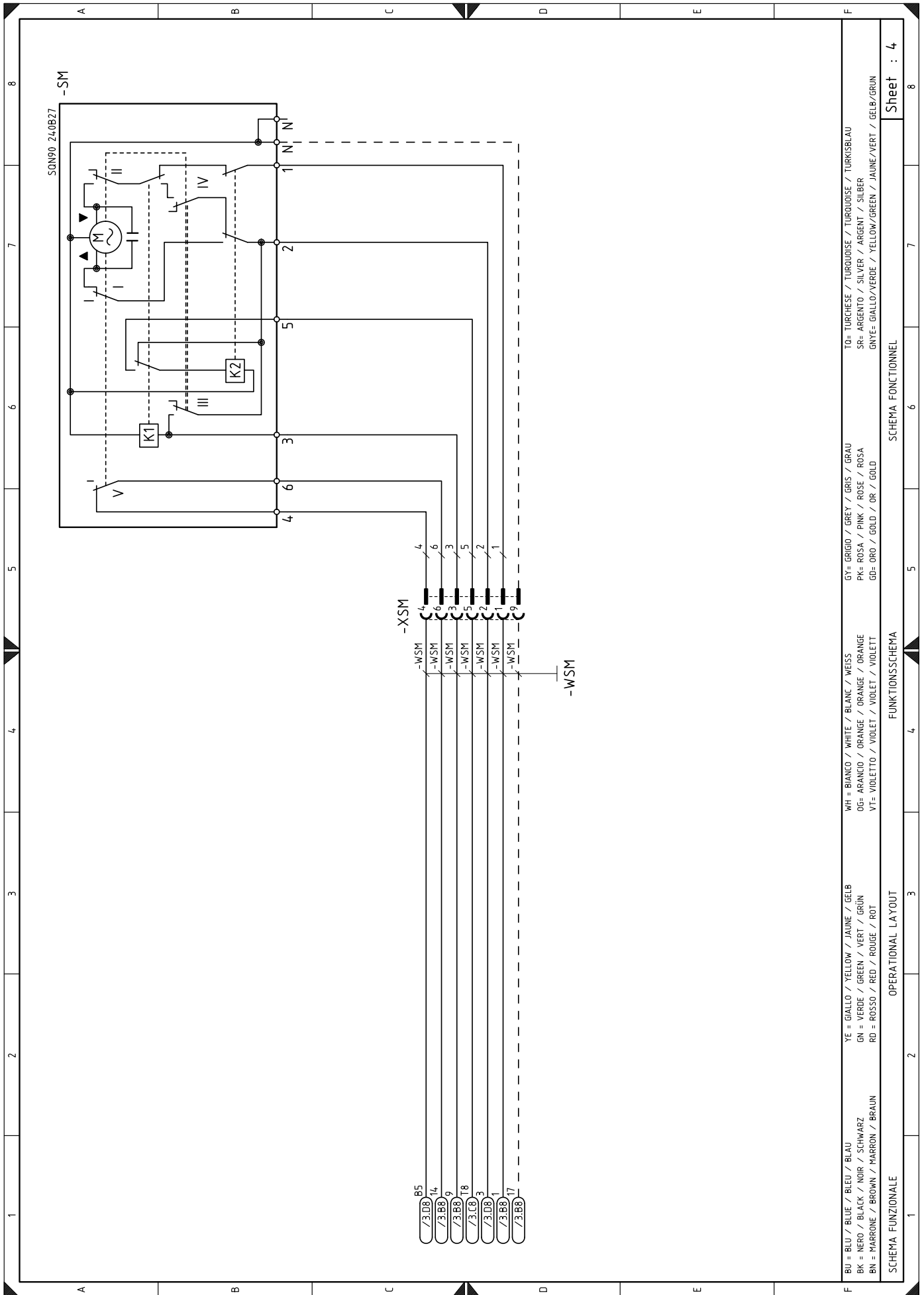
3 ~ 230V 50/60Hz	→ M
3 ~ 400V 50/60Hz	→ Δ

1N ~ 230V 50/60Hz	→ L
	→ N
	→ PE

SCHEMA FUNZIONALE / OPERATIONAL LAYOUT

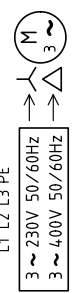
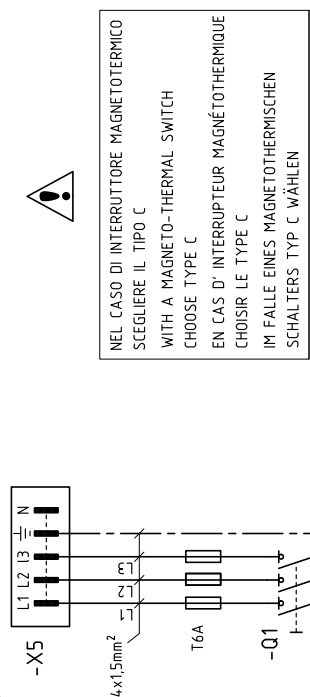
SCHEMA FUNCTIONNEL / FUNCTIONSSCHEMA

Sheet : 3

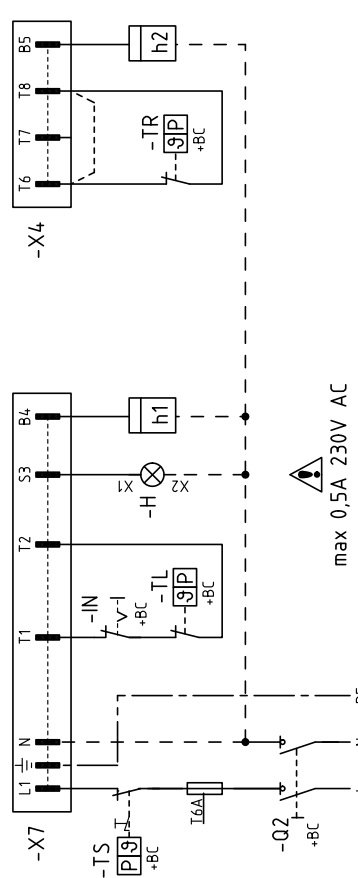
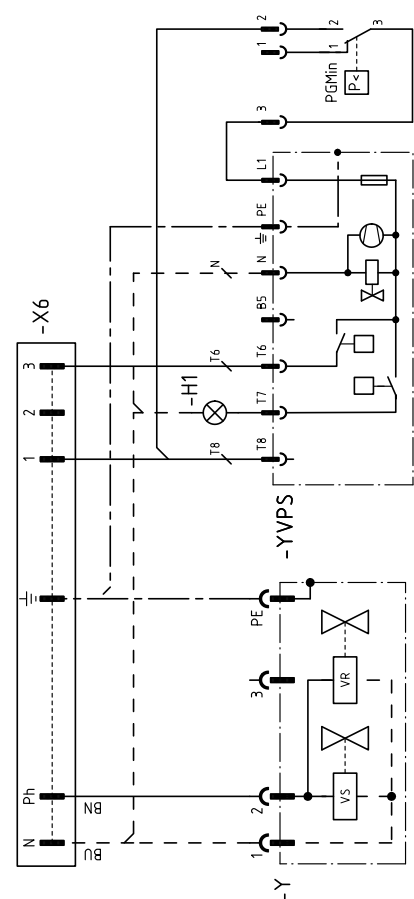


BU = BLU / BLUE / BLEU / BLAU	YE = GIALLO / YELLOW / JAUNE / GELB	WH = BIANCO / WHITE / BLANC / WEISS	GY = GRIGIO / GREY / GRIS / GRAU	TO = TURCHESE / TURQUOISE / TURKISBLAU											
BK = NERO / BLACK / NOIR / SCHWARZ	GN = VERDE / GREEN / VERT / GRÜN	OG = ARANCIO / ORANGE / ORANGE / ORANGE	PK = ROSA / PINK / ROSE / ROSA	SR = ARGENTO / SILVER / ARGENT / SILBER											
BN = MARRONE / BROWN / MARRON / BRAUN	RD = ROSSO / RED / ROUGE / ROT	VI = VIOLETT / VIOLET / VIOLET / VIOLETT	GD = ORO / GOLD / OR / GOLD	GNYE = GIALLO/VERDE / YELLOW/GREEN / JAUNE/VERT / GELB/GRÜN											
SCHEMA FUNZIONALE		OPERATIONAL LAYOUT		SCHEMA FONCTIONNEL											
1		2		3		4		5		6		7		8	
Sheet : 4															

SOLO PER LA VERSIONE TRIFASE/ONLY FOR THE THREE PHASE VERSION

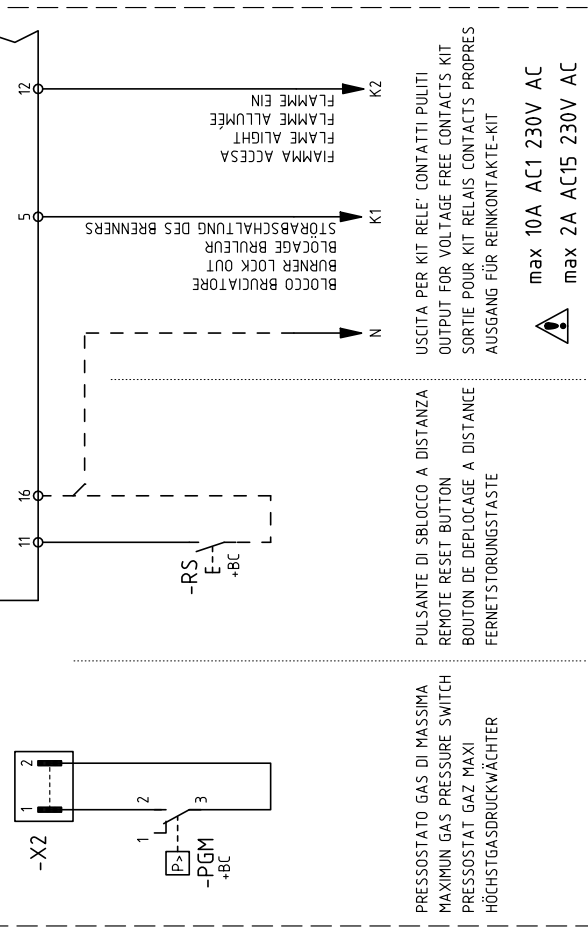


CONTROLLO TENUTA VPS 504 - VPS 504 GAS LEAKAGE DETECTOR
VPS 504 CONTROLE D' ETANCHEITE GAZ - VPS 504 DICHTHEITSKONTROLLE



IN ~ 230V 50/60Hz

KITS



max 10A AC1 230V AC
max 2A AC15 230V AC

BU = BLU / BLUE / BLEU / BLAU	WH = BIANCO / WHITE / BLANK / WEISS	GY = GRIGIO / GREY / GRIS / GRAU	TO = TURCHESE / TURQUOISE / TURKISBLAU
BK = NERO / BLACK / NOIR / SCHWARZ	OG = ARANCIO / ORANGE / ORANGE / ORANGE	PK = ROSA / PINK / ROSE / ROSA	SR = ARGENTO / SILVER / ARGENT / SILBER
BN = MARRONE / BROWN / MARRON / BRAUN	VI = VIOLETTA / VIOLET / VIOLET / VIOLETT	GD = ORO / GOLD / OR / GOLD	GYE = GIALLO/VERDE / YELLOW/GREEN / JAUNE/VERT / GELB/GRÜN

COLLEGAMENTI ELETTRICI A CURA DELL' INSTALLATORE ELECTRICAL CONNECTIONS SET BY INSTALLER ELEKTROANSCHLÜSSE VOM INSTALLATEUR AUSZUFÜHREN RACCORDEMENTS ÉLECTRIQUE EFFECTUÉ PAR L' INSTALLATEUR

Sheet : 5

KEY TO ELECTRICAL LAYOUT

A	- Electrical control box
B	- Radio noise filter
+BB	- Components on burners
+BC	- Components on boiler
C1	- Capacitor
CN1	- Ionisation probe connector
F1	- Fan motor thermal relay
H	- Remote lockout signalling
H1	- Lockout YVPS
IN	- Manual burner stop switch
ION	- Ionisation probe
h1	- Hour counter
h2	- Hour counter 2 nd stage
K1	- Relay
KM	- Motor contact maker
MV	- Fan motor
PA	- Air pressure switch
PGM	- Maximum gas pressure switch
PGMin	- Low gas pressure switch
Q1	- Three phase knife switch
Q2	- Single-phase knife switch
RS	- Remote reset button
S1	- Selector: burner off - on
S2	- Selector: 1st - 2nd stage operation
SM	- Servomotor
TA	- Ignition transformer
TL	- Limit thermostat/pressure switch
TR	- Adjustment thermostat/pressure switch
TS	- Safety thermostat/pressure switch
Y	- Gas regulation valve + gas safety valve
YVPS	- Gas valve leak detection control device
XPA	- Air pressure switch connector
XP2	- Maximum gas pressure switch connector
XP4	- 4-pole socket
XP5	- 5-pole socket
XP6	- 6-pole socket
XP7	- 7-pole socket
XSM	- Servomotor connector
XTB	- Shelf earth
XTM	- Fan assembly earth
XTS	- Servomotor assembly earth
X2	- 2-pin plug
X4	- 4-pin plug
X5	- 5-pin plug
X6	- 6-pin plug
X7	- 7-pin plug

LEYENDA ESQUEMAS ELÉCTRICOS

A	- Caja de control eléctrica
B	- Filtro antiinterferencias radio
+BB	- Componentes a bordo de los quemadores
+BC	- Componentes a bordo de la caldera
C1	- Condensador
CN1	- Conector para sonda de ionización
F1	- Relé térmico motor ventilador
H	- Señalización de bloqueo a distancia
H1	- Bloqueo YVPS
IN	- Interruptor parada manual del quemador
ION	- Sonda de ionización
h1	- Cuentahoras
h2	- Cuentahoras 2 ^a llama
K1	- Relé
KM	- Contador motor
MV	- Motor ventilador
PA	- Presostato aire
PGM	- Presostato gas de máxima
PGMin	- Presostato gas de mínima
Q1	- Interruptor seccionador trifásico
Q2	- Interruptor seccionador monofásico
RS	- Botón de desbloqueo quemador a distancia
S1	- Selector: marcha - paro
S2	- Selector: 1. ^a - 2. ^a llama
SM	- Servomotor
TA	- Transformador de encendido
TL	- Termostato/presostato de límite
TR	- Termostato/presostato de regulación
TS	- Termostato/presostato de seguridad
Y	- Válvula de regulación gas + válvula de seguridad gas
YVPS	- Dispositivo de control de estanqueidad válvula gas
XPA	- Conector presostato aire
XP2	- Conector presostato gas de máxima
XP4	- Conector hembra de 4 contactos
XP5	- Conector hembra de 5 contactos
XP6	- Conector hembra de 6 contactos
XP7	- Conector hembra de 7 contactos
XSM	- Conector servomotor
XTB	- Tierra ménsula
XTM	- Tierra grupo ventilador
XTS	- Tierra grupo servomotor
X2	- Conector macho de 2 contactos
X4	- Conector macho de 4 contactos
X5	- Conector macho de 5 contactos
X6	- Conector macho de 6 contactos
X7	- Conector macho de 7 contactos

LEGENDA ESQUEMAS ELÉCTRICOS

A	- Caixa de controlo eléctrica
B	- Filtro contra radio-interferências
+BB	- Componentes bordo queimadores
+BC	- Componentes bordo caldeira
C1	- Condensador
CN1	- Conector sonda de ionização
F1	- Relé térmico motor ventilador
H	- Sinalização de bloqueio remoto
H1	- Bloqueio YVPS
IN	- Interruptor paragem manual queimador
ION	- Sonda de ionização
h1	- Conta-horas
h2	- Conta-horas 2ª chama
K1	- Relé
KM	- Contactador motor
MV	- Motor ventilador
PA	- Pressostato de ar
PGM	- Pressostato gás de máxima
PGMin	- Pressostato de gás de mínima
Q1	- Interruptor seccionador trifásico
Q2	- Interruptor seccionador monofásico
RS	- Botão de desbloqueio queimador a distância
S1	- Selector: arranque - paragem
S2	- Selector: 1ª - 2ª chama
SM	- Servomotor
TA	- Transformador de acendimento
TL	- Termóstato/pressostato de limite
TR	- Termóstato/pressostato de regulação
TS	- Termóstato/pressostato de segurança
Y	- Válvula de regulação gás + válvula de segurança gás
YVPS	- Dispositivo de controlo da estanquidade das válvulas gás
XPA	- Conector pressostato de ar
XP2	- Conector pressostato gás de máxima
XP4	- Tomada de 4 pólos
XP5	- Tomada de 5 pólos
XP6	- Tomada de 6 pólos
XP7	- Tomada de 7 pólos
XSM	- Conector servomotor
XTB	- Terra consola
XTM	- Terra grupo ventilador
XTS	- Terra grupo servomotor
X2	- Ficha de 2 pólos
X4	- Ficha de 4 pólos
X5	- Ficha de 5 pólos
X6	- Ficha de 6 pólos
X7	- Ficha de 7 pólos

RIELLO

RIELLO S.p.A.
I-37045 Legnago (VR)
Tel.: +39.0442.630111
[http:// www.riello.it](http://www.riello.it)
[http:// www.riello.com](http://www.riello.com)