

- GB** **Forced draught gas burners**
- E** **Quemadores de gas con aire soplado**
- P** **Queimadores a gás com ar insuflado**

Two-stage progressive operation
Funcionamiento a dos llamas progresivas
Funcionamento a duas chamas progressivas



CODE - CÓDIGO	MODEL - MODELO	TYPE - TIPO
3785104 - 3785105	RS 70	821 T1
3785304 - 3785305	RS 100	822 T1
3785504 - 3785505	RS 130	823 T1



Translation of the original instructions
Traducción de las instrucciones originales
Tradução das instruções originais

TECHNICAL DATA	page 2
Electrical data	2
Variants	2
Burner description	3
Packaging - Weight	3
Max. dimensions	3
Standard equipment	3
Firing rates	4
Test boiler	4
Commercial boilers	4
Gas pressure	5
INSTALLATION	6
Boiler plate	6
Blast tube length	6
Securing the burner to the boiler	6
Setting the combustion head	7
Gas line	8
Electrical system	9
Adjustments before firing	12
Servomotor	12
Burner starting	12
Burner firing	12
Burner calibration:	13
1 - Firing output	13
2 - 2nd stage output	13
3 - 1st stage output	14
4 - Intermediates outputs	14
5 - Air pressure switch	15
6 - Minimum gas pressure switch	15
Flame present check	15
Burner operation	16
Final checks	17
Maintenance	17
Safety test - with gas ball valve closed	18
Burner start-up cycle diagnostics	19
Resetting the control box and using diagnostics	19
Fault - Probable cause - Suggested remedy	20
Normal operation / flame detection time	21
Accessories	21

N.B.

Figures mentioned in the text are identified as follows:

- 1)(A) = part 1 of figure A, same page as text;
- 1)(A)p.3 = part 1 of figure A, page number 3.

TECHNICAL DATA

MODEL			RS 70	RS 100	RS 130			
TYP			821 T1	822 T1	823 T1			
OUTPUT ⁽¹⁾	2nd stage	kW Mcal/h	465 - 814 400 - 700	698 - 1163 600 - 1000	930 - 1512 800 - 1300			
	min. 1st stage	kW Mcal/h	192 165	232 200	372 320			
FUEL			NATURAL GAS: G20 - G21 - G22 - G23 - G25					
			G20	G25	G20	G25	G20	G25
- Pressure at maximum delivery ⁽²⁾		mbar	10,3	15,2	9,3	13,7	8,6	12,7
OPERATION			<ul style="list-style-type: none"> Intermittent (min. 1 stop in 24 hours). Two-stage (high and low flame) and single-stage (all-nothing) 					
STANDARD APPLICATIONS			Boilers: water, steam, diathermic oil					
AMBIENT TEMPERATURE		°C	0 - 40					
COMBUSTION AIR TEMPERATURE		°C max	60					
ELECTRICAL PROTECTION			IP 44					
IN CONFORMITY WITH DIRECTIVES			2009/142 - 2006/42 - 2014/35 - 2014/30					
NOISE LEVELS ⁽³⁾	SOUND PRESSURE	dB(A)	75	77	78,5			
	SOUND POWER		86	88	89,5			
APPROVAL		CE	0085AP0944	0085AP0945	0085AP0946			

(1) Reference conditions: Ambient temperature 20°C - Barometric pressure 1000 mbar - Altitude 100 m a.s.l.

(2) Pressure at test point 16)(A)p.3, with zero pressure in the combustion chamber, with open gas ring 2)(B)p.7 an maximum burner output

(3) Sound pressure measured in manufacturer's combustion laboratory, with burner operating on test boiler and at maximum rated output. The sound power is measured with the "Free Field" method, as per EN 15036, and according to an "Accuracy: Category 3" measuring accuracy, as set out in EN ISO 3746.

ELECTRICAL DATA

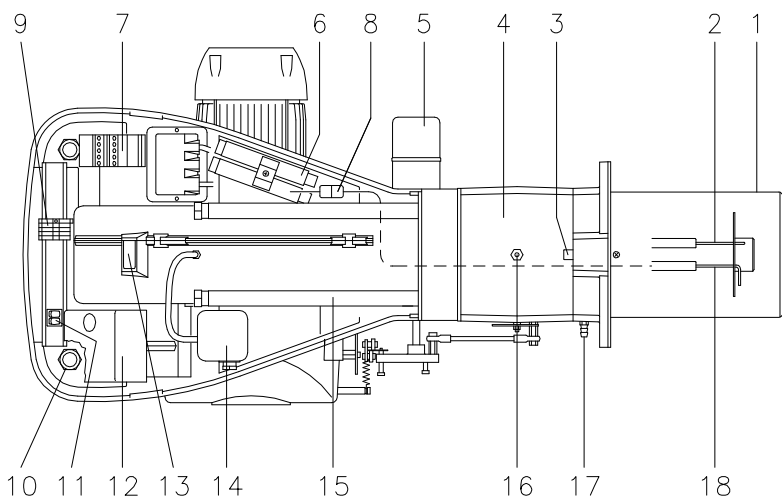
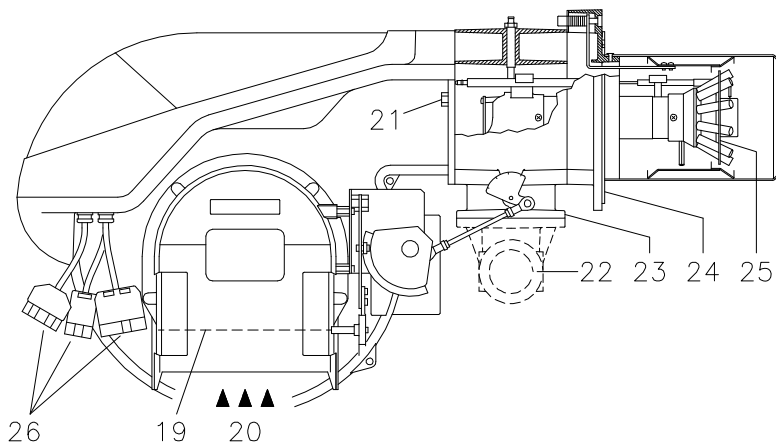
MODEL		RS 70	RS 100	RS 130
ELECTRICAL SUPPLY	V Hz	230 - 400 with neutral ~ +/-10% 50 - three-phase		
ELECTRIC MOTOR IE3	rpm	2860	2850	2860
	kW	1,1	1,8	2,2
	V	230/400	230/400	230/400
	A	4.1/2.4	6.1/3.5	7.9/4.6
IGNITION TRANSFORMER	V1 - V2 I1 - I2	230 V - 2 x 5 kV 1.9 A - 30 mA		
ELECTRICAL POWER CONSUMPTION	kW max	1.9	2.6	3.1

VARIANTS

Model	Electrical supply	Blast tube length mm
RS 70	three-phase	250
	three-phase	385
RS 100	three-phase	250
	three-phase	385
RS 130	three-phase	280
	three-phase	415

GAS CATEGORY

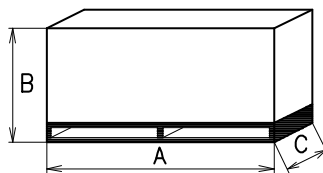
COUNTRY	CATEGORY
IT - AT - GR - DK - FI - SE	I12H3B / P
ES - GB - IE - PT	I12H3P
NL	I _{2L} - I _{2E} - I ₂ (43,46 ÷ 45,3 MJ/m ³ (0°C))
FR	I12Er3P
DE	I12ELL3B / P
BE	I2E(R)B, I3P
LU - PL	I12E 3B/P



(A)

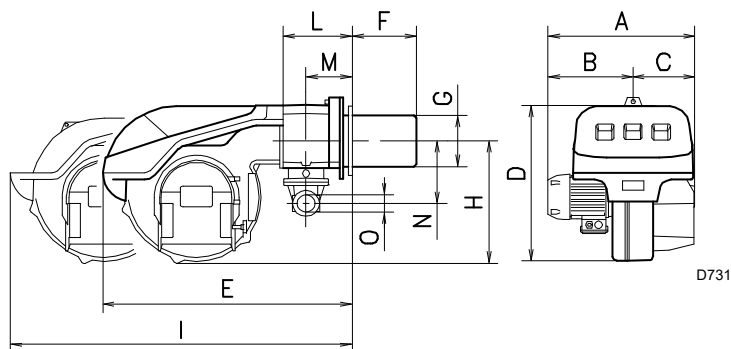
D3139

mm	A	B	C	kg
RS 70	1300	740	682	70
RS 100	1300	740	682	73
RS 130	1300	740	682	76



(B)

D36



D731

mm	A	B	C	D	E	F ₍₁₎	G	H	I ₍₁₎	L	M	N	O
RS 70	511	296	215	555	840	250 - 385	179	430	1161-1296	214	134	221	2"
RS 100	527	312	215	555	840	250 - 385	179	430	1161-1296	214	134	221	2"
RS 130	553	338	215	555	840	280 - 415	189	430	1161-1296	214	134	221	2"

(1) Blast tube: short-lang

(C)

BURNER DESCRIPTION (A)

- 1 Combustion head
- 2 Ignition electrode
- 3 Screw for combustion head adjustment
- 4 Sleeve
- 5 Servomotor controlling the gas butterfly valve and of air gate valve (by means of a variable profile cam mechanism).
When the burner is stopped the air gate valve will be completely closed to reduce heat loss due to the flue draught, which tends to draw air from the fan air inlet.
- 6 Extension for slide bars 15)
- 7 Motor contactor and thermal cut-out reset button
- 8 Plug-socket on ionisation probe cable
- 9 Terminal strip
- 10 Fairleads for electrical connections by installer
- 11 Two switches:
- one "burner off-on"
- one for "1st - 2nd stage operation"
- 12 Control box with lock-out pilot light and lock-out reset button
- 13 Flame inspection window
- 14 Minimum air pressure switch (differential operating type)
- 15 Slide bars for opening the burner and inspecting the combustion head
- 16 Gas pressure test point and head fixing screw
- 17 Air pressure test point
- 18 Flame sensor probe
- 19 Air gate valve
- 20 Air inlet to fan
- 21 Screws securing fan to sleeve
- 22 Gas input pipework
- 23 Gas butterfly valve
- 24 Boiler mounting flange
- 25 Flame stability disk
- 26 Socket for electrical connections

Two types of burner failure may occur:

- **Control box lock-out:** if the control box 12)(A) pushbutton (red led) lights up, it indicates that the burner is in lock-out. To reset, hold the pushbutton down for between 1 and 3 seconds.
- **Motor trip:** release by pressing the pushbutton on thermal cutout 7)(A).

PACKAGING - WEIGHT (B)

Approximate measurements

- The burner stands on a wooden base which can be lifted by fork-lifts. Outer dimensions of packaging are indicated in (B).
- The weight of the burner complete with packaging is indicated in Table (B).

MAX. DIMENSIONS (C)

Approximate measurements

The maximum dimensions of the burner are given in (C).

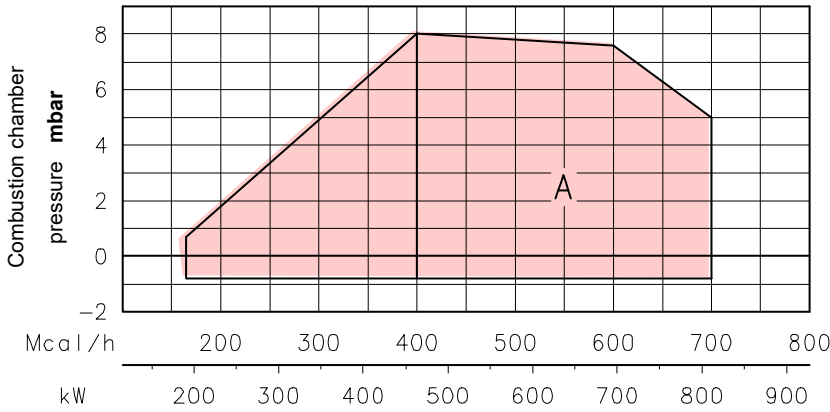
Bear in mind that inspection of the combustion head requires the burner to be opened by withdrawing the rear part on the slide bars.

The maximum dimension of the burner when open is give by measurement I.

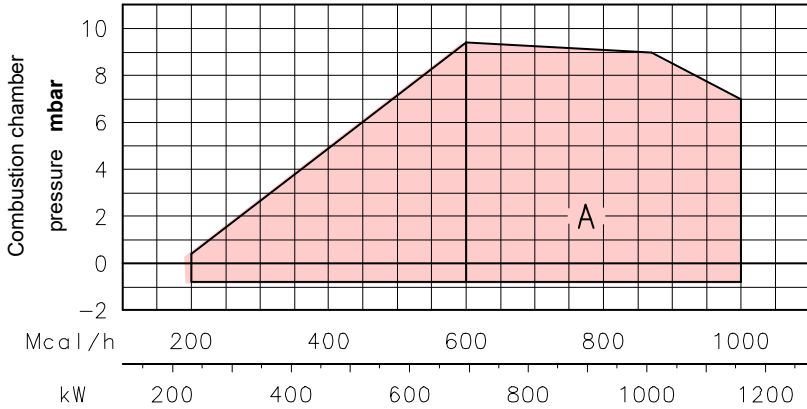
STANDARD EQUIPMENT

- 1 - Gas train flange
- 1 - Flange gasket
- 4 - Flange fixing screws M 10 x 35
- 1 - Thermal insulation screen
- 2 - Extensions 6)(A) for slide bars 15)(A) (for models with 385-415 mm blast tube)
- 4 - Screws to secure the burner flange to the boiler: M 12 x 35
- 3 - Plugs for electrical connections
- 1 - Instruction booklet
- 1 - Spare parts list

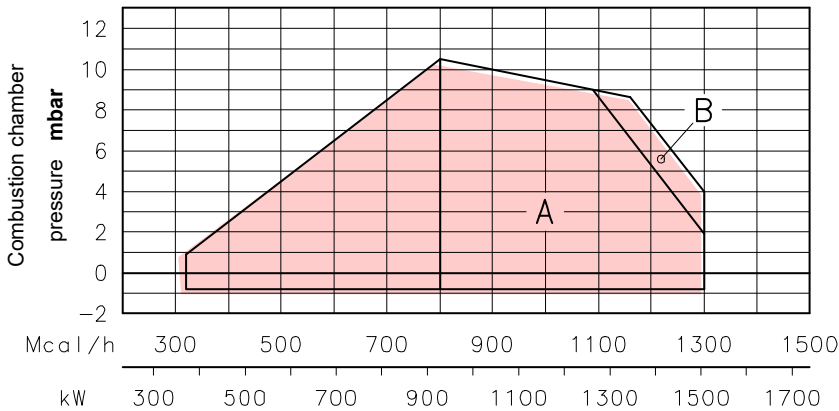
RS 70



RS 100



RS 130



FIRING RATES (A)

The RS 70-100-130 Model burners can work in two ways: one-stage and two-stage

MAXIMUM OUTPUT must be selected in area A. In order to utilize also area B (RS 130) it is necessary to perform the calibration of the combustion head as explained on page 6.

MINIMUM OUTPUT must not be lower than the minimum limit shown in the diagram.

- RS 70 = 192 kW
- RS 100 = 232 kW
- RS 130 = 372 kW



Important

The FIRING RATE value range has been obtained considering an ambient temperature of 20 °C, and an atmospheric pressure of 1000 mbar (approx. 100 m above sea level) and with the combustion head adjusted as shown on page 7.

TEST BOILER (B)

The firing rates were set in relation to special test boilers, according to EN 676 regulations. Figure (B) indicates the diameter and length of the test combustion chamber.

Example:

Output 756 kW:
diameter = 60 cm; length = 2 m.

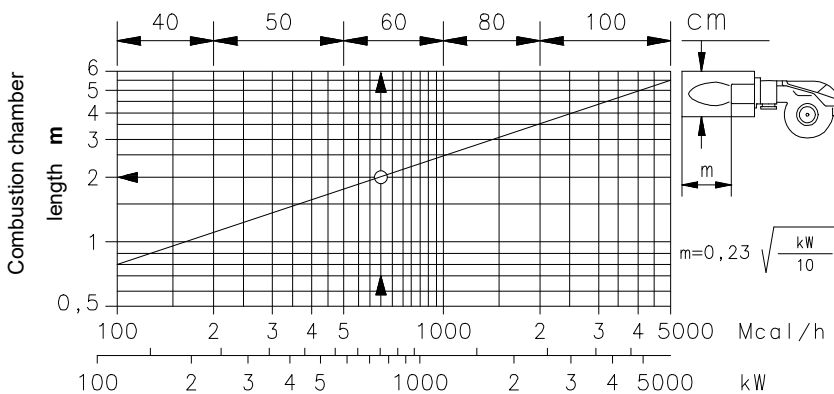
COMMERCIAL BOILERS

The burner/boiler combination does not pose any problems if the boiler is CE type-approved and its combustion chamber dimensions are similar to those indicated in diagram (B).

If the burner must be combined with a commercial boiler that has not been CE type-approved and/or its combustion chamber dimensions are clearly smaller than those indicated in diagram (B), consult the manufacturer.

(A)

D950

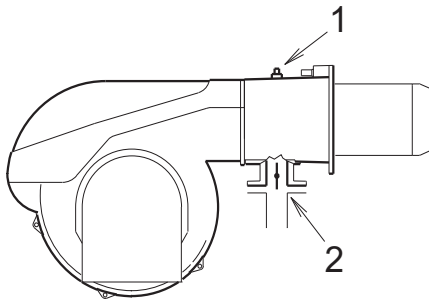


(B)

D715

	kW	1 Δp (mbar)		2 Δp (mbar)	
		G 20	G 25	G 20	G 25
RS 70	470	4.2	6.3	0.4	0.6
	550	5.3	7.9	0.6	0.9
	650	6.7	10.0	0.8	1.2
	850	10.8	16.1	1.3	2.0
	930	12.9	19.2	1.6	2.4
RS 100	700	3.1	4.6	0.7	1.1
	800	4.3	6.4	0.9	1.4
	1000	6.8	10.1	1.3	2.0
	1200	9.1	13.6	1.9	2.8
	1340	11.4	17.0	2.4	3.6
RS 130	930	4.6	6.9	0.2	0.3
	1090	5.8	8.7	0.6	0.8
	1250	7.0	10.4	1.2	1.8
	1410	8.3	12.4	1.5	2.2
	1512	9.1	13.6	1.5	2.2

(A)



(B)

S8883

GAS PRESSURE

The adjacent tables show minimum pressure losses along the gas supply line depending on the burner output in 2nd stage operation.

Column 1

Pressure loss at combustion head.

Gas pressure measured at test point 1)(B), with:

- Combustion chamber at 0 mbar
- Burner operating in 2nd stage
- Gas ring 2)(B)p. 7 adjusted as indicated in diagram (C)p. 7.

Column 2

Pressure loss at gas butterfly valve 2)(B) with maximum opening: 90°.

The values shown in the various tables refer to:

- natural gas G 20 PCI 9,45 kWh/Sm³ (8,2 Mcal/Sm³)
- natural gas G 25 PCI 8,13 kWh/Sm³ (7,0 Mcal/Sm³)

Calculate the approximate 2nd stage output of the burner thus:

- subtract the combustion chamber pressure from the gas pressure measured at test point 1)(B).
- Find the nearest pressure value to your result in column 1 of the table for the burner in question.
- Read off the corresponding output on the left.

Example - RS 130:

- 2nd stage operation
 - Gas ring 2)(B)p. 7 adjusted as indicated in diagram (C)p. 7.
 - Gas pressure at test point 1)(B) = 9 mbar
 - Pressure in combustion chamber = 2 mbar
- $$9 - 2 = 7 \text{ mbar}$$

A 2nd stage output of 1250 kW shown in Table RS 100 corresponds to 7 mbar pressure, column 1.

This value serves as a rough guide, the effective delivery must be measured at the gas meter.

To calculate the required gas pressure at test point 1)(B), set the output required from the burner in 2nd stage operation:

- find the nearest output value in the table for the burner in question.
- Read off the pressure at test point 1)(B) on the right in column 1.
- Add this value to the estimated pressure in the combustion chamber.

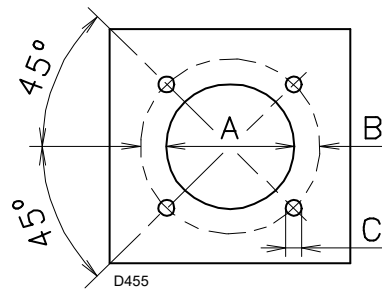
Example - RS 130:

- Required burner output in 2nd stage operation: 1250 kW
 - Gas ring 2)(B)p.7 adjusted as diagram (C)p.7.
 - Gas pressure at burner output of 1250 kW, taken from table RS 100, column 1 = 7 mbar
 - Pressure in combustion chamber = 2 mbar
- $$7 + 2 = 9 \text{ mbar}$$
- pressure required at test point 1)(B).



The data of thermal output and combustion head gas pressure are related to full open (90°) gas butterfly valve.

mm	A	B	C
RS 70	185	275 - 325	M 12
RS 100	185	275 - 325	M 12
RS 130	195	275 - 325	M 12



(A)

INSTALLATION

BOILER PLATE (A)

Drill the combustion chamber locking plate as shown in (A). The position of the threaded holes can be marked using the thermal screen supplied with the burner.

BLAST TUBE LENGTH (B)

The length of the blast tube must be selected according to the indications provided by the manufacturer of the boiler, and in any case it must be greater than the thickness of the boiler door complete with its fettling. The range of lengths available, L (mm), is as follows:

Blast tube 12):	RS 70	RS 100	RS 130
• short	250	250	280
• long	385	385	415

For boilers with front flue passes 15) or flame inversion chambers, protective fettling in refractory material 13) must be inserted between the boiler fettling 14) and the blast tube 12).

This protective fettling must not compromise the extraction of the blast tube.

For boilers having a water-cooled front the refractory fettling 13)-14)(B) is not required unless it is expressly requested by the boiler manufacturer.

SECURING THE BURNER TO THE BOILER (B)

Before securing the burner to the boiler, check through the blast tube opening to make sure that the flame sensor probe and the ignition electrode are correctly set in position, as shown in (C).

Now detach the combustion head from the burner, fig.(B):

- loosen the 4 screws 3) and remove the cover 1)
 - Disengage the articulated coupling 7) from the graduated sector 8).
 - Remove the screws 2) from the slide bars 5).
 - Remove the two screws 4) and pull the burner back on slide bars 5) by about 100 mm.
- Disconnect the wires from the probe and the electrode and then pull the burner completely off the slide bars.

COMBUSTION HEAD CALIBRATION

At this point check, for model RS 130, whether the maximum delivery of the burner in 2nd stage operation is contained in area A or in area B of the firing rate. See page 8.

If it is in area A then no operation is required.

If, on the other hand, it is in area B:

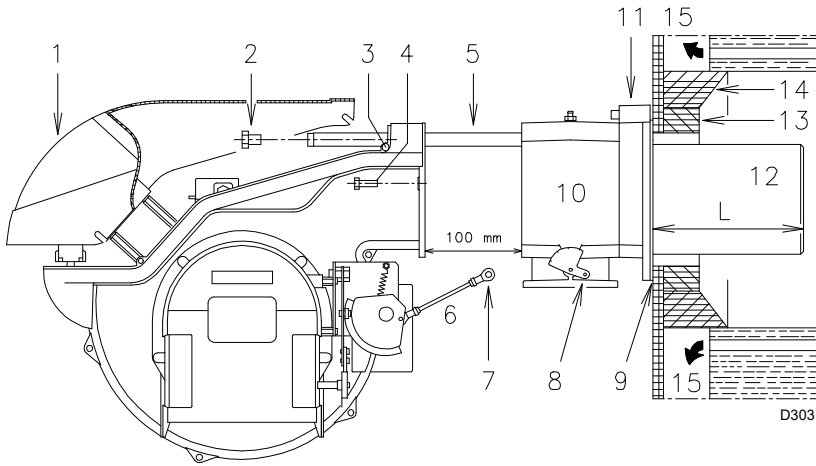
- unscrew the screws 1)(D) and disassemble the blast tube 2).
- Move the fixing of the rod 3)(D) from position A to position B, thereby causing the shutter 4) to retract.
- Now refit the blast tube 2)(D) and the screws 1).

Once this operation has been carried out (if it was required), secure the flange 11)(B) to the boiler plate, interposing the thermal insulating screen 9)(B) supplied with the burner. Use the 4 screws, also supplied with the unit, after first protecting the thread with an anti-locking product.

The seal between burner and boiler must be airtight.

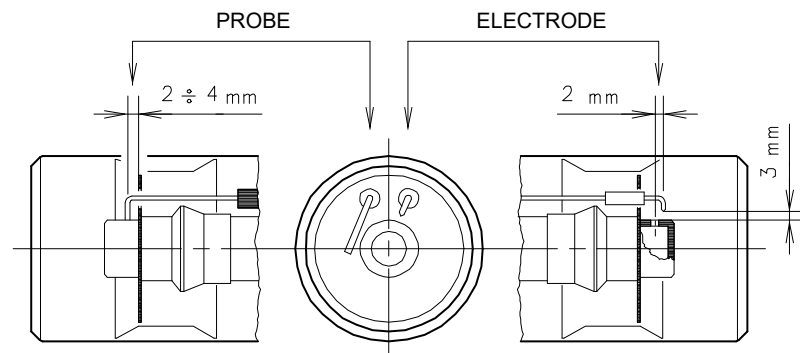
If you noticed any irregularities in positions of the probe or ignition electrode during the check mentioned above, remove screw 1)(E), extract the internal part 2)(E) of the head and proceed to set up the two components correctly.

Do not attempt to turn the probe. Leave it in the position shown in (C) since if it is located too close to the ignition electrode the control box amplifier may be damaged.



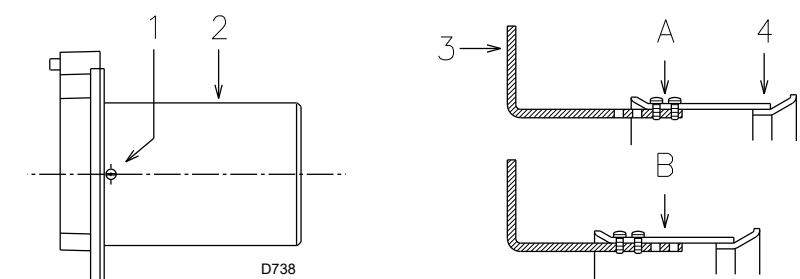
D3031

(B)



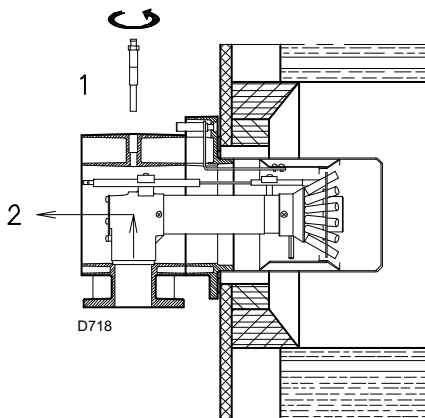
D613

(C)



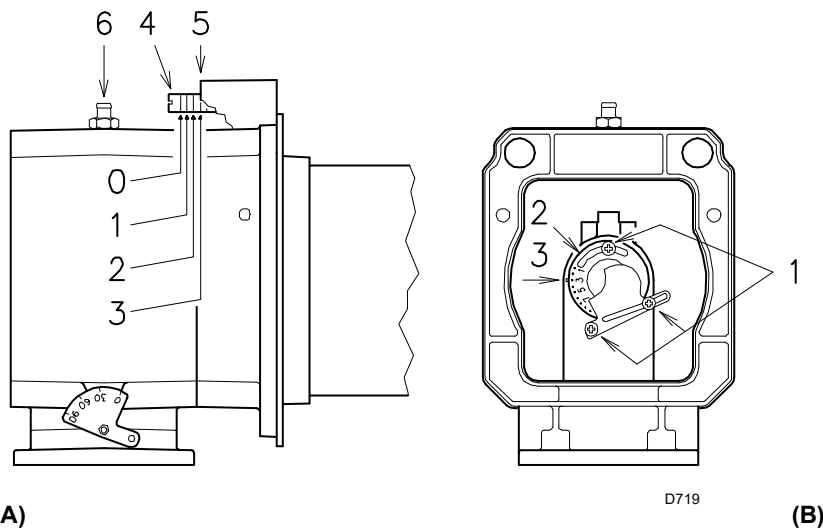
D738

(D)



D718

(E)



SETTING THE COMBUSTION HEAD

Installation operations are now at the stage where the blast tube and sleeve are secured to the boiler as shown in fig. (A). It is now a very simple matter to set up the combustion head, as this depends solely on the output developed by the burner in 2nd stage operation.

It is therefore essential to establish this value before proceeding to set up the combustion head.

There are two adjustments to make on the head:
air and gas deliveries.

In diagram (C) find the notch to use for adjusting the air and the gas, and then proceed as follows:

Air adjustment (A)

Turn screw 4)(A) until the notch identified is aligned with the front surface 5)(A) of the flange.

Gas adjustment (B)

Loosen the 3 screws 1)(B) and turn ring 2) until the notch identified is aligned with index 3). Tighten the 3 screws 1) fully down.

Example RS 70:

Burner output = 581 kW (500 Mcal/h).

If we consult diagram (C) we find that for this output, air and gas must be adjusted using notch 3, as shown in figs.(A) and (B).

Note

Diagram (C) shows the ideal settings for the combustion head. If the gas mains pressure is too low to reach the 2nd stage operation pressure indicated on page 5, and if the ring 2)(B) is not fully open, it can be opened wider by 1 or 2 notches.

Continuing with the previous example, page 5 indicates that for burner RS 70 with output of 581 kW (500 Mcal/h) a pressure of approximately 6 mbar is necessary at test point 6)(A). If this pressure cannot be reached, open the ring 2)(B) to notch 4 or 5.

Make sure that the combustion characteristics are satisfactory and free of pulsations.

Once you have finished setting up the head, refit the burner to the slide bars 3)(D) at approximately 100 mm from the sleeve 4)(D) - burner positioned as shown in fig.(B)p.6 - insert the flame detection probe cable and the ignition electrode cable and then slide the burner up to the sleeve so that it is positioned as shown in fig.(D).

Refit screws 2) on slide bars 3).

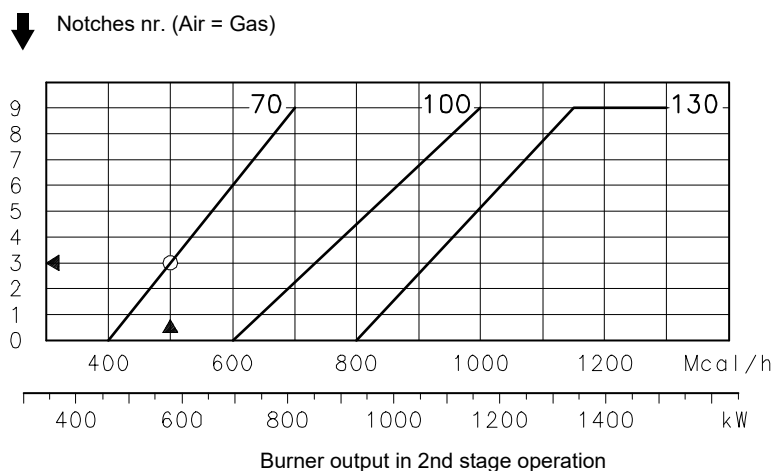
Secure the burner to the sleeve by tightening screw 1).

Reconnect the articulation 7) to the graduated sector 6).

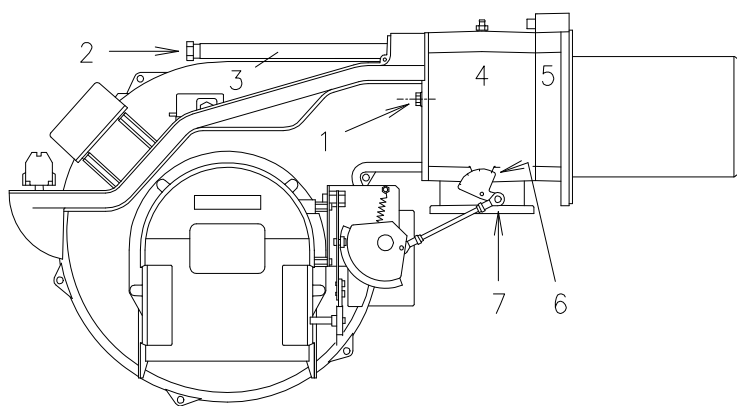


Important

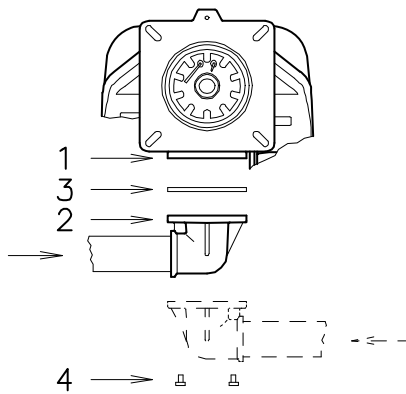
When fitting the burner on the two slide bars, it is advisable to gently draw out the high tension cable and flame detection probe cable until they are slightly stretched.



(C) D720



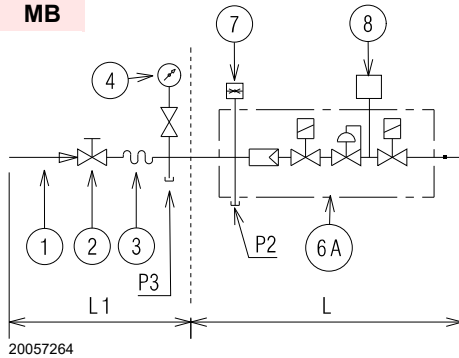
(D) D3032



(A)

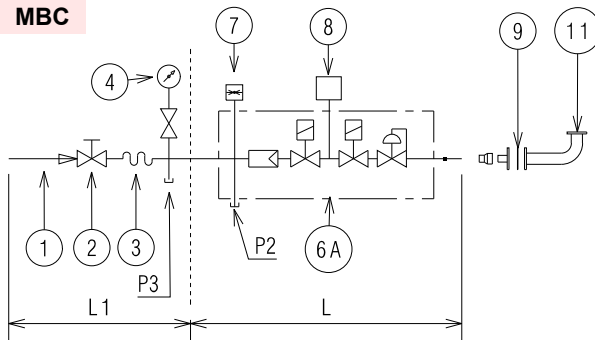
D722

MB



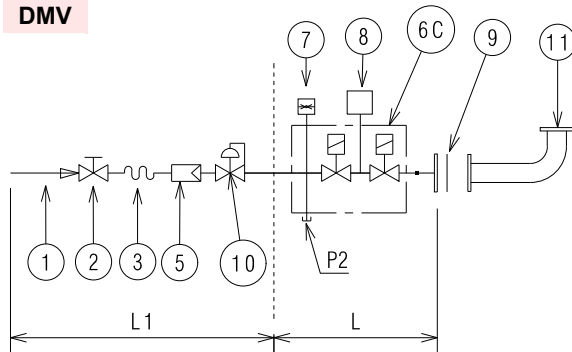
20057264

MBC



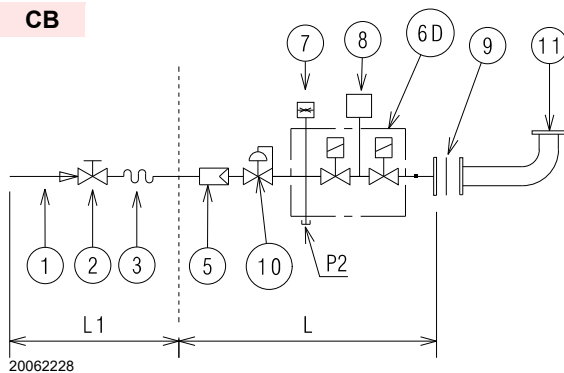
20062223

DMV



20062227

CB



20062228

(B)

GAS LINE

- The gas train must be connected to the gas attachment 1)(A), using flange 2), gasket 3) and screws 4) supplied with the burner.
- The gas train can enter the burner from the right or left side, depending on which is the most convenient, see fig.(A).
- Gas solenoids 8)-9)(B) must be as close as possible to the burner to ensure gas reaches the combustion head within the safety time range of 3 s.
- Make sure that the pressure governor calibration range (colour of the spring) comprises the pressure required by the burner.

GAS TRAIN (B)

Type-approved in accordance with EN 676 and supplied separately from the burner.

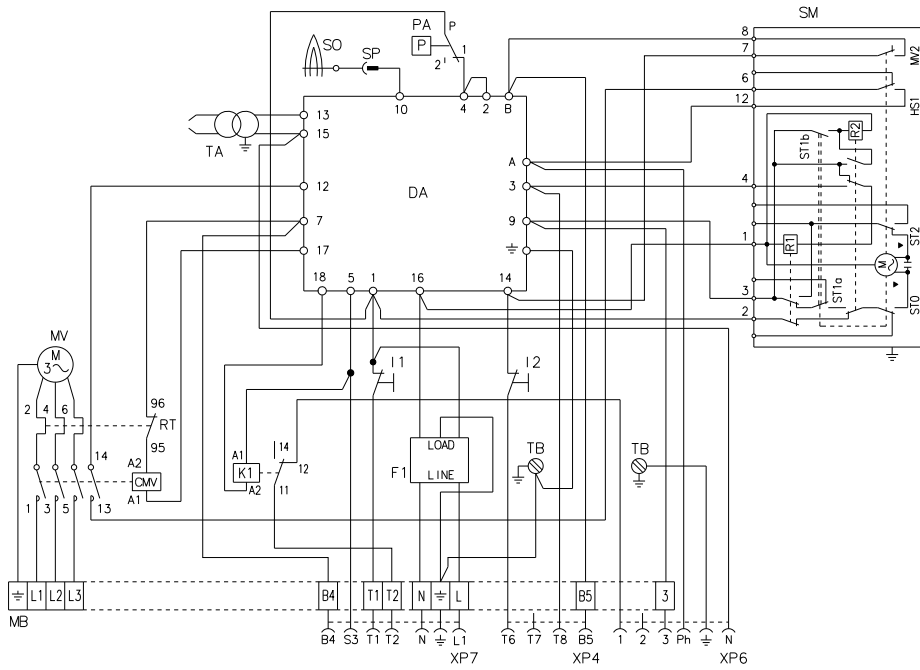
To select the correct model of the gas train, refer to the "burner-gas train combination" manual supplied.

KEY (B)

- 1 Gas input pipe
 - 2 Manual valve
 - 3 Vibration damping joint
 - 4 Pressure gauge with pushbutton cock
 - 5 Filter
 - 6A Includes:
 - Filter
 - working valve
 - safety valve
 - pressure adjuster
 - 6C Includes
 - safety valve
 - working valve
 - 6D Includes:
 - safety valve
 - working valve
 - 7 Minimum gas pressure switch
 - 8 Leak detection device, supplied as an accessory or incorporated, based on the gas train code. In compliance with the EN 676 standard, the leak detection control is compulsory for burners with maximum outputs over 1200 kW.
 - 9 Gasket, for "flanged" versions only
 - 10 Pressure adjuster
 - 11 Train-burner adaptor, supplied separately
- P2 Upstream pressure of valves/adjuster
 P3 Upstream pressure of the filter
 L Gas train supplied separately
 L1 The responsibility of the installer

Note

See the accompanying instructions for the adjustment of the gas train.



(A)

20126560

ELECTRICAL SYSTEM

ELECTRICAL SYSTEM as set up by the manufacturer

LAYOUT (A)

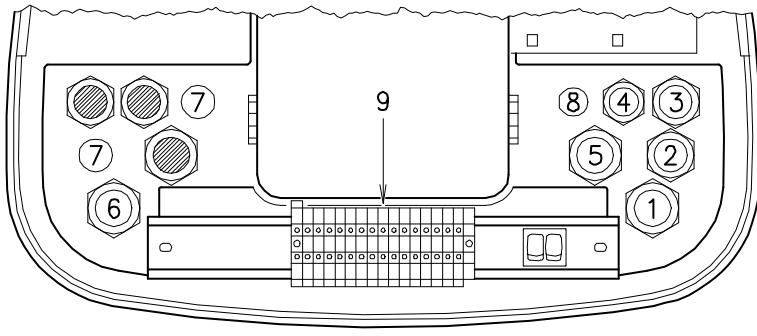
- Models RS 70 - RS 100 - RS 130 leave the factory preset for **400 V** power supply.
- If **230 V** power supply is used, change the motor connection from star to delta and change the setting of the thermal cut-out as well.

Key to Layout (A)

CMV	- Motor contactor
DA	- Control box (Landis RMG)
F1	- Protection against radio interference
K1	- Relay
I1	- Switch: burner off - on
I2	- Switch: 1st - 2nd stage operation
MB	- Burner terminal strip
MV	- Fan motor
PA	- Air pressure switch
RT	- Thermal cut-out
SM	- Servomotor
SO	- Ionisation probe
SP	- Plug-socket
TA	- Ignition transformer
TB	- Burner ground
XP4	- 4 pole socket
XP6	- 6 pole socket
XP7	- 7 pole socket

ATTENTION

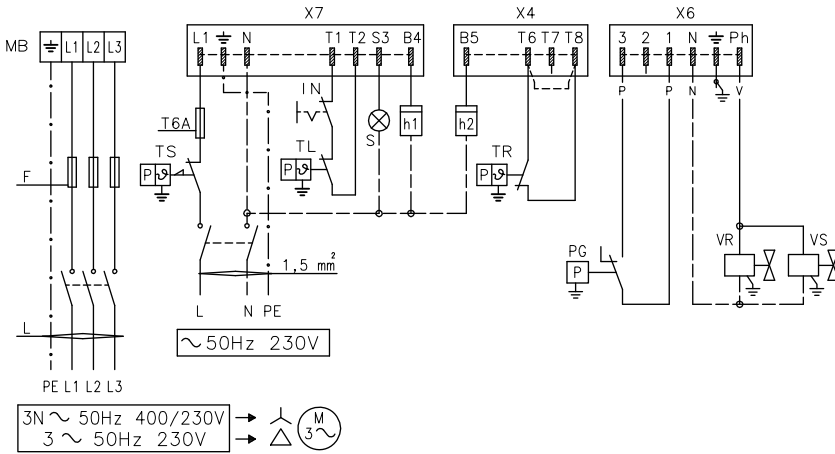
In the case of phase-phase feed, a bridge must be fitted on the control box terminal strip between terminal 6 and the earth terminal.



(A)

D955

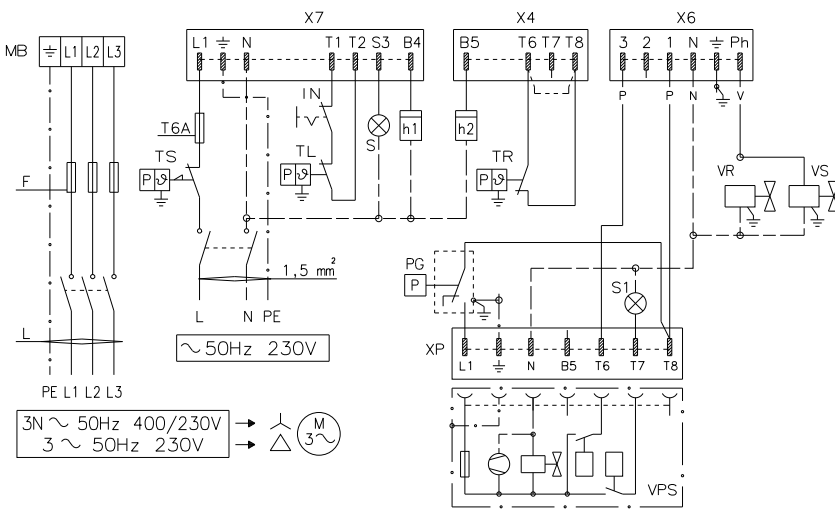
RS 70 - RS 100 - RS 130 without leak detection control device



(B)

D3141

RS 70 - RS 100 - RS 130 with leak detection control device VPS



(C)

D3142

		RS 70		RS 100		RS 130	
		230 V	400 V	230 V	400 V	230 V	400 V
F	A	T10	T6	T16	T10	T16	T10
L	mm ²	1,5	1,5	1,5	1,5	1,5	1,5

(D)

ELECTRICAL CONNECTIONS

Use flexible cables according to EN 60 335-1

Regulations:

- if in PVC sheath, use at least H05 VV-F
- if in rubber sheath, use at least H05 RR-F.

All the wires to connect to the burner terminal strip 9)(A) must enter through the supplied fair-leads.

The fairleads and hole press-outs can be used in various ways; the following lists show one possible solution:

- 1 - Pg 13,5 Three-phase power supply
- 2 - Pg 11 Socket XP6 - gas valves
- 3 - Pg 11 Socket XP7 - remote control device TL and single-phase power supply
- 4 - Pg 9 Socket XP4 - remote control device TR
- 5 - Pg 13,5 Not utilized
- 6 - Pg 13,5 Gas pressure switch or gas valve leak detection control device
- 7 - Pg 11 Open the hole, if a pipe union is to be added
- 8 - Pg 9 Open the hole, if a pipe union is to be added

LAYOUT (B)

Electrical connection RS 70 - 100 - 130 burners without leak detection control device.

LAYOUT (C)

Electrical connection RS 70 - 100 - 130 burners with VPS leak detection control device.

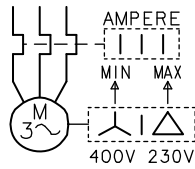
Gas valve leak detection control takes place immediately before every burner start-up.

Fuses and cables cross-section layouts (B) and (C), see table (D).

Cross-section when not indicated: 1,5 mm².

KEY TO LAYOUTS (B - C)

- h1 - 1st stage hourcounter
- h2 - 2nd stage hourcounter
- IN - Burner manual stop switch
- X4 - 4 pole plug
- X6 - 6 pole plug
- X7 - 7 pole plug
- XP - Plug for leak detection control device
- MB - Burner terminal strip
- PG - Min. gas pressure switch
- S - Remote lock-out signal
- S1 - Remote lock-out signal of leak detection control device
- TR - High-low mode load remote control system: controls operating stages 1 and 2.
If the burner is to be set up for single stage operation, replace of remote control device TR with a jumper.
- TL - Load limit remote control system: shuts down the burner when the boiler temperature or pressure reaches the preset value.
- TS - Safety load control system: operates when TL is faulty
- VR - Adjustment valve
- VS - Safety valve



(A)

D867

LAYOUT (A)

Calibration of thermal cut-out 7)(A)p. 3

This is required to avoid motor burn-out in the event of a significant increase in power absorption caused by a missing phase.

- If the motor is star-powered, **400 V**, the cursor should be positioned to "MIN".
- If the motor is delta-powered, **230 V**, the cursor should be positioned to "MAX".

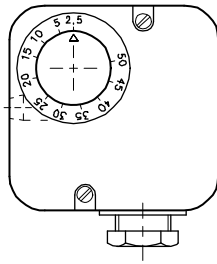
Even if the scale of the thermal cut-out does not include rated motor absorption at 400 V, protection is still ensured in any case.

N.B.

- The RS 70-100-130 burners leave the factory preset for 400 V power supply. If 230 V power supply is used, change the motor connection from star to delta and change the setting of the thermal cut-out as well.
- The RS 70-100-130 burners have been type-approved for intermittent operation. This means they should compulsorily be stopped at least once every 24 hours to enable the control box to check its own efficiency at start-up. Burner halts are normally provided for automatically by the boiler load control system.
If this is not the case, a time switch should be fitted in series to IN to provide for burner shut-down at least once every 24 hours.
- The RS 70-100-130 burners are factory set for two-stage operation and must therefore be connected to control device TR.
Alternatively, if single stage operation is required, instead of control device TR install a jumper lead between terminals 6 and 7 of the terminal strip.

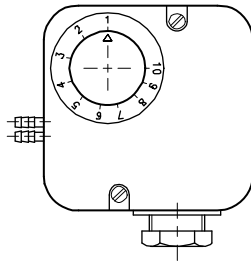
WARNING: Do not invert the neutral with the phase wire in the electricity supply line. Inverting the wires will make the burner go into lock-out because of firing failure.

MIN GAS PRESSURE SWITCH



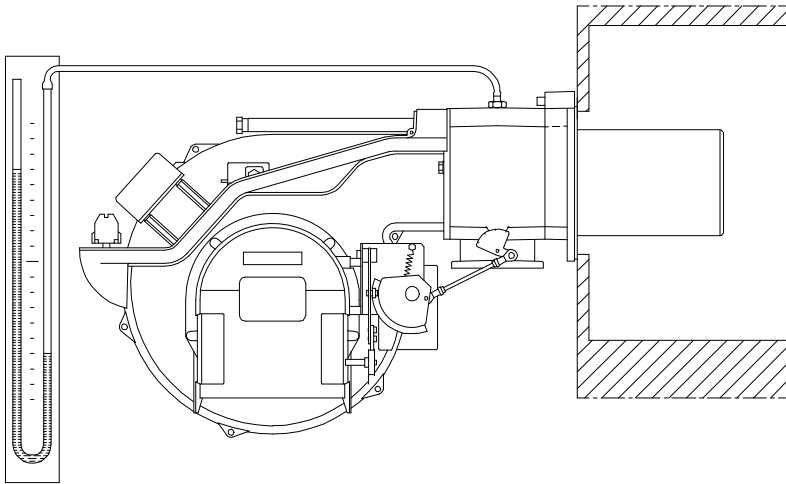
(A)

AIR PRESSURE SWITCH



(B)

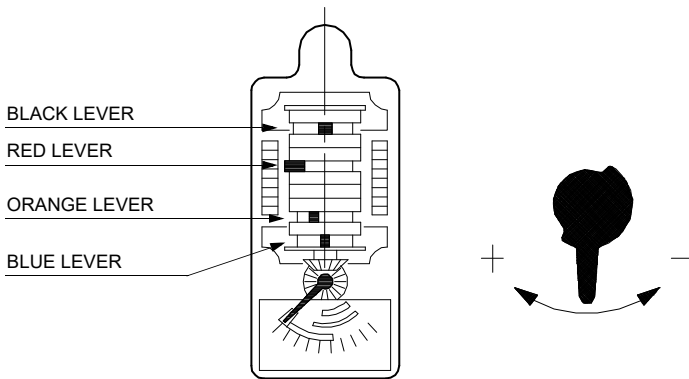
D897



(C)

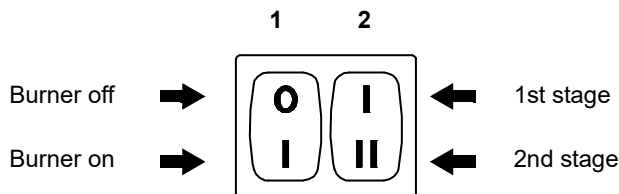
D3033

SERVOMOTOR



(D)

D728



(E)

D469

ADJUSTMENTS BEFORE FIRST FIRING

Adjustment of the combustion head, and air and gas deliveries has been illustrated on page 7.

In addition, the following adjustments must also be made:

- open manual valves up-line from the gas train.
- Adjust the minimum gas pressure switch to the start of the scale (A).
- Adjust the air pressure switch to the zero position of the scale (B).
- Purge the air from the gas line. Continue to purge the air (we recommend using a plastic tube routed outside the building) until gas is smelt.
- Fit a U-type manometer (C) to the gas pressure test point on the sleeve. The manometer readings are used to calculate the 2nd stage operation burner power using the tables on page 5.
- Connect two lamps or testers to the two gas line solenoid valves VR and VS to check the exact moment at which voltage is supplied. This operation is unnecessary if each of the two solenoid valves is equipped with a pilot light that signals voltage passing through.

Before starting up the burner it is good practice to adjust the gas train so that ignition takes place in conditions of maximum safety, i.e. with gas delivery at the minimum.

SERVOMOTOR (D)

The servomotor provides simultaneous adjustment of the air gate valve, by means of the variable profile cam, and the gas butterfly valve. The angle of rotation of the servomotor is equal to the angle on the graduated sector controlling the gas butterfly valve. The servomotor rotates through 90 degrees in 15 seconds. Do not alter the factory setting for the 4 levers; simply check that they are set as indicated below:

- Red lever** : 90°
Limits rotation toward maximum position. When the burner is in 2nd stage operation the gas butterfly valve must be fully open: 90°.
- Blue lever** : 0°
Limits rotation toward the minimum position. When the burner is shut down the air gate valve and the gas butterfly valve must be closed: 0°.
- Orange lever** : 15°
Adjusts the ignition position and the output in 1st stage operation.
- Black lever** : 85°
Supplies power to the B5 clamp.

A graduated plate with 4 coloured sectors marks the lever operation point.

BURNER STARTING

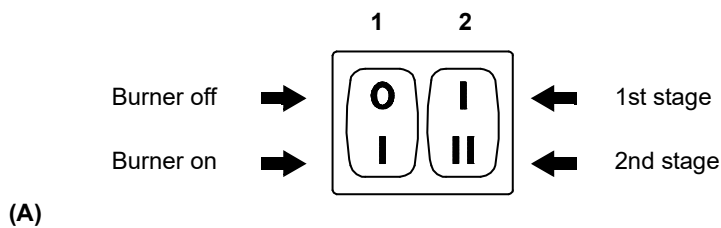
Close the control devices and set:

- switch 1)(E) to "Burner ON" position;
- switch 2)(E) to "1st STAGE" position.

As soon as the burner starts check the direction of rotation of the fan blade, looking through the flame inspection window 13)(A)p.3. Make sure that the lamps or testers connected to the solenoids, or pilot lights on the solenoids themselves, indicate that no voltage is present. If voltage is present, then **immediately** stop the burner and check electrical connections.

BURNER FIRING

Having completed the checks indicated in the previous heading, the burner should fire. If the motor starts but the flame does not appear and the control box goes into lock-out, reset and wait for a new firing attempt. If firing is still not achieved, it may be that gas is not reaching the combustion head within the safety time period of 3 seconds. In this case increase gas firing delivery. The arrival of gas at the sleeve is indicated by the U-type manometer (C). Once the burner has fired, now proceed with global calibration operations.



D469

BURNER CALIBRATION

The optimum calibration of the burner requires an analysis of the flue gases at the boiler outlet.

Adjust successively:

- 1 - First firing output
- 2 - 2nd stage burner output
- 3 - 1st stage burner output
- 4 - Intermediate outputs between 1st and 2nd stage
- 5 - Air pressure switch
- 6 - Minimum gas pressure switch

1 - FIRING OUTPUT

According to EN 676 Regulations:

Burners with max. output up to 120 kW

Firing can be performed at the maximum operation output level. Example:

- Max. operation output : 120 kW
- Max. firing output : 120 kW

Burners with max. output above 120 kW

Firing must be performed at a lower output than the max. operation output. If the firing output does not exceed 120 kW, no calculations are required. If firing output exceeds 120 kW, the regulations prescribe that the value be defined according to the control box safety time "ts":

- for "ts" = 2s, firing output must be equal to or lower than 1/2 of max. operation output.
- For "ts" = 3s, firing output must be equal to or lower than 1/3 of max. operation output.

Example: MAX operation output of 600 kW.

Firing output must be equal to or lower than:

- 300 kW with "ts" = 2s
- 200 kW with "ts" = 3s

In order to measure the firing output:

- disconnect the plug-socket 8)(A)p.3 on the ionization probe cable (the burner will fire and then go into lock-out after the safety time has elapsed).
- Perform 10 firings with consecutive lock-outs.
- On the meter read the quantity of gas burned. This quantity must be equal to or lower than the quantity given by the formula, for ts = 3s:

$$\frac{\text{Nm}^3/\text{h (max. burner delivery)}}{360}$$

Example: for G 20 gas (10 kWh/Nm³):

Max. operation output: 600 kW corresponding to 60 Nm³/h.

After 10 firings with lock-outs, the delivery read on the meter must be equal to or lower than:

$$60 : 360 = 0,166 \text{ Nm}^3.$$

2 - 2ND STAGE OUTPUT

2nd stage output of the burner must be set within the firing rate range shown on page 4.

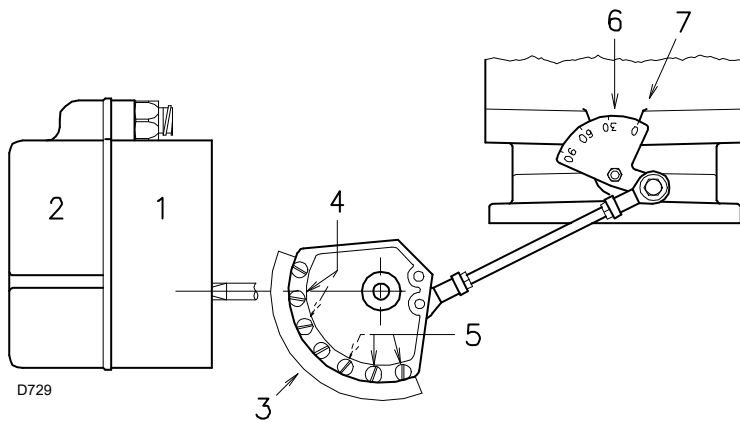
In the above instructions we left the burner running in 1st stage operation. Now set switch 2)(A) to the 2nd stage position: the servomotor will open, simultaneously, the air gate valve and the gas butterfly valve to 90°.

Gas calibration

Measure the gas delivery at the meter.

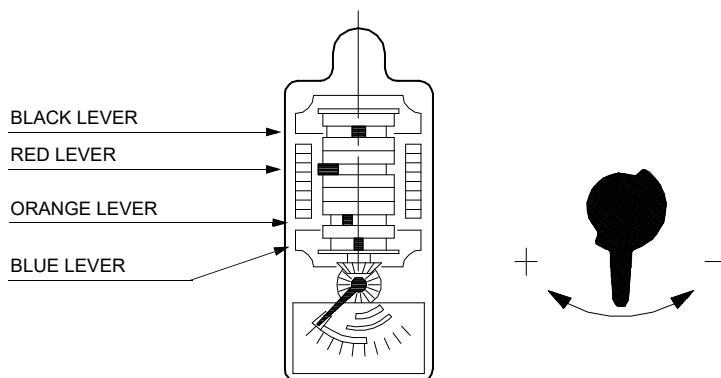
A guideline indication can be calculated from the tables on page 5, simply read off the gas pressure on the U-type manometer, see fig.(C) on page 12, and follow the instructions on page 5.

- If delivery needs to be reduced, diminish outlet gas pressure and, if it is already very low, slightly close adjustment valve VR.
- If delivery needs to be increased, increase outlet gas pressure.



- D729
- 1 Servomotor
 - 2 Cam cover
 - 3 Adjustable profile cam
 - 4 Cam starting profile adjustment screws
 - 5 Cam end profile adjustment screws
 - 6 Graduated sector for gas butterfly valve
 - 7 Index for graduated sector 6

(A)



(B)

Adjusting air delivery

Progressively adjust the end profile of cam 3)(A) by turning the screws 5).

- Turn the screws clockwise to increase air delivery.
- Turn the screws counter-clockwise to reduce air delivery.

3 - 1ST STAGE OUTPUT

Burner power in 1st stage operation must be selected within the firing rate range shown on page 4.

Set the switch 2)(A)p.13 to the 1st stage position: the servomotor 1)(A) will close the air gate valve and, at the same time, closes the gas butterfly valve down to 15°, i.e. down to the original factory setting.

Adjusting gas delivery

Measure the delivery of gas from the gas meter.

- If this value is to be reduced, decrease the angle of the orange lever (B) slightly by proceeding a little at a time until the angle is changed from 15° to 13° or 11°....
- If it is necessary to increase the mains pressure, move to 2nd stage operation by altering the setting of switch 2)(A)p.13 and increase the angle of the orange lever, proceeding a little at a time until the angle is changed from 15° to 17° - 19°....

At this point return to 1st stage operation and measure gas delivery.

Note

The servomotor follows the adjustment of the orange lever only when the angle is reduced.

If, however the angle must be increased, switch to 2nd stage operation, increase the angle and then return to 1st stage operation to check the effect of the adjustment.

Adjustment of air delivery

Progressively adjust the starting profile of cam 3)(A) by turning the screws 4). It is preferable not to turn the first screw since this is used to set the air gate valve to its fully-closed position.

4 - INTERMEDIATE OUTPUTS

Adjustment of gas delivery

No adjustment of gas delivery is required.

Adjustment of air delivery

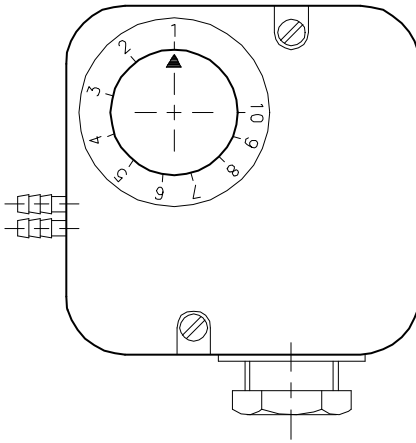
Switch off the burner using switch 1)(A)p.13 and turn the central screws of the cam so that the cam offers a progressive gradient.

Do not alter the position of the screws at each end of the cam track, which have already been adjusted for 1st and 2nd stage air gate valve control.

Note

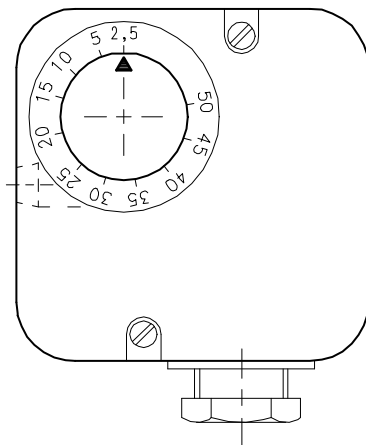
Once you have finished adjusting outputs 2ND STAGE - 1ST STAGE - INTERMEDIATE, check ignition once again: noise emission at this stage must be identical to the following stage of operation.

If you notice any sign of pulsations, reduce the ignition stage delivery.



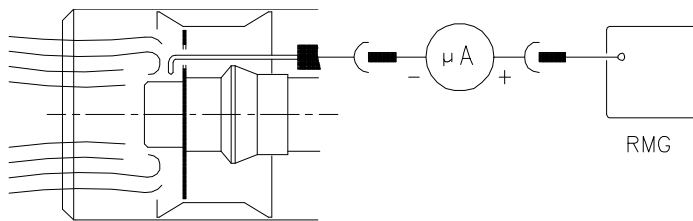
(A)

D521



(B)

D896



(C)

D3023

5 - AIR PRESSURE SWITCH (A)

Adjust the air pressure switch after having performed all other burner adjustments with the air pressure switch set to the start of the scale (A). With the burner operating in 1st stage, increase adjustment pressure by slowly turning the relative knob clockwise until the burner locks out. Then turn the knob anti-clockwise by about 20% of the set point and repeat burner starting to ensure it is correct. If the burner locks out again, turn the knob anti-clockwise a little bit more.

Attention

As a rule, the air pressure switch must limit the CO in the fumes to less than 1% (10,000 ppm). To check this, insert a combustion analyser into the chimney, slowly close the fan suction inlet (for example with cardboard) and check that the burner locks out, before the CO in the fumes exceeds 1%.

The air pressure switch may operate in "differential" operation in two pipe system. If a negative pressure in the combustion chamber during pre-purging prevents the air pressure switch from switching, switching may be obtained by fitting a second pipe between the air pressure switch and the suction inlet of the fan. In such a manner the air pressure switch operates as differential pressure switch.

Warning

The use of the air pressure switch with differential operation is allowed only in industrial applications and where rules enable the air pressure switch to control only fan operation without any reference to CO limit.

6 - MINIMUM GAS PRESSURE SWITCH (B)

Adjust the minimum gas pressure switch after having performed all the other burner adjustments with the pressure switch set at the start of the scale (B).

With the burner operating in 2nd stage, increase adjustment pressure by slowly turning the relative knob clockwise until the burner locks out. Then turn the knob anti-clockwise by 0,2 kPa (2 mbar) and repeat burner starting to ensure it is uniform. If the burner locks out again, turn the knob anti-clockwise again by 0,1 kPa (1 mbar).

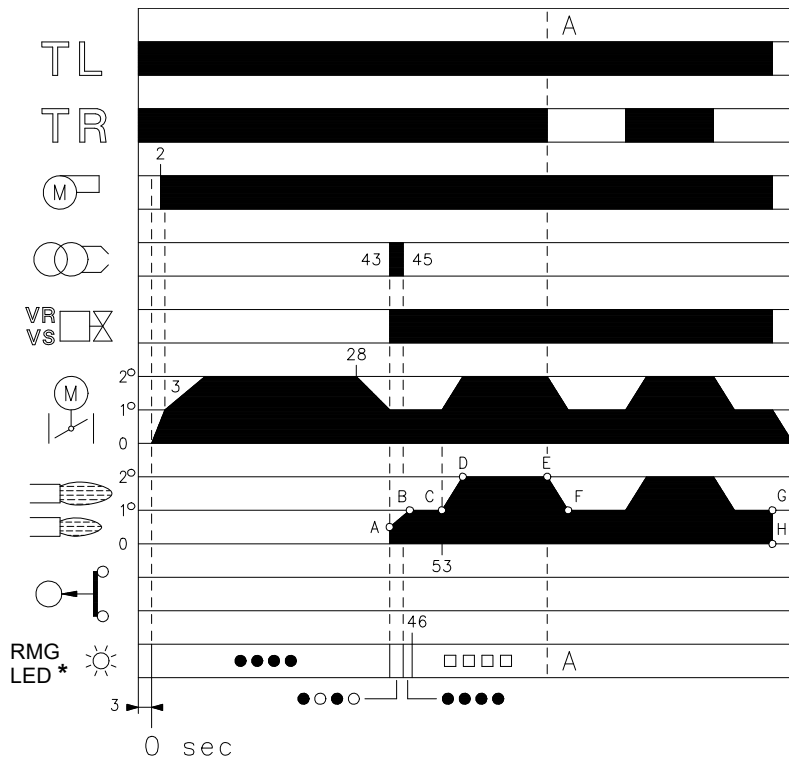


1 kPa = 10 mbar

FLAME PRESENT CHECK (C)

The burner is fitted with an ionisation system which ensures that a flame is present. The minimum current for plant operation is 5 μA. The burner provides a much higher current, so that controls are not normally required. However, if it is necessary to measure the ionisation current, disconnect the plug-socket 8)(A)p.3 on the ionisation probe cable and insert a direct current microammeter with a base scale of 100 μA. Carefully check polarities!

NORMAL FIRING
(n° = seconds from instant 0)

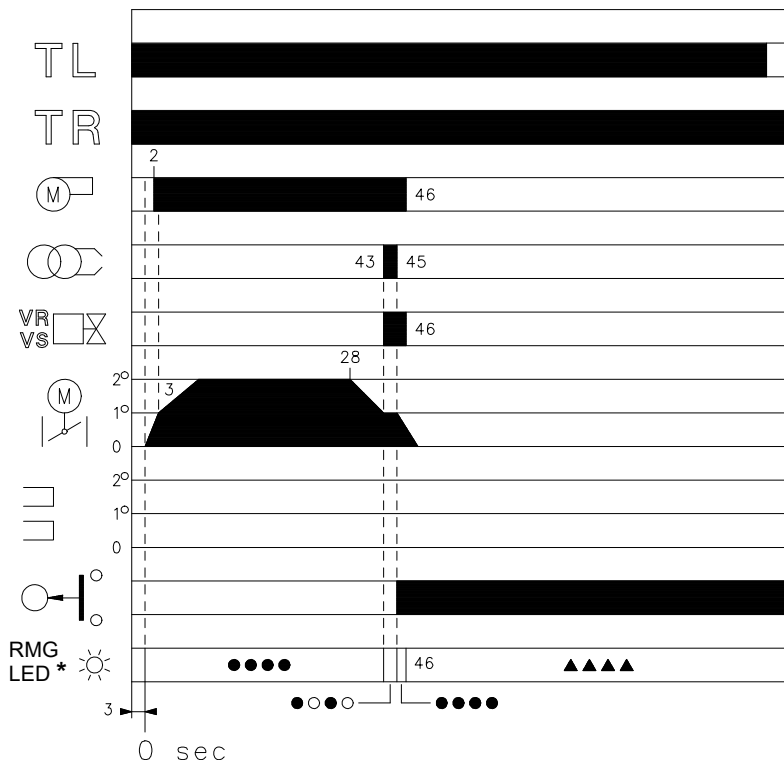


* ○ Off ● Yellow □ Green ▲ Red
For further details see page 18.

(A)

D3051

NO FIRING



* ○ Off ● Yellow ▲ Red
For further details see page 18.

(B)

D3052

BURNER OPERATION

BURNER STARTING (A)

- Control device TL closes. Servomotor starts: it rotates during opening up to the angle set on cam with orange lever. After about 3s:
- 0 s : The control box starting cycle begins.
- 2 s : Fan motor starts.
- 3 s : Servomotor starts: it rotates during opening until contact is made on cam with red lever. The air gate valve is positioned to 2nd stage output. Pre-purge stage with air delivery at 2nd stage output. Duration 25 seconds.
- 28 s : Servomotor starts: it rotates during closing up to the angle set on cam with orange lever.
- 43 s : The air gate valve and the gas butterfly are positioned to 1st stage output. Ignition electrode strikes a spark. Safety valve VS and adjustment valve VR (rapid opening) open. The flame is ignited at a low output level, point A. Output is then progressively increased, with the valve opening slowly up to 1st stage output, point B.
- 45 s : The spark goes out.
- 53 s : If remote control device TR is closed or if it has been replaced by a jumper, the servomotor will continue to turn until the cam with red lever come into operation, setting the air gate valve and the gas butterfly valve to the 2nd stage operation position, section C-D. The control box starting cycle ends.

STEADY STATE OPERATION (A)

System equipped with one control device TR.

Once the starting cycle has come to an end, control of the servomotor passes on to the control device TR that controls boiler temperature or pressure, point D.

(The control box will continue, however, to monitor flame presence and the correct position of the air pressure switch).

- When the temperature or the pressure increases until the control device TR opens, the servomotor closes the gas butterfly valve and the air gate valve and the burner passes from the 2nd to the 1st stage of operation, section E-F.
- When the temperature or pressure decreases until the control device TR closes, the servomotor opens the gas butterfly valve and the air gate valve and the burner passes from the 1st to the 2nd stage of operation, and so on.
- The burner stops when the demand for heat is less than the amount of heat delivered by the burner in the 1st stage, section G-H. Control device TL now opens, the servomotor returns toward the 0° position, limited in this movement by cam with blue lever. The air gate valve closes completely to reduce heat losses to a minimum.

Systems not equipped with control device TR (jumper wire installed)

The burner is fired as described in the case above. If the temperature or pressure increase until control device TL opens, the burner shuts down (Section A-A in the diagram).

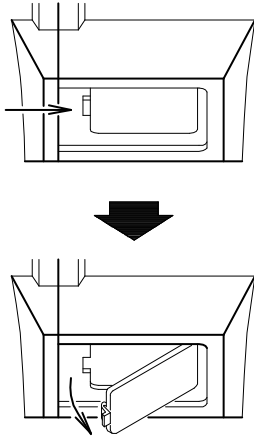
FIRING FAILURE (B)

If the burner does not fire, it goes into lock-out within 3 s of the opening of the gas solenoid valve and 49 s after the closing of control device TL. The control box red pilot light will light up.

BURNER FLAME GOES OUT DURING OPERATION

If the flame should accidentally go out during operation, the burner will lock out within 1s.

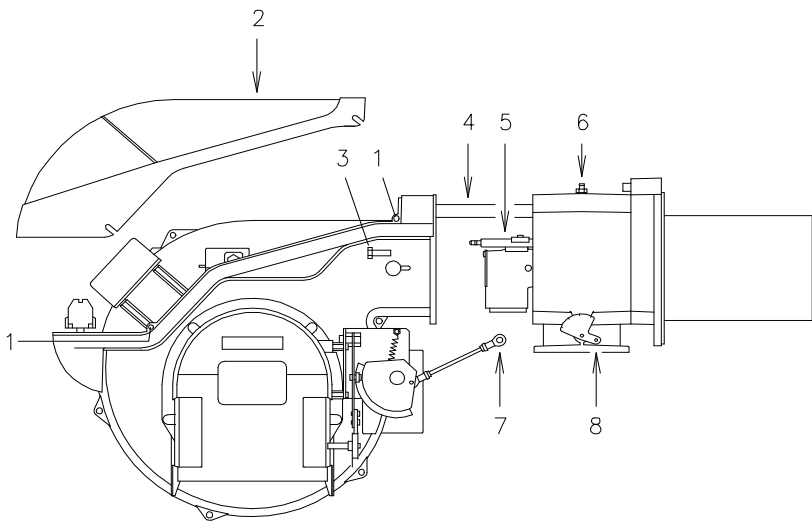
FLAME INSPECTION WINDOW



(A)

D709

OPENING THE BURNER



(B)

D3034

FINAL CHECKS (with burner running)

- Disconnect one of the wires on the minimum gas pressure switch:
- Open remote control device TL:
- Open remote control device TS:
the burner must stop
- Disconnect the common wire P from the air pressure switch:
- Disconnect the ionisation probe lead:
the burner must lock out
- Make sure that the mechanical locking systems on the various adjustment devices are fully tightened.

MAINTENANCE

Combustion

The optimum calibration of the burner requires an analysis of the flue gases. Significant differences with respect to the previous measurements indicate the points where more care should be exercised during maintenance.

Gas leaks

Make sure that there are no gas leaks on the pipework between the gas meter and the burner.

Gas filter

Change the gas filter when it is dirty.

Flame inspection window

Clean the flame inspection window (A).

Combustion head

Open the burner and make sure that all components of the combustion head are in good condition, not deformed by the high temperatures, free of impurities from the surroundings and correctly positioned. If in doubt, disassemble the elbow fitting 5)(B).

Burner

Check for excess wear or loose screws in the mechanisms controlling the air gate valve and the gas butterfly valve. Also make sure that the screws securing the electrical leads in the burner terminal strip are fully tightened. Clean the outside of the burner, taking special care with the transmission joints and cam 3)(A)p.14.

Combustion

Adjust the burner if the combustion values found at the beginning of the operation do not comply with the regulations in force, or at any rate, do not correspond to good combustion. Use the appropriate card to record the new combustion values; they will be useful for subsequent controls.

TO OPEN THE BURNER (B):

- switch off the electrical power.
- Loosen screws 1) and withdraw cover 2).
- Disengage the articulated coupling 7) from the graduated sector 8).
- Fit the two standard supplied extensions onto the slide bars 4) (models with 385-415 mm blast tube).
- Remove screws 3), and pull the burner back by about 100 mm on the slide bars 4). Disconnect the probe and electrode leads and then pull the burner fully back.

Now extract the gas distributor 5) after having removed the screw 6).

TO CLOSE THE BURNER (B):

- push the burner until it is about 100 mm from the sleeve.
- Re-connect the leads and slide in the burner until it comes to a stop.
- Refit screws 3), and pull the probe and electrode leads gently out until they are slightly stretched.
- Re-couple the articulated coupling 7) to the graduated sector 8).
- Remove the two extensions from the slide bars 4).

Safety component	Life cycle
Flame control	10 years or 250,000 operation cycles
Flame sensor	10 years or 250,000 operation cycles
Gas valves (solenoid)	10 years or 250,000 operation cycles
Pressure switches	10 years or 250,000 operation cycles
Pressure adjuster	15 years
Servomotor (electronic cam) (if present)	10 years or 250,000 operation cycles
Oil valve (solenoid) (if present)	10 years or 250,000 operation cycles
Oil regulator (if present)	10 years or 250,000 operation cycles
Oil pipes / couplings (metallic) (if present)	10 years
Flexible hoses (if present)	5 years or 30,000 pressurised cycles
Fan impeller	10 years or 500,000 start-ups

(A)

SAFETY TEST - WITH GAS BALL VALVE CLOSED

It is fundamental to ensure the correct execution of the electrical connections between the gas solenoid valves and the burner to perform safely the commissioning.

For this purpose, after checking that the connections have been carried out in accordance with the burner's electrical diagrams, an ignition cycle with closed gas ball valve -dry test- must be performed.

- 1 The manual ball gas valve must be closed
- 2 The electrical contacts of the burner limit switch need to be closed
- 3 Ensures closed the contact of the low gas pressure switch
- 4 Make a trial for burner ignition

The start-up cycle must be as follows:

- starting the fan for pre-ventilation
- Performing the gas valve seal control, if provided
- Completion of pre-ventilation
- Arrival of the ignition point
- Power supply of the ignition transformer
- Electrical Supply of solenoid gas valves

Since the manual gas ball valve is closed, the burner will not light up and its control box will go to a safety lockout condition.

The actual electrical supply of the solenoid gas valves can be verified by inserting a tester, Some valves are equipped with light signals (or close/open position indicator) that turn on at the same time as their power supply.

IF THE ELECTRICAL SUPPLY OF THE GAS VALVES OCCURS AT UNEXPECTED TIMES, DO NOT OPEN MANUAL GAS BALL VALVE, SWITCH OFF POWER LINE; CHECK THE WIRES; CORRECT THE ERRORS AND REPEAT THE COMPLETE TEST.



SAFETY COMPONENTS

The safety components must be replaced at the end of their life cycle indicated in Tab, (A). The specified life cycles do not refer to the warranty terms indicated in the delivery or payment conditions.

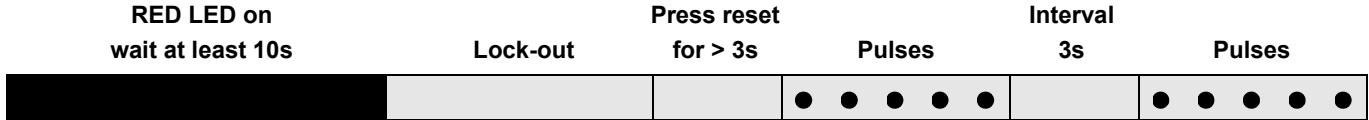
BURNER START-UP CYCLE DIAGNOSTICS

During start-up, indication is according to the following table:

COLOUR CODE TABLE	
Sequences	Colour code
Pre-purging	● ● ● ● ● ● ● ● ● ●
Ignition phase	● ○ ● ○ ● ○ ● ○ ●
Operation, flame ok	□ □ □ □ □ □ □ □ □ □
Operating with weak flame signal	□ ○ □ ○ □ ○ □ ○ □
Electrical supply lower than ~ 170V	● ▲ ● ▲ ● ▲ ● ▲ ●
Lock-out	▲ ▲ ▲ ▲ ▲ ▲ ▲ ▲ ▲
Extraneous light	▲ □ ▲ □ ▲ □ ▲ □ ▲
Legenda:	○ Off ● Yellow □ Green ▲ Red

RESETTING THE CONTROL BOX AND USING DIAGNOSTICS

The control box features a diagnostics function through which any causes of malfunctioning are easily identified (indicator: **RED LED**). To use this function, you must wait at least 10 seconds once it has entered the safety condition (**lock-out**), and then press the reset button. The control box generates a sequence of pulses (1 second apart), which is repeated at constant 3-second intervals. Once you have seen how many times the light pulses and identified the possible cause, the system must be reset by holding the button down for between 1 and 3 seconds.



The methods that can be used to reset the control box and use diagnostics are given below.

RESETTING THE CONTROL BOX

- To reset the control box, proceed as follows:
- Hold the button down for between 1 and 3 seconds. The burner restarts after a 2-second pause once the button is released. If the burner does not restart, you must make sure the limit thermostat is closed.

VISUAL DIAGNOSTICS

- Indicates the type of burner malfunction causing lock-out. To view diagnostics, proceed as follows:
- Hold the button down for more than 3 seconds once the red LED (burner lock-out) remains steadily lit. A yellow light pulses to tell you the operation is done. Release the button once the light pulses. The number of times it pulses tells you the cause of the malfunction, according to the coding system indicated in the table on page 19.

SOFTWARE DIAGNOSTICS

- Reports burner life by means of an optical link with the PC, indicating hours of operation, number and type of lock-outs, serial number of control box etc ... To view diagnostics, proceed as follows:
- Hold the button down for more than 3 seconds once the red LED (burner lock-out) remains steadily lit. A yellow light pulses to tell you the operation is done. Release the button for 1 second and then press again for over 3 seconds until the yellow light pulses again. Once the button is released, the red LED will flash intermittently with a higher frequency: only now can the optical link be activated.

Once the operations are done, the control box's initial state must be restored using the resetting procedure described above.

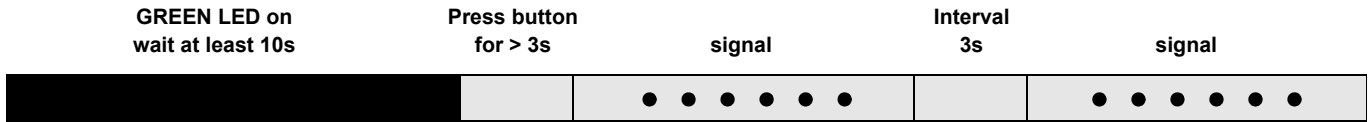
BUTTON PRESSED FOR	CONTROL BOX STATUS
Between 1 and 3 seconds	Control box reset without viewing visual diagnostics.
More than 3 seconds	Visual diagnostics of lock-out condition: (LED pulses at 1-second intervals).
More than 3 seconds starting from the visual diagnostics condition	Software diagnostics by means of optical interface and PC (hours of operation, malfunctions etc. can be viewed)

The sequence of pulses issued by the control box identifies the possible types of malfunction, which are listed in the table on page 19.

Signal	Problem	Possible cause	Recommended remedy
2 blinks ● ●	Once the pre-purging phase and safety time have passed, the burner goes into lockout without the appearance of the flame	1 - The operation solenoid lets little gas through 2 - One of the two solenoid valves does not open. 3 - Gas pressure too low 4 - Ignition electrode incorrectly adjusted 5 - Electrode grounded due to broken insulation 6 - High voltage cable defective 7 - High voltage cable deformed by high temperature 8 - Ignition transformer defective. 9 - Incorrect valve or transformer electrical wiring 10 - Defective control box 11 - A closed valve upline the gas train 12 - Air in pipework 13 - Gas valves unconnected or with interrupted coil	Increase Replace Increase pressure at governor Adjust, see fig. (C) page 6 Replace Replace Replace and protect Replace Check Replace Open Bleed air Check connections or replace coil
3 blinks ● ● ●	The burner does not switch on, and the lockout appears	14 - Air pressure switch in operating position	Adjust or replace
	The burner switches on, but then stops in lockout	- Air pressure switch inoperative due to insufficient air pressure: 15 - Air pressure switch incorrectly adjusted. 16 - Pressure switch pressure test point pipe blocked 17 - Poorly adjusted head 18 - High pressure in the furnace	Adjust or replace Clean Adjust Connect air pressure switch to fan suction line
	Lockout during pre-purging phase	19 - Defective motor control contactor (only three-phase version) 20 - Defective electrical motor. 21 - Motor lockout (defective electrical motor)	Replace Replace Replace
4 pulses ● ● ● ●	The burner switches on, but then stops in lockout	22 - Flame simulation	Replace the control box
	Lockout when burner stops	23 - Permanent flame in the combustion head or flame simulation	Eliminate persistence of flame or replace control box
6 blinks ● ● ● ● ● ●	The burner switches on, but then stops in lockout	24 - Defective or incorrectly adjusted servomotor.	Adjust or replace
7 blinks ● ● ● ● ● ● ●	The burner goes into lockout immediately following the appearance of the flame	25 - The operation solenoid lets little gas through 26 - Ionisation probe incorrectly adjusted 27 - Insufficient ionisation (less than 5 A) 28 - Earth probe 29 - Burner poorly grounded. 30 - Phase and neutral connections inverted 31 - Defective flame detection circuit	Increase Adjust, see fig. (C) page 6 Check probe position Withdraw or replace cable Check grounding Invert them Replace the control box
	Burner locks out when shifting from minimum to maximum output and vice versa	32 - Too much air or too little gas	Adjust air and gas
	Burner goes into lockout during operation	33 - Probe or ionisation cable grounded.	Replace worn parts
10 blinks ● ● ● ● ● ● ● ●	The burner does not switch on, and the lockout appears	34 - Incorrect electrical wiring	Check
	The burner goes into lockout	35 - Defective control box	Replace
		36 - Presence of electromagnetic disturbances in the thermostat lines 37 - Presence of electromagnetic disturbance	Filter or eliminate Use the radio disturbance protection kit
No blink	The burner does not start	38 - No electrical power supply.	Close all switches - Check connections
		39 - A limiter or safety control device is open	Adjust or replace
		40 - Line fuse blocked.	Replace
		41 - Defective control box	Replace
		42 - No gas supply	Open the manual valves between contactor and train
		43 - Mains gas pressure insufficient	Contact your GAS COMPANY
	The burner continues to repeat the start-up cycle, without lockout	44 - Minimum gas pressure switch fails to close.	Adjust or replace
		45 - The gas pressure in the gas mains lies very close to the value to which the minimum gas pressure switch has been set. The sudden drop in pressure after valve opening causes temporary opening of the pressure switch itself, the valve immediately closes and the burner comes to a halt. Pressure increases again, the pressure switch closes again and the ignition cycle is repeated. And so on	Reduce the minimum gas pressure switch intervention pressure. Replace the gas filter cartridge.
	Ignition with pulsations	46 - Poorly adjusted head	Adjust. See page 7
		47 - Ignition electrode incorrectly adjusted	Adjust, see fig. (C) page 6
48 - Incorrectly adjusted fan air damper: too much air 49 - Output during ignition phase is too high.		Adjust Reduce	
The burner does not move into the 2nd stage	50 - Remote control device TR fails to close.	Adjust or replace	
	51 - Defective control box 52 - Defective servomotor	Replace Replace	
Burner stops with air damper open	53 - Defective servomotor	Replace	

NORMAL OPERATION / FLAME DETECTION TIME

The control box has a further function to guarantee the correct burner operation (signal: **GREEN LED** permanently on). To use this function, wait at least ten seconds from the burner ignition and then press the control box button for a minimum of 3 seconds. After releasing the button, the GREEN LED starts flashing as shown in the figure below.



The pulses of the LED constitute a signal spaced by approximately 3 seconds. The number of pulses will measure the probe DETECTION TIME since the opening of gas valves, according to the following table:

SIGNAL	FLAME DETECTION TIME
1 blink ●	0.4s
2 blinks ● ●	0.8s
6 blinks ● ● ● ● ● ●	2.8s

This is updated in every burner start-up. Once read, the burner repeats the start-up cycle by briefly pressing the control box button.
WARNING
 If the result is > 2s, ignition will be retarded. Check the adjustment of the hydraulic brake of the gas valve, the air damper and the combustion head adjustment.

KIT INTERFACE ADAPTER RMG TO PC Code 3002719

ACCESSORIES (optional):

• **RADIO DISTURBANCE PROTECTION KIT**

If the burner is installed in places particularly subject to radio disturbance (emission of signals exceeding 10 V/m) owing to the presence of an INVERTER, or in applications where the length of the thermostat connections exceeds 20 metres, a protection kit is available as an interface between the control box and the burner.

BURNER	RS 70 - RS 100 - RS 130
Code	3010386

• **KIT LONG HEAD**

BURNER	RS 70	RS 100	RS 130
Code	3010117	3010118	3010119

• **KIT FOR LPG OPERATION:** The kit allows the RS 70-100-130 burners to operate on LPG.

BURNER	RS 70		RS 100		RS 130	
Output kW	242 ÷ 814		349 ÷ 1163		466 ÷ 1512	
Blast tube length mm	250	385	250	385	280	415
Code	3010097	3010098	3010099	3010100	3010101	3010102

• **VIBRATION REDUCTION KIT**

BURNER	RS 70		RS 100		RS 130	
Output kW	192 ÷ 814		232 ÷ 1163		185 ÷ 1461	
Blast tube length mm	250	385	250	385	280	415
Code	3010201		3010202		3010373	3010374

• **KIT INTERFACE ADAPTER RMG TO PC: code 3002719**

• **GAS TRAIN ACCORDING TO REGULATION EN 676 (with valves, pressure governor and filter):** see page 8.

Important: The installer is responsible for the addition of any safety device not foreseen in the present manual

E ÍNDICE

DATOS TÉCNICOS	página 2
Datos eléctricos	2
Versiones constructivas	2
Descripción del quemador	3
Embalaje - Peso	3
Dimensiones	3
Forma de suministro	3
Gráficos Caudal, Potencia-Sobrepresión	4
Caldera de prueba	4
Calderas comerciales	4
Presión del gas	5
INSTALACIÓN	6
Placa de caldera	6
Longitud tubo llama	6
Fijación del quemador a la caldera	6
Regulación del cabezal de combustión	7
Línea alimentación gas	8
Instalación eléctrica	9
Regulación previa al encendido	12
Servomotor	12
Puesta en marcha del quemador	12
Encendido del quemador	12
Regulación del quemador:	13
1 - Potencia de encendido	13
2 - Potencia en 2. ^a llama	13
3 - Potencia en 1. ^a llama	14
4 - Potencias intermedias	14
5 - Presostato de aire	15
6 - Presostato gas de mínima	15
Control presencia llama	15
Funcionamiento del quemador	16
Control final	17
Mantenimiento	17
Prueba de seguridad – con alimentación gas cerrada	18
Diagnóstico del programa de puesta en marcha	19
Desbloqueo de la caja de control y uso de la función de diagnóstico	19
Anomalía - Causa Probable - Solución	20
Funcionamiento normal / tiempo de detección llama	21
Accesorios	21

Nota

Las figuras que se mencionan en el texto se identifican del modo siguiente:

- 1)(A) =Detalle 1 de la figura A, en la misma página que el texto;
- 1)(A)p.3 =Detalle 1 de la figura A, página N° 3.

DATOS TÉCNICOS

MODELO			RS 70	RS 100	RS 130			
TIPO			821 T1	822 T1	823 T1			
POTENCIA (1)	2.ª llama	kW Mcal/h	465 - 814 400 - 700	698 - 1163 600 - 1000	930 - 1512 800 - 1300			
	min. 1ª llama	kW Mcal/h	192 165	232 200	372 320			
COMBUSTIBLE			GAS NATURAL: G20 - G21 - G22 - G23 - G25					
			G20	G25	G20	G25	G20	G25
- Presión al máximo caudal (2)		mbar	10,3	15,2	9,3	13,7	8,6	12,7
FUNCIONAMIENTO			<ul style="list-style-type: none"> Intermitente (mín. 1 paro en 24 horas). 2 llamas (2.ª y 1.ª) o 1 llama (todo - nada) 					
UTILIZACIÓN			Calderas: de agua, a vapor y aceite térmico					
TEMPERATURA AMBIENTE		°C	0 - 40					
TEMPERATURA AIRE COMBURENTE		°C max	60					
GRADO DE PROTECCIÓN			IP 44					
CONFORMIDAD DIRECTIVAS			2009/142 - 2006/42 - 2014/35 - 2014/30					
NIVEL SONORO (3)	PRESIÓN SONORA POTENCIA SONORA	dB(A)	75 86	77 88	78,5 89,5			
HOMOLOGACIÓN		CE	0085AP0944	0085AP0945	0085AP0946			

- (1) Condiciones de referencia: Temperatura ambiente 20°C - Presión barométrica 1000 mbar - Altitud sobre el nivel del mar 100 metros.
 (2) Presión en la toma 16)(A)p.3, con presión cero en la cámara de combustión, con el disco del gas 2)(B)p.7 abierto y a la potencia máxima del quemador.
 (3) Presión sonora medida en el laboratorio de combustión del fabricante, con quemador en funcionamiento en caldera de prueba, a la potencia máxima. La Potencia sonora se mide con el método "Free Field", previsto por la Norma EN 15036, y según una precisión de medición "Accuracy: Category 3", como se describe en la Norma EN ISO 3746.

DATOS ELÉCTRICOS

MODEL		RS 70	RS 100	RS 130
ALIMENTACIÓN ELÉCTRICA	V Hz	230 - 400 com neutro ~ +/-10% 50 - trifásica		
MOTOR ELÉCTRICO IE3	rpm kW V A	2860 1,1 230/400 4,1/2,4	2850 1,8 230/400 6,1/3,5	2860 2,2 230/400 7,9/4,6
TRANSFORMADOR DE ENCENDIDO	V1 - V2 I1 - I2	230 V - 2 x 5 kV 1.9 A - 30 mA		
POTENCIA ELÉCTRICA ABSORBIDA	kW max	1.9	2.6	3.1

VERSIONES CONSTRUCTIVAS

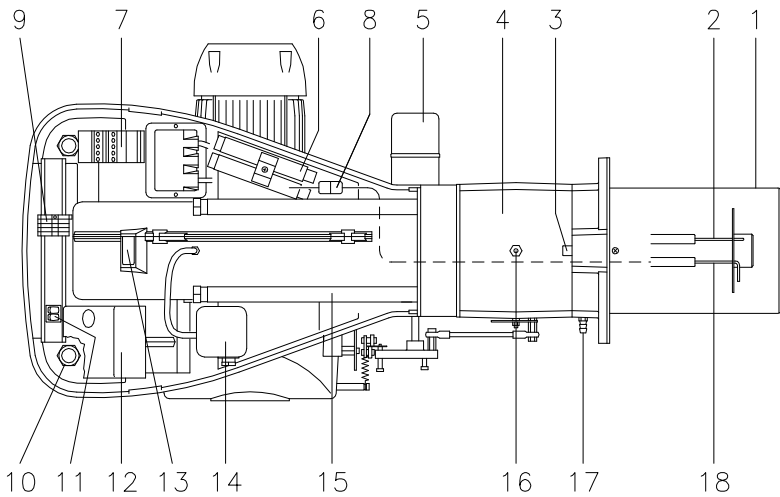
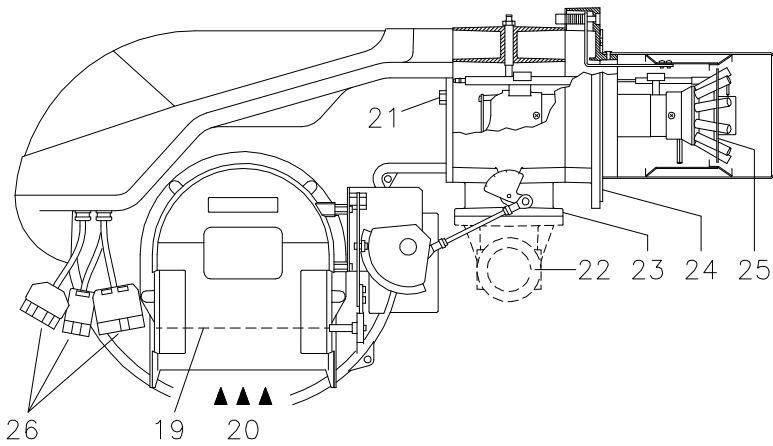
Modelo	Alimentación eléctrica	Longitud tubo llama mm
RS 70	trifásico	250
	trifásico	385
RS 100	trifásico	250
	trifásico	385
RS 130	trifásico	280
	trifásico	415

CATEGORÍA GAS

PAÍS	CATEGORÍA
IT - AT - GR - DK - FI - SE ES - GB - IE - PT	I12H3B / P I12H3P
NL FR DE BE LU - PL	I _{2L} - I _{2E} - I ₂ (43,46 ÷ 45,3 MJ/m ³ (0°C)) I12Er3P I12ELL3B /P I2E(R)B, I3P I12E 3B/P

DESCRIPCIÓN DEL QUEMADOR (A)

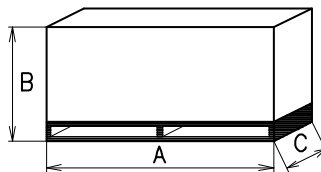
- 1 Cabezal de combustión
- 2 Electrodo de encendido
- 3 Tornillo regulación cabezal de combustión
- 4 Manguito unión grupo ventilador-cabezal de combustión
- 5 Servomotor, para el control de la válvula de mariposa del gas y, mediante una leva de perfil variable, el registro del aire. Cuando el quemador está parado, el registro del aire está completamente cerrado para reducir al mínimo la dispersión térmica de la caldera debido al tipo del conducto de humos que toma aire de la boca de aspiración del ventilador.
- 6 Prolongadores guías
- 7 Contactor motor y relé térmico con botón de rearme
- 8 Conector cable sonda de ionización
- 9 Regleta conexiones quemador
- 10 Pasacables para el conexionado eléctrico, a efectuar por el instalador
- 11 Dos interruptores:
 - uno de "marcha-paro"
 - uno para "1.ª llama - 2.ª llama"
- 12 Caja de control con piloto luminoso de bloqueo y pulsador de desbloqueo
- 13 Visor llama
- 14 Presostato de aire (tipo diferencial)
- 15 Guías para abertura del quemador e inspección del cabezal de combustión
- 16 Toma de presión de gas y tornillo fijación cabezal
- 17 Toma de presión de aire
- 18 Sonda de ionización
- 19 Registro de aire
- 20 Entrada aire del ventilador
- 21 Tornillo fijación del ventilador al soporte quemador
- 22 Conducto entrada gas
- 23 Válvula mariposa gas
- 24 Brida para fijación a la caldera
- 25 Disco estabilizador de llama
- 26 Conectores para la conexión eléctrica



(A)

D3139

mm	A	B	C	kg
RS 70	1300	740	682	70
RS 100	1300	740	682	73
RS 130	1300	740	682	76



(B)

D36

Hay dos posibilidades de bloqueo del quemador:

• BLOQUEO CAJA DE CONTROL:

La iluminación del pulsador (led rojo) de la caja 12)(A) indica que el quemador está bloqueado.

Para desbloquear, oprimir el pulsador durante un tiempo comprendido entre 1 y 3 segundos.

• BLOQUEO MOTOR:

Para desbloquear, oprimir el pulsador del relé térmico 7)(A).

EMBALAJE - PESO (B) - medidas aproximadas

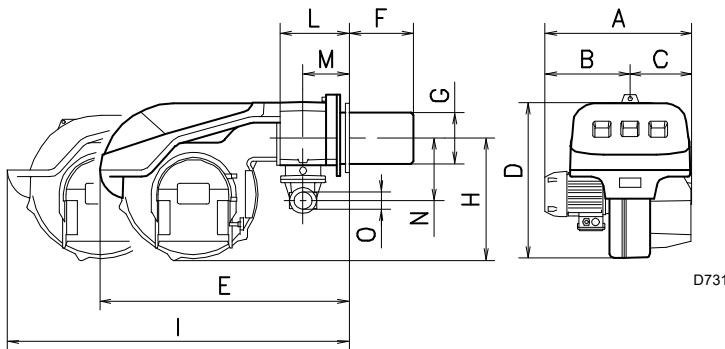
- El embalaje del quemador se apoya en un soporte de madera adaptado para una carretilla elevadora. Las dimensiones exteriores del embalaje se indican en la tabla (B).
- El peso del quemador completo con embalaje se indica en la tabla (B).

DIMENSIONES MÁXIMAS (C) - medidas aproximadas

Las dimensiones máximas del quemador se indican en (C).

Tener en cuenta que para inspeccionar el cabezal de combustión, el quemador debe abrirse desplazando la parte posterior por las guías.

La longitud máxima del quemador abierto, sin envolvente, está indicada por la cota I.



D731

mm	A	B	C	D	E	F ₍₁₎	G	H	I ₍₁₎	L	M	N	O
RS 70	511	296	215	555	840	250 - 385	179	430	1161-1296	214	134	221	2"
RS 100	527	312	215	555	840	250 - 385	179	430	1161-1296	214	134	221	2"
RS 130	553	338	215	555	840	280 - 415	189	430	1161-1296	214	134	221	2"

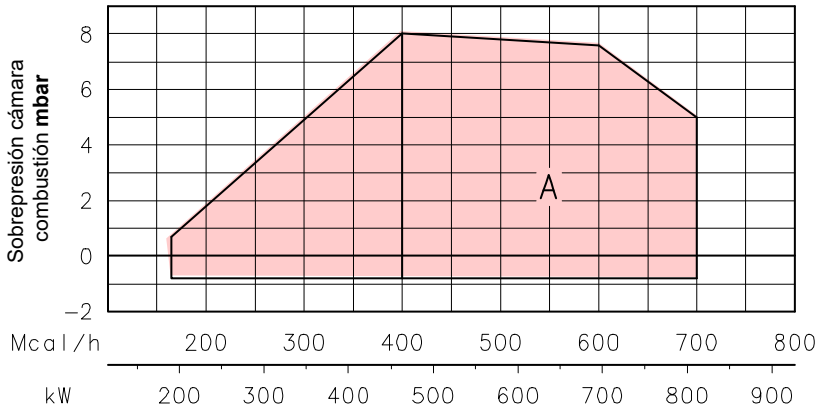
(1) Tubo llama: Normal - Alargado

(C)

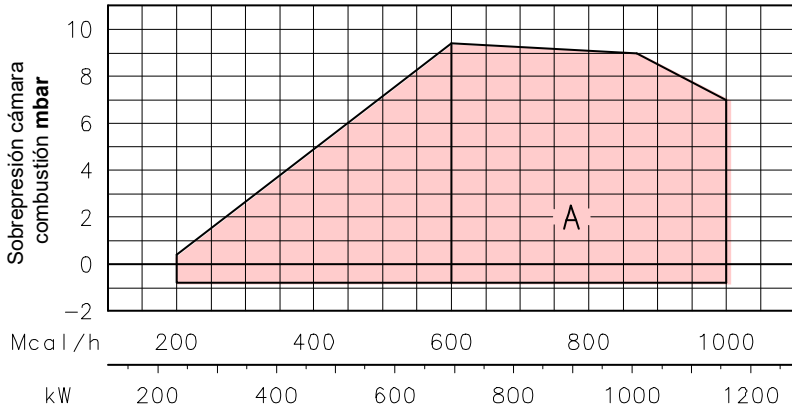
FORMA DE SUMINISTRO

- 1 - Brida conexión rampa de gas
- 1 - Junta brida
- 4 - Tornillos M10 x 35 fijación brida
- 1 - Junta aislante
- 2 - Prolongadores 6)(A) para guías 15)(A) (modelos con tubo llama 385 - 415 mm)
- 4 - Tornillos M12 x 35 para fijar la brida del quemador a la caldera
- 3 - Conectores para la conexión eléctrica
- 1 - Instrucciones
- 1 - Lista de recambios

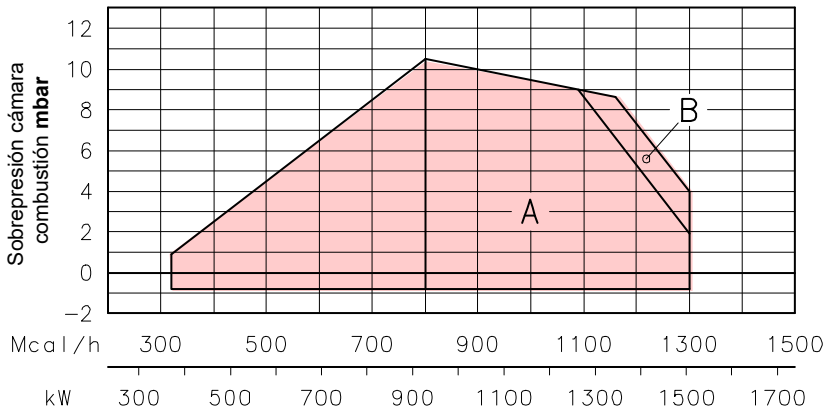
RS 70



RS 100



RS 130



GRÁFICOS CAUDAL, POTENCIA-SOBRE-PRESIÓN (A)

Los quemadores RS 70 - 100 - 130 pueden funcionar en dos modos: Monollama y Billama.

La **POTENCIA MÁXIMA** se sitúa en la zona A. Para utilizar también la zona B (RS 130) hay que preajustar el cabezal de combustión explicado en la pág. 6.

La **POTENCIA MÍNIMA** no debe ser inferior al límite mínimo del gráfico:

- RS 70 = 192 kW
- RS 100 = 232 kW
- RS 130 = 372 kW



Atención

El CAMPO DE TRABAJO se ha calculado considerando una temperatura ambiente de 20°C, una presión barométrica de 1000 mbar (aprox. 100 metros sobre el nivel del mar) y con el cabezal de combustión regulado como se indica en la página 7.

CALDERA DE PRUEBA (B)

Los gráficos se han obtenido con calderas de prueba especiales, según la norma EN 676.

En la figura (B) se indica el diámetro y longitud de la cámara de combustión de la caldera de prueba.

Ejemplo:

Potencia 756 kW:
diámetro 60 cm - longitud 2 m.

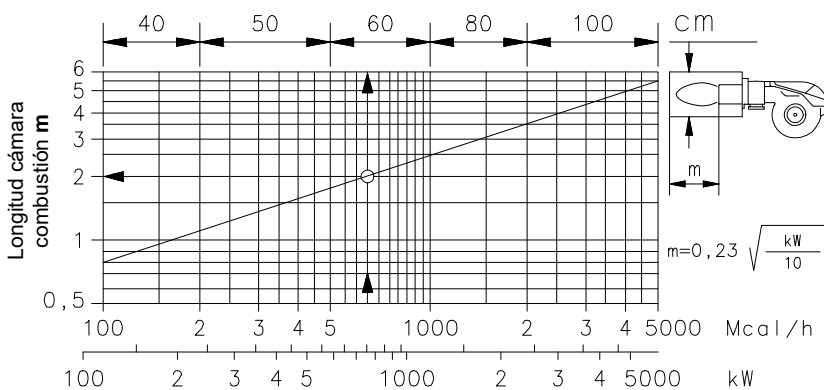
CALDERAS COMERCIALES

En el acoplamiento quemador-caldera no hay ningún problema si la caldera tiene la homologación CE y si las dimensiones de la cámara de combustión se aproximan a las indicadas en el gráfico (B).

Si por el contrario el quemador debe instalarse en una caldera comercial no homologada CE o con dimensiones de cámara de combustión mucho más pequeñas que las indicadas en el gráfico (B), se debe consultar al fabricante.

(A)

D950

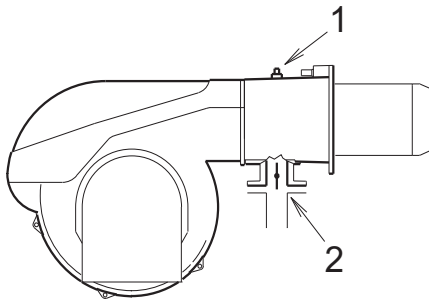


(B)

D715

	kW	1 Δp (mbar)		2 Δp (mbar)	
		G 20	G 25	G 20	G 25
RS 70	470	4,2	6,3	0,4	0,6
	550	5,3	7,9	0,6	0,9
	650	6,7	10,0	0,8	1,2
	850	10,8	16,1	1,3	2,0
	930	12,9	19,2	1,6	2,4
RS 100	700	3,1	4,6	0,7	1,1
	800	4,3	6,4	0,9	1,4
	1000	6,8	10,1	1,3	2,0
	1200	9,1	13,6	1,9	2,8
	1340	11,4	17,0	2,4	3,6
RS 130	930	4,6	6,9	0,2	0,3
	1090	5,8	8,7	0,6	0,8
	1250	7,0	10,4	1,2	1,8
	1410	8,3	12,4	1,5	2,2
	1512	9,1	13,6	1,5	2,2

(A)



(B)

S8883

PRESIÓN DEL GAS

Las tablas que hay al margen indican las pérdidas de carga mínimas de la línea de alimentación de gas en función de la potencia del quemador en 2.ª llama.

Columna 1

Pérdida de carga cabezal de combustión.

Presión de gas en la toma 1)(B), con:

- Cámara de combustión a 0 mbar
- Quemador funcionando en 2.ª llama
- Disco del gas 2)(B)p.7 regulado como se indica en el gráfico (C)p.7.

Columna 2

Pérdida de carga registro mariposa gas 2)(B) con abertura máxima: 90°.

Los valores indicados en las tablas se refieren a:

- gas natural G 20 PCI 9,45 kWh/Sm³ (8,2 Mcal/Sm³)
- gas natural G 25 PCI 8,13 kWh/Sm³ (7,0 Mcal/Sm³)

Para conocer la potencia aproximada a la que está funcionando el quemador en 2.ª llama:

- Restar a la presión del gas en la toma 1)(B) la sobrepresión de la cámara de combustión.
- Hallar en la tabla relativa al quemador que se considere, columna 1, el valor de presión más cercano al resultado obtenido en la resta.
- Leer a la izquierda la potencia correspondiente.

Ejemplo - RS 130:

- Funcionamiento en 2.ª llama
- Disco del gas 2)(B)p.7 regulado como se indica en el gráfico (C)p.7
- Presión de gas en la toma 1)(B) = 9 mbar
- Presión en la cámara de combustión = 2 mbar
 $9 - 2 = 7$ mbar

A la presión de 7 mbar, columna 1, corresponde en la tabla del RS 100 una potencia en 2.ª llama de 1250 kW.

Este valor sirve como primera aproximación; el real se determinará a través del contador.

En cambio, para conocer la presión de gas necesaria en la toma 1)(B), una vez fijada la potencia en 2.ª llama a la que se desea que funcione el quemador:

- Hallar la potencia más cercana al valor deseado, en la tabla relativa al quemador que se considere.
- Leer a la derecha, columna 1, la presión en la toma 1)(B).
- Sumar a este valor la sobrepresión estimada de la cámara de combustión.

Ejemplo - RS 130:

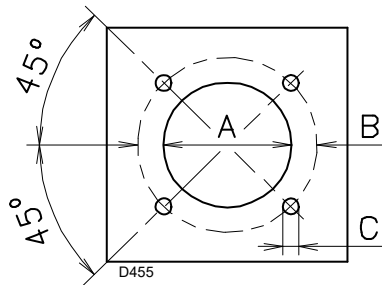
- Potencia deseada en 2.ª llama: 1250 kW
- Disco del gas 2)(B)p.7 regulado como se indica en el gráfico (C)p.7
- Presión del gas a la potencia de 1250 kW, en la tabla del RS 100, columna 1 = 7 mbar
- Presión en la cámara de combustión = 2 mbar
 $7 + 2 = 9$ mbar
 presión necesaria en la toma 1)(B).



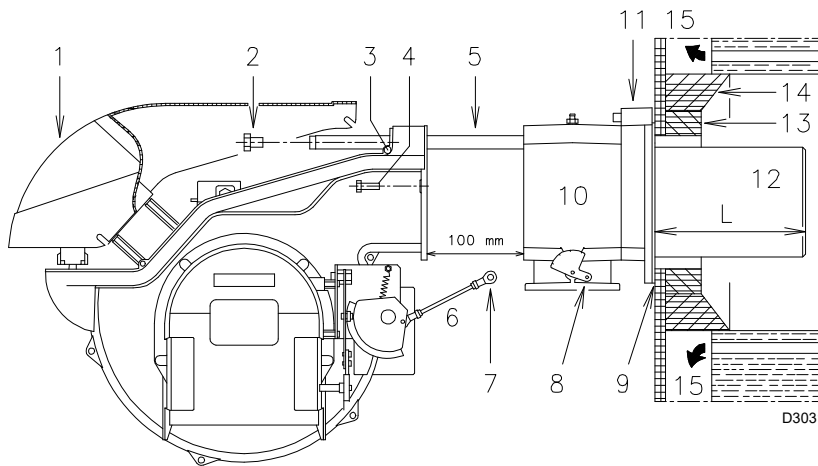
ATENCIÓN

Los datos de potencia térmica y presión del gas en el cabezal corresponden al funcionamiento con válvula de mariposa de gas completamente abierta (90°).

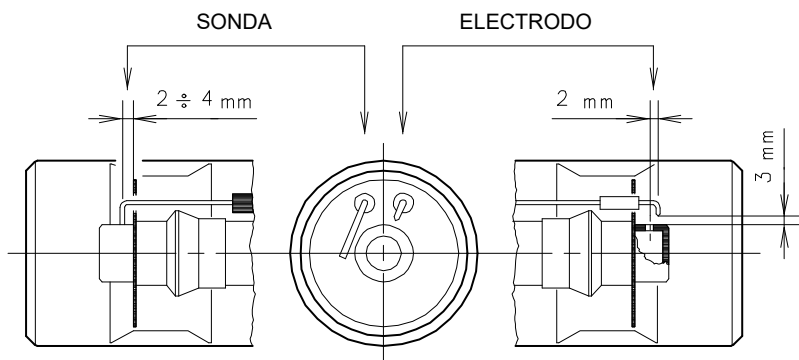
mm	A	B	C
RS 70	185	275 - 325	M 12
RS 100	185	275 - 325	M 12
RS 130	195	275 - 325	M 12



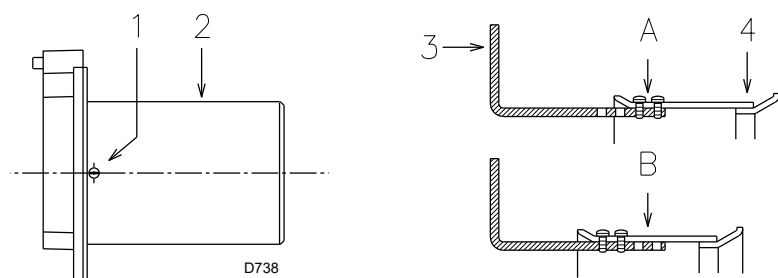
(A)



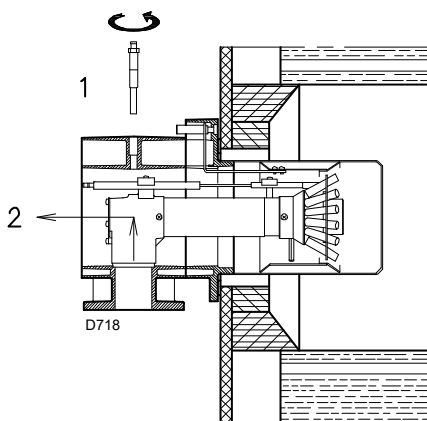
(B)



(C)



(D)



(E)

INSTALACIÓN

PLACA DE CALDERA (A)

Taladrar la placa de cierre de la cámara de combustión tal como se indica en (A). Puede marcarse la posición de los orificios roscados utilizando la junta aislante que se suministra con el quemador.

LONGITUD TUBO LLAMA (B)

La longitud del tubo de llama debe seleccionarse de acuerdo con las indicaciones del fabricante de la caldera y, en cualquier caso, debe ser mayor que el espesor de la puerta de la caldera completa, con el material refractario incluido. Las longitudes, L (mm), disponibles son:

Tubo llama 12):	RS 70	RS 100	RS 130
• corto	250	250	280
• largo	385	385	415

Para calderas con pasos de humos delanteros 15) o con cámara de inversión de llama, colocar una protección de material refractario 13) entre el refractario de la caldera 14) y el tubo de llama 12). Esta protección debe permitir el desplazamiento del tubo de llama.

En calderas con frontal refrigerado por agua, no es necesario el revestimiento refractario 13)-14)(B), salvo que lo indique el fabricante de la caldera.

FIJACIÓN DEL QUEMADOR A LA CALDERA (B)

Antes de fijar el quemador a la caldera, verificar (a través de la abertura del tubo de llama) si la sonda y el electrodo de encendido están correctamente posicionados como se muestra en la figura (C).

Luego separar el cabezal de combustión del resto del quemador, fig. (B):

- Desenroscar los 4 tornillos 3) y extraer la envoltura 1);
- Desenganchar la articulación 7) del sector graduado 8);
- Desenroscar los tornillos 2) de las dos guías 5);
- Desenroscar los 2 tornillos 4) y desplazar el quemador por las guías 5) unos 100 mm;
- Desconectar los cables de la sonda y del electrodo y a continuación extraer por completo el quemador de las guías.

PREAJUSTE DEL CABEZAL DE COMBUSTIÓN

Ahora, para el modelo RS 130 controlar que el caudal máximo del quemador en 2ª llama esté comprendido dentro de la zona A o dentro de la B del campo de trabajo. Véase pág. 4.

Si está en la zona A, no hay que hacer ningún ajuste.

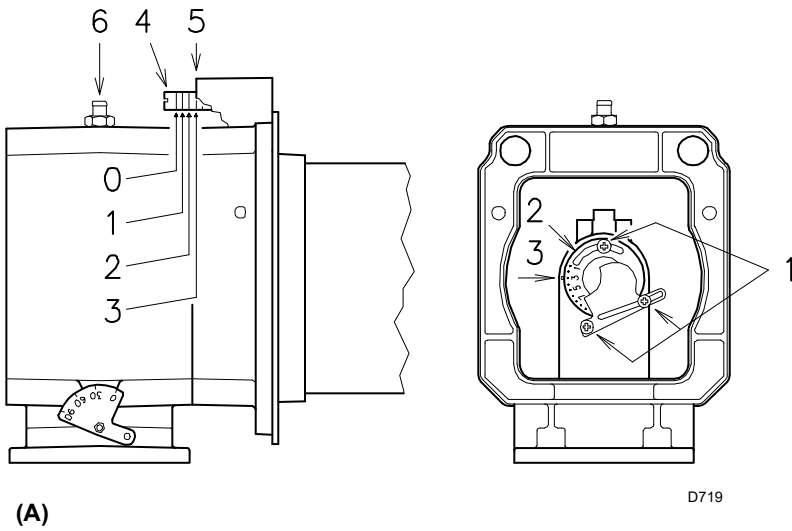
Por el contrario, en la zona B:

- Desenroscar los tornillos 1)(D) y desmontar el tubo llama 2).
- Desplazar la fijación de la varilla 3)(D) desde la posición A a la B, así retrocediendo el obturador 4).
- Volver a montar el tubo llama 2)(D) y los tornillos 1).

Una vez concluida la operación, fijar la brida 11)(B) a la placa de la caldera, intercalando la junta 9)(B) que se suministra. Utilizar los 4 tornillos que se suministran, después de haber protegido la rosca con algún producto antibloqueo. El acoplamiento del quemador con la caldera debe ser hermético.

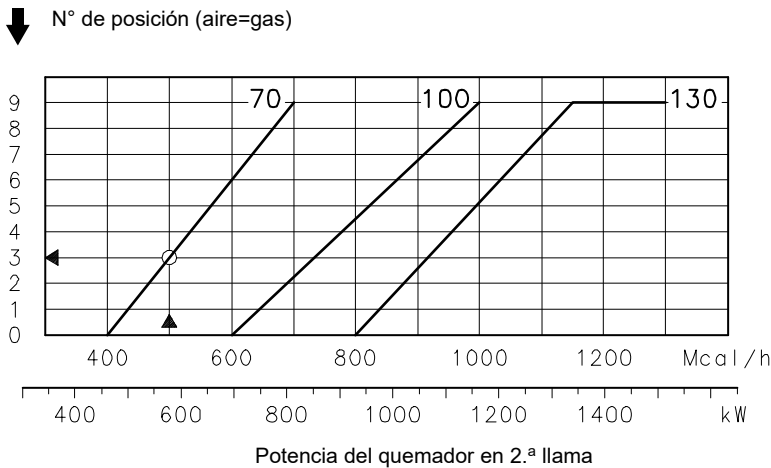
Si en la verificación anterior, la posición de la sonda o del electrodo no era correcta, desenroscar el tornillo 1)(E), extraer la parte interior 2)(E) del cabezal y proceder a su calibración.

No hacer girar la sonda, sino dejarla como se indica en (C), ya que si se sitúa demasiado cerca del electrodo de encendido podría dañar el amplificador de la caja de control.



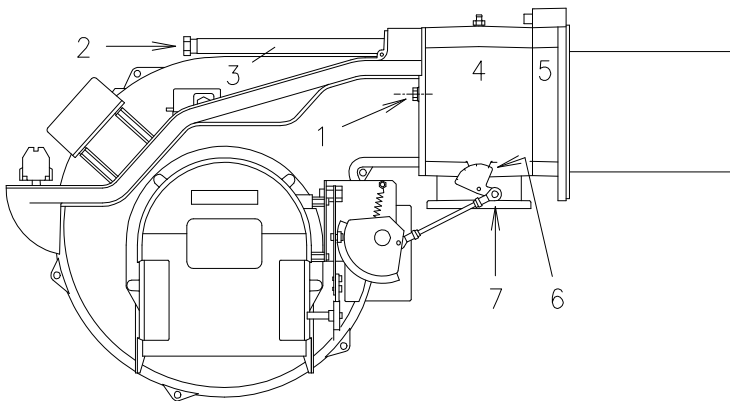
(A)

(B)



(C)

D720



(D)

D3032

REGULACIÓN DEL CABEZAL DE COMBUSTIÓN

En este punto de la instalación, el tubo de llama y el soporte quemador se fijan a la caldera como se indica en la Fig. (A). Así pues, resulta particularmente fácil efectuar el reglaje del cabezal de combustión; esta regulación depende únicamente de la potencia que desarrollará el quemador en 2.^a llama.

Por tanto, antes de efectuar esta regulación se debe conocer este valor.

En el cabezal se deben efectuar dos regulaciones, la del aire y la del gas.

Hallar en el gráfico (C) la posición a la cual regular el aire y el gas, del modo siguiente:

Regulación aire (A)

Girar el tornillo 4)(A) hasta que coincida el número de posición hallada con el plano anterior 5)(A) de la brida.

Regulación gas (B)

Aflojar los tres tornillos 1)(B) y girar el disco 2) hasta que coincida el número de posición hallada con el índice 3). Apretar bien los tres tornillos 1).

Ejemplo:

Quemador RS 70,

potencia quemador = 581 kW (500 Mcal/h)

En el gráfico (C), para esta potencia el número de posición de regulación del aire y del gas es la 3, tal como está en los dibujos Fig.(A) y Fig. (B).

NOTA

El gráfico (C) indica la regulación óptima del cabezal. Si la presión de la red de alimentación de gas es muy baja y no permite que se alcance la presión que se indica en la pág. 5 en 2.^a llama, y si el disco 2)(B) está sólo parcialmente abierto, aún es posible abrir el disco 1 ó 2 posiciones.

Siguiendo el ejemplo anterior, en la pág. 5 se ve que para un quemador RS 70 con una potencia de 581 kW (500 Mcal/h), se necesita una presión aproximada de 6 mbar en la toma 6)(A). Si no se dispone de dicha presión, abrir el disco 2)(B) hasta la posición 4-5.

Verificar que la combustión sea satisfactoria y sin pulsaciones.

Finalizada la regulación del cabezal, volver a montar el quemador en las guías 3)(D) a unos 100 mm del soporte quemador 4)(D) (quemador en la posición que muestra la Fig. (B) p.6); conectar los cables de la sonda y del electrodo y a continuación desplazar el quemador hasta el soporte (quemador en la posición que muestra la Fig. (D)).

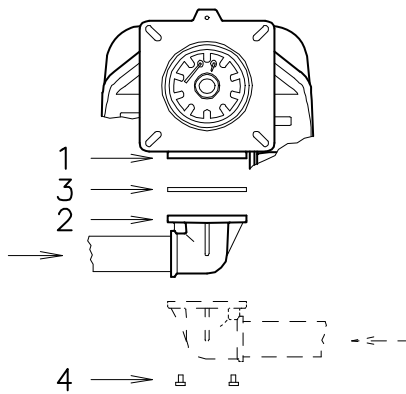
Volver a colocar los tornillos 2) en las guías 3). Fijar el quemador al soporte mediante los tornillos 1).

Montar la articulación 7) en el sector graduado 6).



Atención

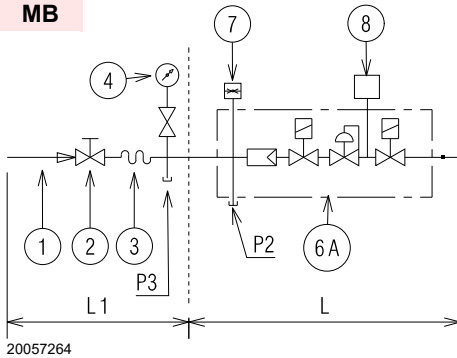
En el momento de cerrar el quemador en las guías, es conveniente tirar suavemente hacia afuera del cable de alta tensión y del de la sonda de ionización hasta que estén ligeramente tensados.



(A)

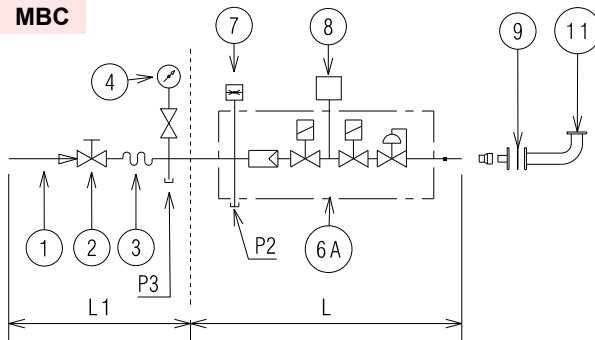
D722

MB



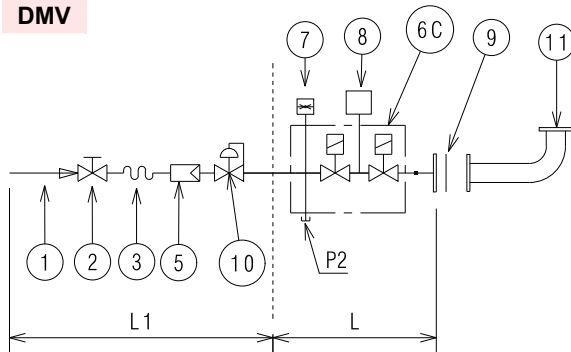
20057264

MBC



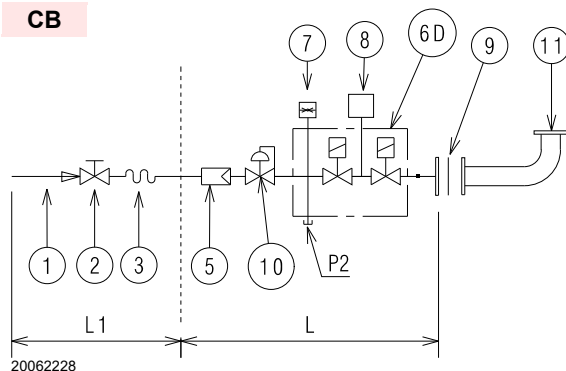
20062223

DMV



20062227

CB



20062228

(B)

LÍNEA ALIMENTACIÓN DE GAS

- La rampa de gas va acoplada a la conexión de gas 1)(A), mediante la brida 2), la junta 3) y los tornillos 4, que se suministran con el quemador.
- La rampa puede llegar por la derecha o por la izquierda, según convenga. Ver Fig. (A).
- Las electroválvulas 8)-9)(B) del gas deben estar lo más cerca posible del quemador, para asegurar la llegada del gas al cabezal de combustión en el tiempo de seguridad de 3 segundos.
- Asegurarse de que el campo de tarado del regulador de presión (color del muelle) abarque la presión de gas que necesita el quemador.

RAMPA DE GAS (B)

Está homologada según norma EN 676 y se suministra separadamente del quemador.

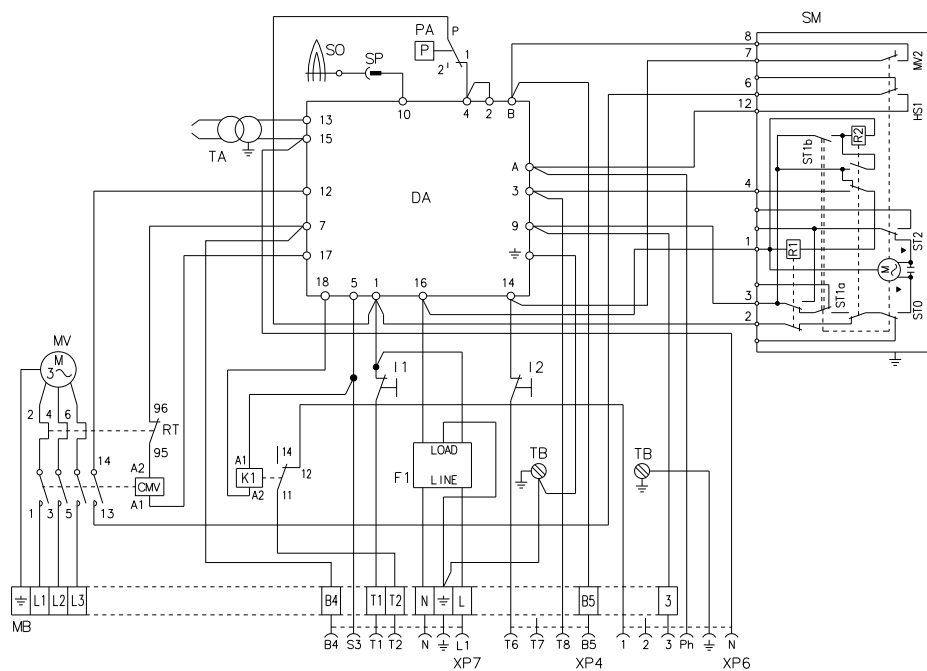
Para seleccionar el modelo correcto de la rampa de gas, consultar el manual "Acoplamiento quemador-rampa de gas" suministrado con la instalación.

LEYENDA (B)

- 1 Conducto entrada gas
- 2 Válvula manual
- 3 Junta antivibratoria
- 4 Manómetro con válvula de pulsador
- 5 Filtro
- 6A Comprende:
 - filtro
 - válvula de funcionamiento
 - válvula de seguridad
 - regulador de presión
- 6C Comprende:
 - válvula de seguridad
 - válvula de funcionamiento
- 6D Comprende:
 - válvula de seguridad
 - válvula de funcionamiento
- 7 Presostato gas de mínima
- 8 Control de estanqueidad, suministrado como accesorio o integrado, según el código de rampa de gas. Según la norma EN 676 el control de estanqueidad es obligatorio para quemadores con potencia máxima superior a 1200 kW.
- 9 Junta, sólo para versiones "embridadas"
- 10 Regulador de presión
- 11 Adaptador rampa-quemador, suministrado por separado
- P2 Presión antes de las válvulas/regulador
- P3 Presión antes del filtro
- L Rampa de gas, suministrada por separado
- L1 A cargo del instalador

Nota

Para la regulación de la rampa de gas, ver las instrucciones que acompañan a la misma.



(A)

20126560

INSTALACIÓN ELÉCTRICA

INSTALACIÓN ELÉCTRICA de fábrica

ESQUEMA (A)

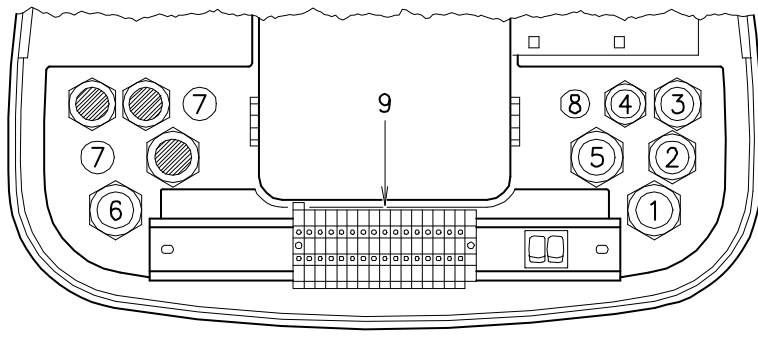
- Los modelos RS 70 - RS 100 - RS 130, salen de fábrica previstos para una alimentación eléctrica a **400 V**.
- Si la alimentación es a **230 V**, cambiar el conexionado del motor (de estrella a triángulo) y la regulación del relé térmico.

LEYENDA ESQUEMAS (A)

CMV	- Contactor motor
DA	- Caja de control (Landis RMG)
F1	- Filtro contra radiointerferencias
K1	- Relé
I1	- Interruptor: marcha - paro
I2	- Interruptor: 1.ª - 2.ª llama
MB	- Regleta quemador
MV	- Motor ventilador
PA	- Presostato aire
RT	- Relé térmico
SM	- Servomotor
SO	- Sonda de ionización
SP	- Conector
TA	- Transformador de encendido
TB	- Conexión a tierra quemador
XP4	- Conector hembra de 4 contactos
XP6	- Conector hembra de 6 contactos
XP7	- Conector hembra de 7 contactos

ATENCIÓN

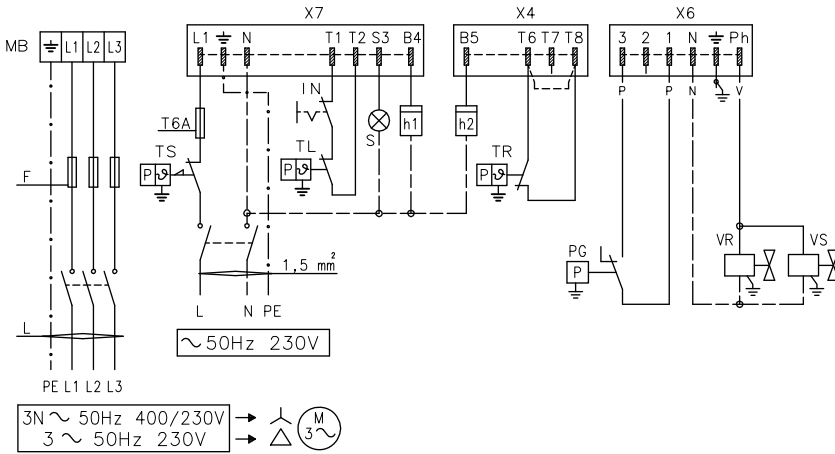
En caso de alimentación fase-fase es necesario efectuar un puente en la regleta de conexiones de la caja de control entre el borne 6 y el borne de tierra.



(A)

D955

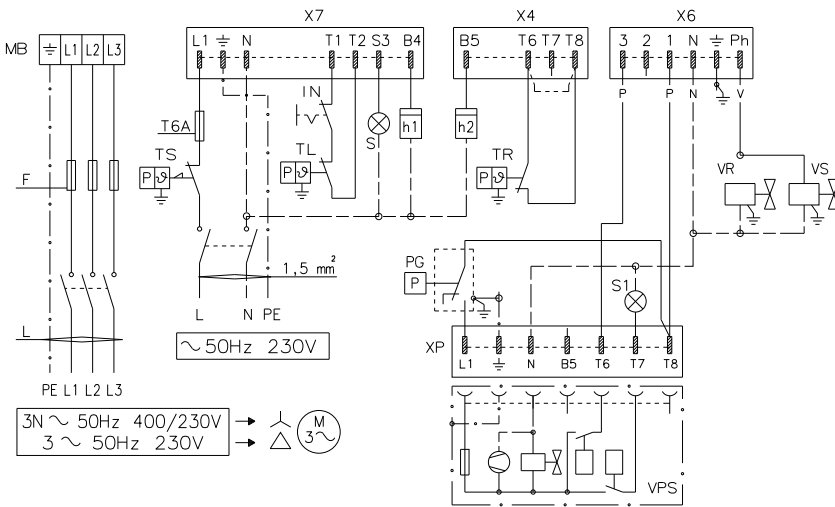
RS 70 - RS 100 - RS 130 sin control de estanqueidad en las válvulas de gas



(B)

D3141

RS 70 - RS 100 - RS 130 con control de estanqueidad en válvulas de gas VPS



(C)

D3142

		RS 70		RS 100		RS 130	
		230 V	400 V	230 V	400 V	230 V	400 V
F	A	T10	T6	T16	T10	T16	T10
L	mm ²	1,5	1,5	1,5	1,5	1,5	1,5

(D)

CONEXIONADO ELÉCTRICO

Utilizar cables flexibles según norma EN 60 335-1:

- si revestidos de PVC, usar al menos H05 VV-F
- si revestidos de goma, usar al menos H05 RR-F.

Todos los cables que vayan conectados a la regleta 9(A) del quemador deben canalizarse a través de los pasacables.

Los pasacables y los orificios insinuados pueden utilizarse de varias formas; a modo de ejemplo, indicamos la forma siguiente:

- 1-Pg 13,5 Alimentación trifásica
- 2-Pg 11 Conector XP6 - válvulas de gas
- 3-Pg 11 Conector XP7 - Termostato TL y alimentación monofásica
- 4-Pg 9 Conector XP4 - Termostato TR
- 5-Pg 13,5 No se utiliza
- 6-Pg 13,5 Presostato gas o dispositivo control de estanqueidad válvulas de gas
- 7-Pg 11 Agujerear, si se desea utilizar
- 8-Pg 9 Agujerear, si se desea utilizar

SCHEMA (B)

Conexión eléctrica quemadores RS 70 - RS 100 - RS 130 sin control de estanqueidad en las válvulas de gas

SCHEMA (C)

Conexión eléctrica quemadores RS 70 - RS 100 - RS 130 con control de estanqueidad en válvulas de gas VPS

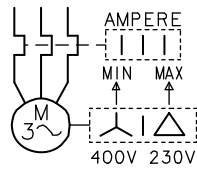
El control de estanqueidad de las válvulas de gas se efectúa justo antes de cada arranque del quemador.

Fusibles y sección cables esquemas (B - C), ver tabla (D).

Sección de bable no indicada: 1,5 mm²

LEYENDA ESQUEMAS (B) - (C)

- h1 - Cuentahoras de 1° llama
- h2 - Cuentahoras de 2° llama
- IN - Interruptor paro manual quemador
- X4 - Conector macho de 4 contactos
- X6 - Conector macho de 6 contactos
- X7 - Conector macho de 7 contactos
- XP - Conector de control de estanqueidad
- MB - Regleta quemador
- PG - Presostato gas de mínima
- S - Señalización de bloqueo a distancia
- S1 - Señaliz. bloqueo control estanqueidad a distancia
- TR - Termostato de regulación: manda la 1ª y 2ª llama de funcionamiento. Si se desea que el quemador tenga un funcionamiento de una sola llama, sustituir TR con un puente.
- TL - Termostato de regulación máxima: provoca el paro del quemador cuando la temperatura o la presión en caldera alcanza el valor preestablecido.
- TS - Termostato de seguridad: actúa en caso de avería del termostato TL.
- VR - Electroválvula de regulación
- VS - Electroválvula de seguridad



(A)

D867

ESQUEMA (A)**Regulación del relé térmico 7)(A)p. 3**

Sirve para evitar que se quemé el motor por un fuerte aumento del consumo debido a la ausencia de una fase.

- Si el motor es alimentado en estrella, **400 V**, el cursor debe situarse en "MIN".
- Si el motor es alimentado a triángulo, **230 V**, el cursor debe situarse en "MAX".

Si la escala del relé térmico no comprende el consumo nominal del motor a 400 V, la protección está igualmente asegurada.

NOTE

• Los quemadores RS 70 - RS 100 - RS 130 salen de fábrica preparados para una alimentación eléctrica a **400 V**. Si la alimentación es a **230 V**, cambiar el conexionado del motor (de estrella a triángulo) y la regulación del relé térmico.

• Los quemadores RS 70 - RS 100 - RS 130 han sido homologados para funcionar de modo intermitente. Ello significa que deben pararse "por Norma" al menos una vez cada 24 horas para permitir que la caja de control efectúe una verificación de la eficacia al arranque. Normalmente, el paro del quemador está asegurado por el termostato de la caldera.

Si no fuese así, debería colocarse en serie con el interruptor IN, un interruptor horario que parase el quemador al menos una vez cada 24 horas.

• Los quemadores RS 70 - RS 100 - RS 130 salen de fábrica ajustados para el funcionamiento de dos llamas y, por consiguiente, se debe conectar el termostato TR.

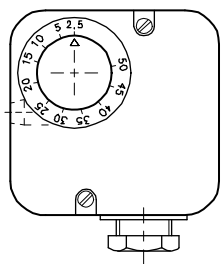
Se si desea que estos quemadores tengan un funcionamiento monostadio (todo-nada), colocar un puente entre los bornes 6 y 7, en sustitución del termostato TR.

ATENCIÓN:

No invertir Neutro con Fase en la línea de alimentación eléctrica.

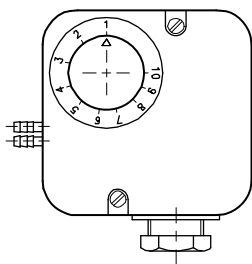
La inversión provocaría una parada en bloqueo por falta de encendido.

PRESOSTATO GAS DE MÍN.



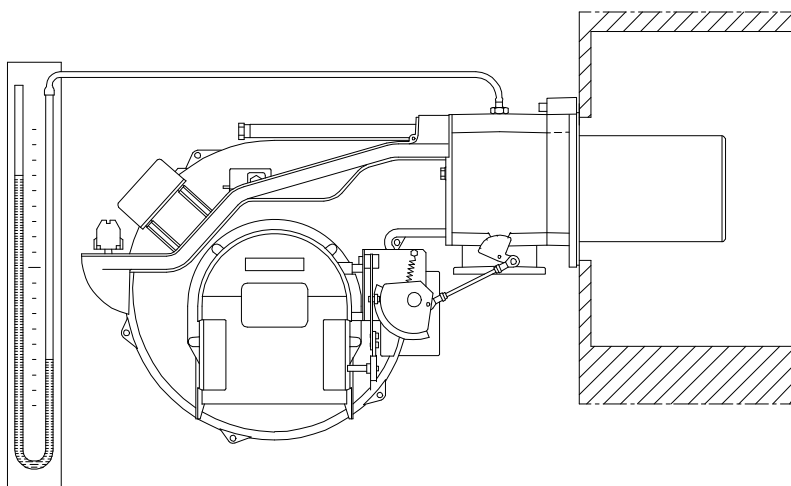
(A)

PRESOSTATO AIRE



(B)

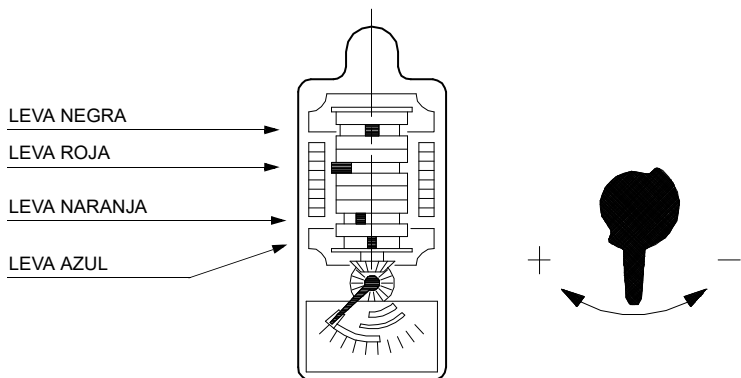
D897



(C)

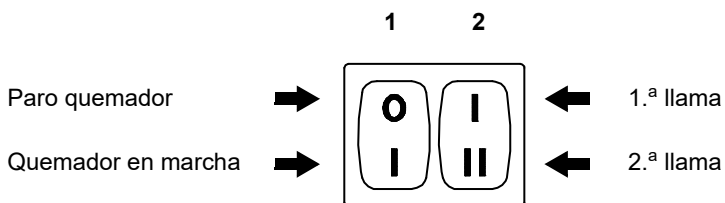
D3033

SERVOMOTOR



(D)

D728



(E)

D469

REGULACIÓN ANTES DEL PRIMER ENCENDIDO

La regulación del cabezal de combustión, aire y gas, ya se ha descrito en la pág. 7.

Efectuar, además, las siguientes regulaciones:

- Abrir las válvulas manuales situadas antes de la rampa de gas.
- Regular el presostato gas de mínima al inicio de la escala (A).
- Regular el presostato aire al inicio de la escala (B).
- Purgar el aire de la línea de gas.

Es aconsejable evacuar el aire purgado al exterior del edificio (mediante un tubo de plástico) hasta notar el olor característico del gas.

- Instalar un manómetro de tubo en "U" (C) en la toma de presión del soporte quemador. Sirve para calcular, aproximadamente, la potencia del quemador en 2.ª llama mediante las tablas de la pág. 5.

- Conectar en paralelo a las dos electroválvulas de gas VR y VS, dos lámparas o un tester para controlar el momento de la llegada de tensión.

Esta operación no es necesaria si cada una de las electroválvulas va equipada de una luz piloto que señale la presencia de tensión eléctrica.

Antes de poner en marcha el quemador, es conveniente regular la rampa de gas de forma que el encendido se produzca en condiciones de máxima seguridad, es decir, con un pequeño caudal de gas.

SERVOMOTOR (D)

El servomotor regula simultáneamente el registro del aire por la leva de perfil variable y la válvula de mariposa del gas.

El ángulo de rotación del servomotor es igual al ángulo del sector graduado de la válvula de mariposa del gas. El servomotor gira 90° en 15 segundos.

No modificar la regulación efectuada en fábrica de las 4 levas con que va dotado; verificar simplemente que las levas estén reguladas del siguiente modo:

Leva roja : 90°

Limita la rotación máxima. Con el quemador funcionando en 2.ª llama, la válvula de mariposa del gas debe estar completamente abierta: 90°.

Leva azul : 0°

Limita la rotación mínima.

Con el quemador parado, el registro de aire y la válvula de mariposa del gas deben estar cerrados: 0°.

Leva naranja : 15°

Regula la posición de encendido y potencia en 1.ª llama.

Leva negra : 85°

Suministra tensión al borne B5.

Una tarjeta graduada con 4 sectores coloreados indica la leva que interviene.

PUESTA EN MARCHA DEL QUEMADOR

Cerrar los termostatos y poner:

- el interruptor 1)(E) en la posición "Quemador en marcha";
- el interruptor 2)(E) en la posición "1ª llama".

Tan pronto se pone en marcha el quemador, controlar el sentido de giro de la turbina del ventilador a través del visor de llama 13)(A)p.3.

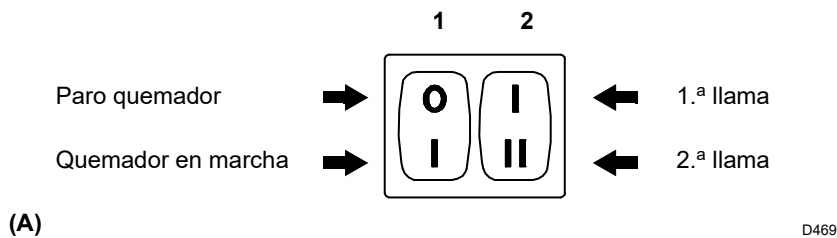
Verificar que las lámparas o el tester conectados a las electroválvulas, o las luces piloto de las propias electroválvulas, indiquen ausencia de tensión. Si señalan que hay tensión, parar **inmediatamente** el quemador y comprobar el conexionado eléctrico.

ENCENDIDO DEL QUEMADOR

Después de haber efectuado las operaciones descritas en el apartado anterior, el quemador debe de encenderse. Si el motor arranca pero no aparece llama y la caja de control se bloquea, rearmarla y efectuar un nuevo intento de puesta en marcha. Si el encendido sigue sin producirse, puede ser debido a que el gas no llega al cabezal de combustión en el tiempo de seguridad de 3 segundos. En tal caso, aumentar el caudal de gas en el encendido.

La llegada de gas al quemador puede observarse en el manómetro de tubo en "U" (C).

Una vez efectuado el encendido, se procederá a la regulación completa del quemador.



REGULACIÓN DEL QUEMADOR

Para lograr una regulación óptima del quemador, es necesario efectuar un análisis de los gases de combustión en la base de la chimenea.

Hay que regular en secuencia:

- 1 - Potencia de encendido
- 2 - Potencia del quemador en 2.ª llama
- 3 - Potencia del quemador en 1.ª llama
- 4 - Potencia intermedia
- 5 - Presostato aire
- 6 - Presostato gas de mínima

1 - POTENCIA DE ENCENDIDO

Según norma EN 676.

Quemadores con potencia MÁX hasta 120 kW

El encendido puede efectuarse a la potencia máxima de funcionamiento. Ejemplo:

- potencia máxima de funcionamiento : 120 kw
- potencia máxima de encendido : 120 kW

Quemadores con potencia MÁX superior a 120 kW

El encendido debe efectuarse a una potencia reducida respecto a la potencia máxima de funcionamiento.

Si la potencia de encendido no supera los 120 kW, no es necesario hacer ningún cálculo. En cambio, si la potencia supera los 120 kW, la norma establece que su valor sea definido en función del tiempo de seguridad "ts" de la caja de control:

- para "ts" = 2s. La potencia de encendido debe ser igual o inferior a 1/2 de la potencia máxima de funcionamiento;
- para "ts" = 3s. La potencia de encendido debe ser igual o inferior a 1/3 de la potencia máxima de funcionamiento.

Ejemplo

Potencia MÁX de funcionamiento 600 kW.

La potencia de encendido debe ser igual o inferior a:

- 300 kW con ts = 2 s
- 200 kW con ts = 3 s

Para medir la potencia de encendido:

- Desconectar la conector 8)(A)p.3 del cable de la sonda de ionización (el quemador se enciende y se bloquea pasado el tiempo de seguridad).
- Efectuar 10 encendidos con bloqueos consecutivos.
- Leer en el contador la cantidad de gas consumido.

Esta cantidad debe ser igual o inferior a la que nos da la fórmula, para ts = 3 s:

$$\frac{\text{Nm}^3/\text{h}}{\text{(caudal máx. quemador)}}$$

360

Ejemplo con gas natural G 20 (10 kWh/Nm³):

Potencia máxima de funcionamiento: 600 kW

corresponde un consumo de 60 Nm³/h.

Después de 10 encendidos con bloqueo, el caudal de gas medido en el contador debe ser igual o inferior a:

$$60 : 360 = 0,166 \text{ Nm}^3.$$

2 - POTENCIA EN 2.ª LLAMA

La potencia en 2.ª llama se elige dentro del campo de trabajo que se indica en la pág. 4.

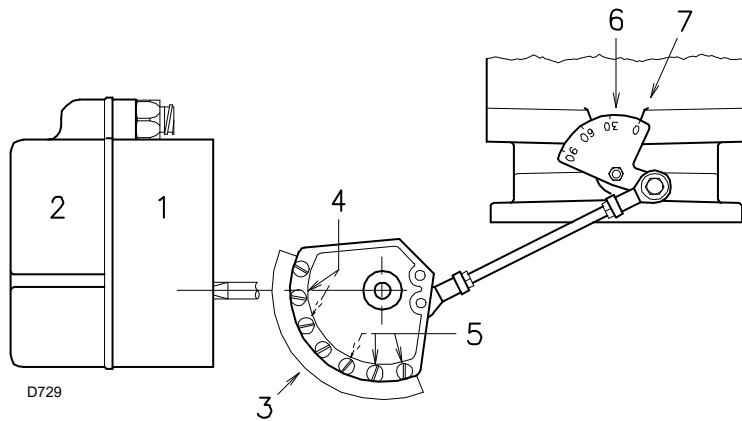
En la descripción anterior, el quemador estaba encendido en 1ª llama. Situar ahora el interruptor 2)(A) en posición "2.ª llama" y: el servomotor abrirá el registro del aire y, al mismo tiempo, la válvula de mariposa del gas a 90°.

Regulación del gas

Medir el caudal de gas en el contador.

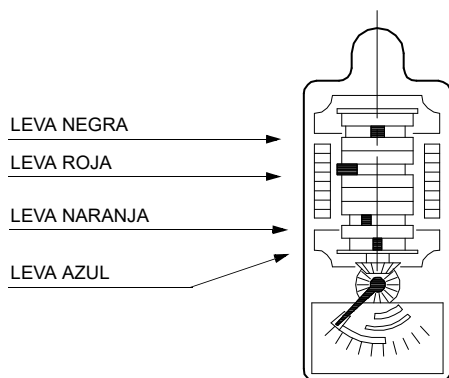
A título orientativo, puede determinarse mediante las tablas de la pág.5, mirando la presión del gas en el manómetro de tubo en "U" (ver Fig. (C)p.12, y siguiendo las indicaciones de la pág.5.

- Si es necesario reducirlo, disminuir la presión del gas a la salida y, si ya está al mínimo, cerrar un poco la electroválvula de regulación VR.
- Si es necesario aumentarla, incrementar la presión de gas a la salida del regulador.

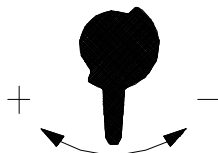


- 1 Servomotor
 2 Tapa levas
 3 Leva de perfil variable
 4 Tornillos regulación perfil inicial
 5 Tornillos regulación perfil final
 6 Sector graduado válvula de mariposa gas
 7 Índice del sector graduado 6

(A)



D728



(B)

Regulación del aire

Variar progresivamente el perfil final de la leva 3)(A), actuando sobre los tornillos 5).

- Para aumentar el caudal de aire, enroscar los tornillos.
- Para disminuir el caudal de aire, desenroscar los tornillos.

3 - POTENCIA EN 1.ª LLAMA

La potencia en 1.ª llama se elige dentro del campo de trabajo que se indica en la pág. 4.

Pulsar el interruptor 2)(A)p.13 en posición "1.ª llama": el servomotor cerrará el registro del aire, y al mismo tiempo, el de mariposa situándolo a 15°, que es la regulación efectuada en fábrica.

Regulación del gas

Medir el caudal de gas en el contador.

- Si se desea disminuirlo, reducir un poco el ángulo de la leva naranja (B) mediante cortos desplazamientos sucesivos, es decir, pasando del ángulo de 15° a 13° - 11°....
- Si se desea aumentarlo, pasar a 2.ª llama pulsando el interruptor 2)(A)p. 13 en posición "2.ª llama" y aumentar un poco el ángulo de la leva naranja (B) mediante cortos desplazamientos sucesivos, es decir, pasando del ángulo de 15° a 17° - 19°....

Seguidamente retornar a 1.ª llama y medir el caudal de gas.

NOTA

El servomotor sigue la regulación de la leva naranja sólo cuando se reduce el ángulo de la misma. Si se tiene que aumentar el ángulo de la leva, es necesario pasar a 2.ª llama, aumentar el ángulo y retornar a 1.ª llama para verificar el efecto de la regulación.

Regulación del aire

Variar progresivamente el perfil inicial de la leva 3)(A), actuando sobre los tornillos 4). Si es posible, no girar el primer tornillo, dado que es el que se utiliza para cerrar el registro del aire completamente.

4 - POTENCIAS INTERMEDIAS

Regulación del gas

No es necesaria ninguna regulación.

Regulación del aire

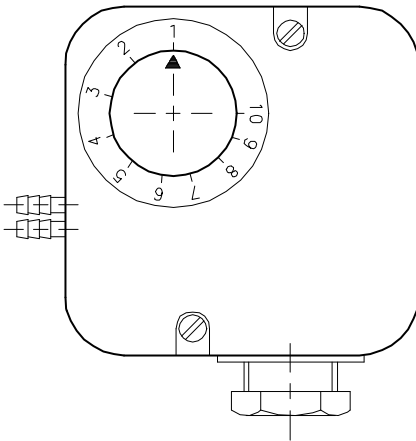
Parar el quemador actuando sobre el interruptor 1)(A)p. 13 y actuar sobre los tornillos intermedios de la guía de manera que la pendiente sea progresiva.

No tocar los tornillos extremos que ya se han utilizado para regular el registro del aire en 1.ª y 2.ª llama.

NOTA

Una vez terminada la regulación de las potencias 2.ª llama - 1.ª llama - intermedias, volver a verificar el encendido: debe producirse un ruido parecido al de funcionamiento sucesivo. Si se observan pulsaciones, reducir el caudal de encendido.

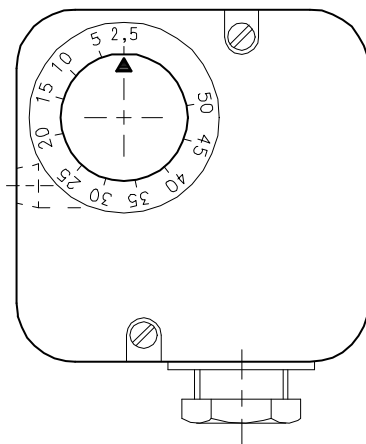
PRESOSTATO DE AIRE 14)(A)p. 3



(A)

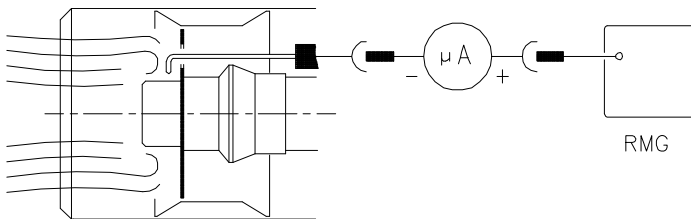
D521

PRESOSTATO GAS DE MÍNIMA 7)(B)p. 8



(B)

D896



(C)

D3023

5 - PRESOSTATO DE AIRE (A)

Efectuar la regulación del presostato de aire, después de haber efectuado todas las demás regulaciones del quemador, con el presostato de aire ajustado al inicio de la escala (A).

Con el quemador funcionando en 1.^a llama, aumentar la presión de regulación girando lentamente (en sentido horario) el botón que se facilita a tal efecto, hasta que se bloquee el quemador.

A continuación girar dicho botón en sentido contrario a las agujas del reloj, alrededor de un 20% del valor regulado y verificar seguidamente el correcto funcionamiento del quemador.

Si el quemador se bloquea de nuevo, girar el botón un poco más, en sentido contrario a las agujas del reloj.

Atención: por norma, el presostato de aire debe impedir que el CO en los humos sea superior al 1% (10.000 p.p.m.). Para comprobarlo, introducir un analizador de CO en la chimenea, cerrar lentamente la boca de aspiración del ventilador (p.ej. con un cartón) y verificar que el quemador se bloquee antes de que el CO en los humos supere el 1%.

El presostato del aire es del tipo diferencial. Si existe una gran depresión en la cámara de combustión en la fase de prebarrido, puede ocurrir que el presostato no cierre su contacto; en este caso, colocar un tubito entre el presostato y la boca de aspiración del ventilador.

Atención: el uso del presostato de aire con funcionamiento diferencial sólo se permite en aplicaciones industriales y donde las normas permitan que el presostato de aire controle sólo el funcionamiento del ventilador, sin límite de referencia por lo que respecta al CO.

6 - PRESOSTATO GAS DE MÍNIMA (B)

Efectuar la regulación del presostato de gas de mínima después de haber efectuado todas las regulaciones del quemador, con el presostato ajustado al inicio de la escala (B).

Con el quemador funcionando en 2.^a llama, aumentar la presión de regulación girando lentamente (en sentido horario) el botón que se facilita a tal efecto, hasta que se pare el quemador.

A continuación, girar dicho botón (en sentido contrario a las agujas del reloj) 0,2 kPa (2 mbar) y repetir el arranque del quemador para verificar la regularidad de funcionamiento.

Si el quemador se para de nuevo, girar el botón (en sentido contrario a las agujas del reloj) 0,1 kPa (1 mbar).



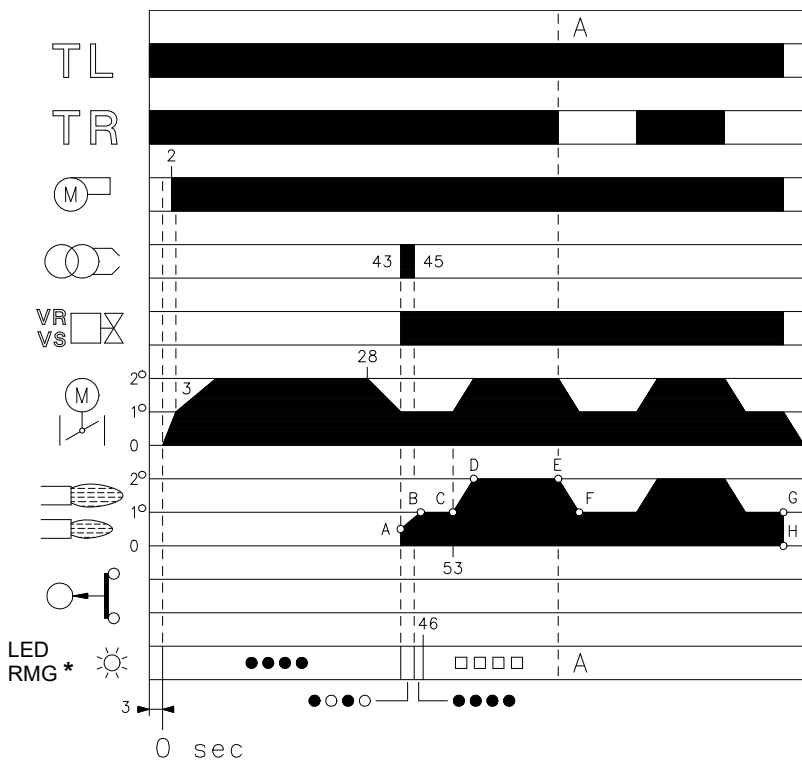
1 kPa = 10 mbar

ATENCIÓN

CONTROL PRESENCIA LLAMA (C)

El quemador está dotado de un sistema de ionización para controlar la presencia de la llama. La corriente mínima para el funcionamiento de la caja de control es de 5 μ A. El quemador genera una corriente netamente superior, no precisando normalmente ningún control. Sin embargo, si se desea medir la corriente de ionización, es preciso desenchufar el conector 8)(A)p.3 del cable de la sonda de ionización y conectar un microamperímetro de corriente continua de una baja escala de 100 μ A. Atención a la polaridad.

ENCENDIDO NORMAL
(n° = segundos a partir del instante 0)

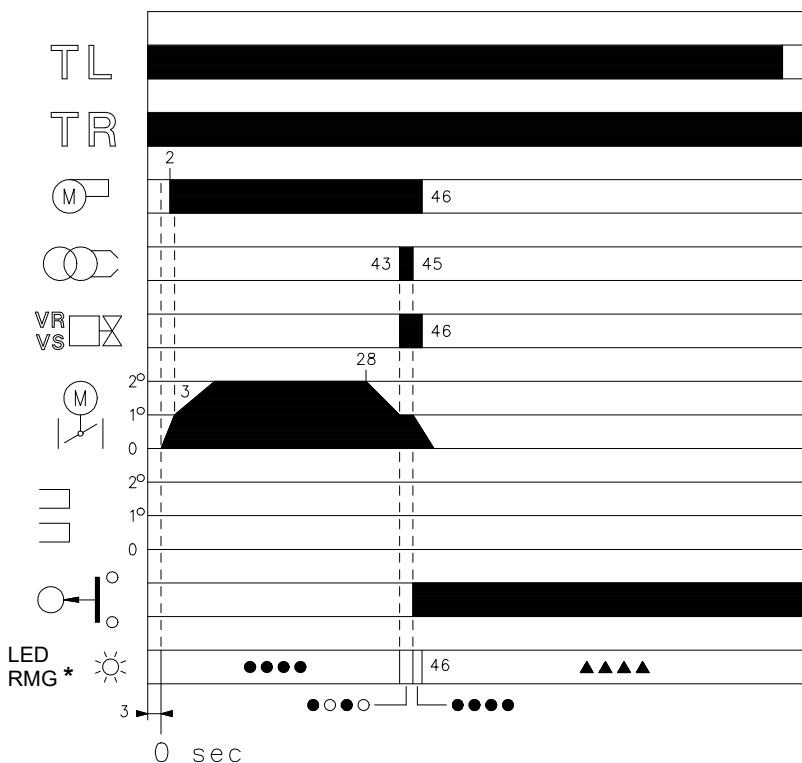


* ○ Apagado ● Amarillo □ Verde ▲ Rojo
Para mayores informaciones, véase la pág. 18.

(A)

D3051

FALTA DE ENCENDIDO



* ○ Apagado ● Amarillo ▲ Rojo
Para mayores informaciones, véase la pág. 18.

(B)

D3052

FUNCIONAMIENTO DEL QUEMADOR

PUESTA EN MARCHA DEL QUEMADOR (A)

Se cierra el termostato TL.

Se pone en marcha el servomotor: gira hacia la derecha hasta llegar al ángulo escogido con la leva naranja. Después de alrededor de 3 s:

- 0 s : Inicia el programa la caja de control.
- 2 s : Se pone en marcha el motor ventilador.
- 3 s : Se pone en marcha el servomotor: gira hacia la derecha hasta llegar a la actuación de la leva roja. El registro del aire se sitúa en la posición de potencia de 2.ª llama. Fase de prebarrido, con el caudal de aire de la potencia de 2.ª llama. Duración: 25 segundos.
- 28 s : Se pone en marcha el servomotor: gira hacia la izquierda hasta llegar al ángulo escogido con la leva naranja.
- 43 s : El registro del aire y la válvula de mariposa del gas se sitúan en la posición de potencia de 1.ª llama. Se genera chispa en el electrodo de encendido.

Se abren las electroválvulas de seguridad VS y de regulación VR (abertura rápida). Se enciende la llama, con poca potencia, punto A. Sigue un progresivo aumento de la potencia, apertura lenta de la electroválvula VR, hasta llegar a la potencia de 1.ª llama, punto B.

- 45 s : Cesa la chispa.
- 53 s : Si el termostato TR está cerrado o sustituido por un puente, el servomotor gira hasta llegar a la actuación de la leva roja; colocando el registro del aire y el de mariposa del gas en posición de 2.ª llama, trazo C-D. Finaliza el ciclo de puesta en marcha de la caja de control.

FUNCIONAMIENTO A RÉGIMEN (A)

Caldera con termostato TR

Finalizado el ciclo de puesta en marcha, el mando del servomotor pasa al termostato TR, que controla la presión o la temperatura de la caldera, punto D. (La caja de control sigue controlando la presencia de llama y la correcta posición del presostato del aire).

- Cuando la temperatura aumenta hasta la apertura del termostato TR, el servomotor cierra el registro mariposa del gas y el del aire pasando el quemador de 2.ª a 1.ª llama (trazo E-F).
- Cuando la temperatura disminuye hasta el cierre del termostato TR, el servomotor cierra el registro mariposa del gas y el del aire pasando el quemador de 1.ª a 2.ª llama. Y así sucesivamente.
- El paro del quemador se produce cuando la demanda de calor es inferior a la generada por el quemador en 1.ª llama (trazo G-H). El termostato TL se abre, el servomotor regresa al ángulo 0°, limitado por el contacto de la leva azul. El registro se cierra completamente para reducir las pérdidas de calor al mínimo.

Caldera sin termostato TR, sustituido por un puente

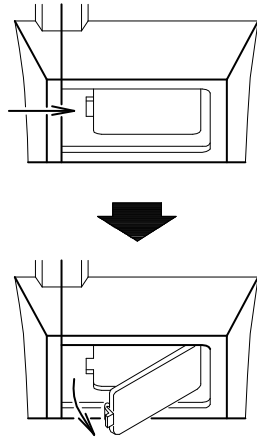
La puesta en marcha del quemador es del modo indicado con anterioridad. Sucesivamente, si la temperatura aumenta hasta la apertura del termostato TL, el quemador se apaga (trazo A-A del gráfico).

FALTA DE ENCENDIDO(B)

Si el quemador no se enciende, se produce el bloqueo del mismo a los 3 segundos de la apertura de la válvula de gas y a los 49 segundos del cierre del termostato TL. El LED rojo del aparato se enciende.

EXTINCIÓN DE LA LLAMA DURANTE EL FUNCIONAMIENTO

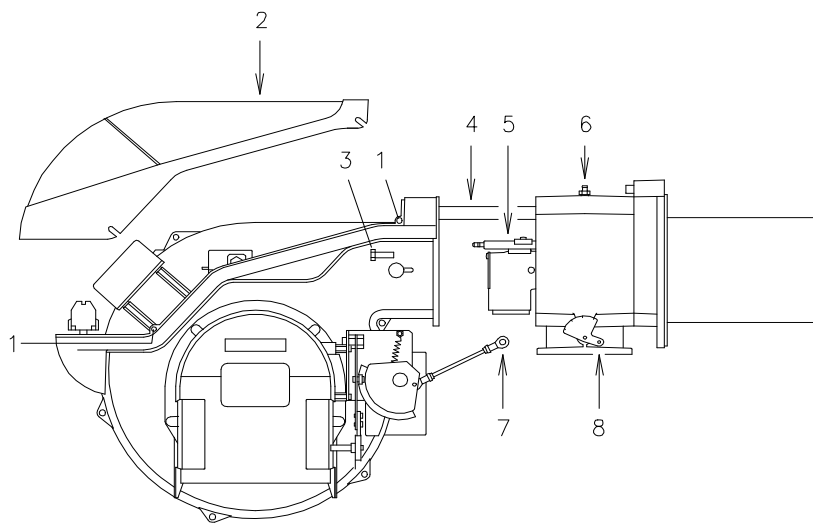
Si la llama se apaga durante el funcionamiento, el quemador se bloquea en 1 segundo.



(A)

D709

APERTURA BRUCIATORE



(B)

D3034

CONTROL FINAL (con el quemador funcionando)

- Desconectar un hilo del presostato gas de mínima:
 - Abrir el termostato TL:
 - Abrir el termostato TS:
- El quemador debe pararse
- Desconectar el hilo común P del presostato de aire:
 - Desconectar el hilo de la sonda de ionización:
- El quemador debe bloquearse
- Comprobar que los bloqueos mecánicos de los dispositivos de regulación estén bien apretados.

MANTENIMIENTO

Combustión

Efectuar el análisis de los gases de combustión que salen de la caldera. Las diferencias significativas respecto al último análisis indicarán los puntos donde deberán centrarse las operaciones de mantenimiento.

Fugas de gas

Comprobar que no haya fugas de gas en el conducto contador-quemador.

Filtro de gas

Sustituir el cartucho filtrante cuando esté sucio.

Visor llama

Limpiar el cristal del visor llama (A).

Cabezal de combustión

Abrir el quemador y verificar que todas las partes del cabezal de combustión estén intactas, no estén deformadas por las altas temperaturas, no tengan suciedad proveniente del ambiente y estén correctamente posicionadas. En caso de duda, desmontar el codo 5)(B).

Quemador

Verificar que no haya un desgaste anormal o tornillos flojos en los mecanismos que controlan el registro del aire y la válvula de mariposa del gas. Igualmente, los tornillos que fijan los cables eléctricos en la regleta del quemador deben estar bien apretados.

Limpiar exteriormente el quemador, en particular las rótulas y la leva 3)(A)p.14.

Combustión

Regular el quemador si los valores de la combustión obtenidos al inicio de la intervención no cumplen las normas en vigor o no corresponden a una buena combustión.

Anotar en una ficha de control los nuevos valores de la combustión; serán útiles para controles sucesivos.

PARA ABRIR EL QUEMADOR (B):

- Cortar la alimentación eléctrica.
- Aflojar el tornillo 1) y extraer la cubierta 2).
- Soltar la rótula 7) del sector graduado 8).
- En los modelos con tubo de llama alargado (385-415 mm), montar los prolongadores en las guías 4)
- Quitar el tornillo 3) y desplazar el quemador por las guías 4) unos 100 mm. Desconectar los cables de la sonda y del electrodo y desplazar todo el quemador.

En este punto es posible extraer el distribuidor de gas 5), después de haber desenroscado el tornillo 6).

PARA CERRAR EL QUEMADOR (B):

- Quitar el pasador 9) y empujar el quemador hasta que esté a unos 100 mm del soporte quemador.
- Volver a conectar los cables y desplazar el quemador hasta que haga tope.
- Volver a colocar el tornillo 3) y, con cuidado, tirar de los cables de la sonda y del electrodo hacia afuera, hasta someterlos a una ligera tensión.
- Volver a enganchar la rótula 7) en el sector graduado 8).
- Desmontar los dos prolongadores de guías 4).

COMPONENTE DE SEGURIDAD**CICLO DE VIDA**

Control llama	10 años o 250.000 ciclos de funcionamiento
Sensor llama	10 años o 250.000 ciclos de funcionamiento
Válvulas gas (tipo solenoide)	10 años o 250.000 ciclos de funcionamiento
Presostatos	10 años o 250.000 ciclos de funcionamiento
Regulador de presión	15 años
Servomotor (leva electrónica)(se la hay)	10 años o 250.000 ciclos de funcionamiento
Válvula aceite (tipo solenoide)(si la hay)	10 años o 250.000 ciclos de funcionamiento
Regulador aceite (si lo hay)	10 años o 250.000 ciclos de funcionamiento
Tubos/ racores aceite (metálicos) (si los hay)	10 años
Tubos flexibles (si los hay)	5 años o 30.000 ciclos de presión
Turbina ventilador	10 años o 500.000 arranques

(A)**PRUEBA DE SEGURIDAD – CON ALIMENTACIÓN GAS CERRADA**

Para la puesta en funcionamiento en condiciones de seguridad es muy importante comprobar la correcta ejecución de las conexiones eléctricas entre las válvulas del gas y el quemador.

Para ello, después de haber comprobado que las conexiones han sido realizadas en conformidad con los esquemas eléctricos del quemador, se debe realizar un ciclo de encendido con el grifo gas cerrado (dry test).

- 1 La válvula manual del gas debe estar cerrada con dispositivo de bloqueo/desbloqueo (Procedimiento "lock out/tag out").
- 2 Asegurar el cierre de los contactos eléctricos límite del quemador
- 3 Asegurar el cierre del contacto del presostato gas mínimo
- 4 Efectuar una tentativa de encendido del quemador

El ciclo de encendido se deberá realizar según las siguientes fases:

- encendido del motor del ventilador para la pre-ventilación
- Ejecución del control de estanqueidad válvulas gas, si está previsto.
- Completamiento de la pre-ventilación
- Alcance del punto de encendido
- Alimentación del transformador de encendido
- Alimentación de las válvulas del gas.

Con el gas cerrado, el quemador no podrá encenderse y su caja de control se posicionará en condición de parada o bloqueo de seguridad.

La alimentación efectiva de las válvulas del gas se podrá comprobar con la introducción de un multímetro; algunas válvulas están dotadas de señales luminosas (o indicadores de posición cierre/apertura) que se activan en el momento de su alimentación eléctrica.



EN CASO DE QUE LA ALIMENTACIÓN ELÉCTRICA DE LAS VÁLVULAS DEL GAS SE PRODUZCA EN MOMENTOS NO PREVISTOS, NO ABRIR LA VÁLVULA MANUAL, INTERRUMPIR LA ALIMENTACIÓN ELÉCTRICA, COMPROBAR LOS CABLEADOS; CORREGIR LOS ERRORES Y REALIZAR NUEVAMENTE TODA LA PRUEBA.

COMPONENTES DE SEGURIDAD

Los componentes de seguridad se deben sustituir según la finalización del ciclo de vida indicado en la Tab. (A).

Los ciclos de vida especificados no se refieren a los términos de garantía indicados en las condiciones de entrega o de pago.

DIAGNÓSTICO DEL PROGRAMA DE PUESTA EN MARCHA

Durante el programa de puesta en marcha, en la siguiente tabla se indican las explicaciones:

TABLA CÓDIGO COLOR	
Secuencias	Código color
Preventilación	● ● ● ● ● ● ● ● ● ●
Etapa de encendido	● ○ ● ○ ● ○ ● ○ ●
Funcionamiento con llama ok	□ □ □ □ □ □ □ □ □ □
Funcionamiento con señal de llama débil	□ ○ □ ○ □ ○ □ ○ □
Alimentación eléctrica inferior que ~ 170V	● ▲ ● ▲ ● ▲ ● ▲ ●
Bloqueo	▲ ▲ ▲ ▲ ▲ ▲ ▲ ▲ ▲
Luz extraña	▲ □ ▲ □ ▲ □ ▲ □ ▲
Legenda:	○ Apagado ● Amarillo □ Verde ▲ Rojo

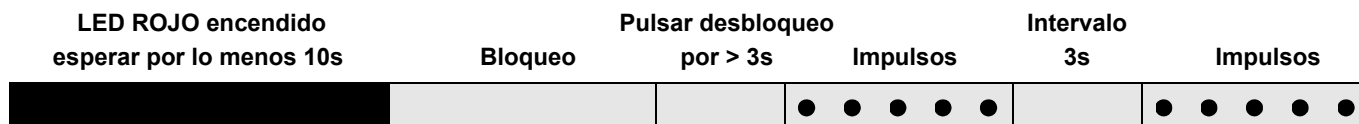
DESBLOQUEO DE LA CAJA DE CONTROL Y USO DE LA FUNCIÓN DE DIAGNÓSTICO

La caja de control suministrada tiene una función de diagnóstico con la que es posible individualizar fácilmente las posibles causas de un problema de funcionamiento (señalización: **LED ROJO**).

Para utilizar dicha función hay que esperar 10 segundos como mínimo desde el momento de la puesta en condición de seguridad (**bloqueo**), y luego oprimir el botón de desbloqueo.

La caja de control genera una secuencia de impulsos (cada 1 segundo) que se repite a intervalos constantes de 3 segundos.

Una vez visualizado el número de parpadeos e identificada la posible causa, hay que restablecer el sistema, manteniendo apretado el botón durante un tiempo comprendido entre 1 y 3 segundos.



A continuación se mencionan los métodos posibles para desbloquear la caja de control y para usar la función de diagnóstico.

DESBLOQUEO DE LA CAJA DE CONTROL

Para desbloquear la caja de control, proceda de la siguiente manera:

- Oprima el botón durante un tiempo comprendido entre 1 y 3 segundos.
El quemador arranca después de 2 segundos de haber soltado el botón.
Si el quemador no arranca, hay que controlar el cierre del termostato límite.

DIAGNÓSTICO VISUAL

Indica el tipo de desperfecto del quemador que produce el bloqueo.

Para ver el diagnóstico, proceda de la siguiente manera:

- Mantenga apretado el botón durante más de 3 segundos desde el momento en que el led rojo se encendió (bloqueo del quemador).
El final de la operación será indicado por un parpadeo amarillo.
Suelte el botón cuando se produzca dicho parpadeo. El número de parpadeos indica la causa del problema de funcionamiento, según el código que se indica en la tabla de la página 19.

DIAGNÓSTICO SOFTWARE

Suministra el análisis de la vida del quemador mediante una conexión óptica al PC, indicando las horas de funcionamiento, número y tipos de bloqueos, número de serie de la caja de control, etc.

Para ver el diagnóstico, proceda de la siguiente manera:

- Mantenga apretado el botón durante más de 3 segundos desde el momento en que el led rojo se encendió (bloqueo del quemador).
El final de la operación será indicado por un parpadeo amarillo.
Suelte el botón durante 1 segundo y luego oprímalo de nuevo durante más de 3 segundos hasta que se produzca otro parpadeo amarillo.
Al soltar el botón, el led rojo parpadeará intermitentemente con una frecuencia elevada: sólo en este momento se podrá conectar la conexión óptica.

Al concluir la operación hay que restablecer las condiciones iniciales de la caja de control, siguiendo los pasos de desbloqueo antedichos.

PRESIÓN DEL BOTÓN	ESTADO DE LA CAJA DE CONTROL
De 1 a 3 segundos	Desbloqueo de la caja de control sin visualización del diagnóstico visual.
Más de 3 segundos	Diagnóstico visual de la condición de bloqueo: (el led parpadea cada 1 segundo).
Más de 3 segundos desde la condición de diagnóstico visual	Diagnóstico software mediante la ayuda de la interfaz óptica y PC (posibilidad de visualizar las horas de funcionamiento, desperfectos, etc.)

La secuencia de los impulsos emitidos por la caja de control identifica los posibles tipos de avería que se mencionan en la página 19.

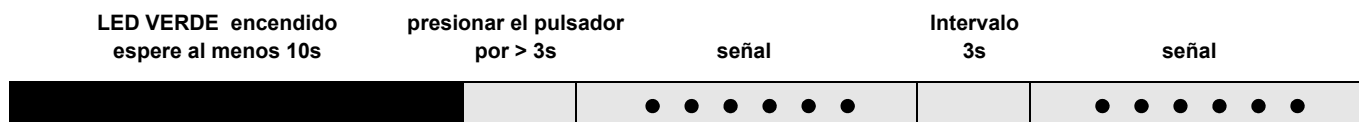
Señal	Anomalía	Causa probable	Solución
2 parpadeos ● ●	Superada la pre-ventilación y el tiempo de seguridad, el quemador se bloquea sin aparecer la llama	1 - La electroválvula de funcionamiento deja pasar poco gas 2 - Una de las dos electroválvulas no se abre. 3 - Presión gas demasiado baja 4 - Electrodo de encendido mal regulado 5 - Electrodo a masa para aislante roto 6 - Cable de alta tensión defectuoso. 7 - Cable de alta tensión deformado por la alta temperatura 8 - Transformador de encendido defectuoso 9 - Conexiones eléctricas válvulas o transformador de encendido incorrectas 10 - Caja de control defectuosa 11 - Una válvula antes de la rampa de gas, cerrada 12 - Aire en las tuberías 13 - Válvulas de gas no conectadas o con bobina interrumpida	Aumentarlo Sustituirlas Aumentarla en el regulador Regularlo; ver fig. (C) pág. 6 Sustituirlo Sustituirlo Sustituirlo y protegerlo Sustituirlo Comprobarlas Sustituirla Abrirla Purgarlo Verificar las conexiones o sustituir bobina
3 parpadeos ● ● ●	El quemador no arranca y aparece el bloqueo El quemador arranca y luego se bloquea Bloqueo durante la pre-ventilación	14 - Presostato aire en posición de funcionamiento - El presostato aire no conmuta por presión aire insuficiente: 15 - Presostato de aire mal regulado 16 - Tubo toma presión del presostato obstruido 17 - Cabezal mal regulado 18 - Alta depresión en el hogar 19 - Contactor mando motor defectuoso. (sólo versión trifásica) 20 - Motor eléctrico defectuoso. 21 - Bloqueo motor (sólo versión trifásica)	Regularlo o sustituirlo Regularlo o sustituirlo Limpiarlo Regularlo Conectar presostato aire a la aspiración ventilador Sustituirlo Sustituirlo Sustituirlo
4 parpadeos ● ● ● ●	El quemador arranca y luego se bloquea Bloqueo al pararse del quemador	22 - Simulación de llama. 23 - Hay llama en el cabezal de combustión o simulación de llama	Sustituir la caja de control Eliminar permanencia de llama o sustituir caja de control
6 parpadeos ● ● ● ● ● ●	El quemador arranca y luego se bloquea	24 - Servomotor defectuoso o mal regulado.	Regularlo o sustituirlo
7 parpadeos ● ● ● ● ● ● ●	El quemador se bloquea al aparecer la llama Bloqueo del quemador en el paso entre potencia mínima y máxima y viceversa En funcionamiento, el quemador se bloquea	25 - La electroválvula de funcionamiento deja pasar poco gas 26 - Sonda de ionización mal regulada. 27 - Ionización insuficiente (inferior a 5 A) 28 - Sonda a masa 29 - Insuficiente puesta a tierra del quemador 30 - Fase y neutro invertidos. 31 - Avería del circuito de detección llama 32 - Demasiado aire o poco gas. 33 - Sonda o cable ionización a masa	Aumentarlo Regularla, ver fig. (C) pág. 6 Controlar posición sonda Separarla o sustituir cable Revisar la puesta a tierra Invertir Sustituir la caja de control Regular el aire y el gas Sustituir la(s) pieza(s) deteriorada(s)
10 parpadeos ● ● ● ● ● ● ● ● ● ●	El quemador no arranca y aparece el bloqueo El quemador se bloquea	34 - Conexiones eléctricas incorrectas. 35 - Caja de control defectuosa 36 - Presencia de perturbaciones electromagnéticas en las líneas de termostatos. 37 - Presencia de perturbaciones electromagnéticas.	Comprobarlas Sustituirla Filtrarlas o eliminarlas Utilizar el kit protección contra las interferencias radio
Ningún parpadeo	El quemador no arranca El quemador repite el ciclo de arranque sin bloquearse Encendidos con pulsaciones El quemador no pasa a la 2ª llama El quemador se detiene con el registro de aire abierto	38 - Falta tensión eléctrica 39 - Un telemando de límite o de seguridad abierto 40 - Fusible de línea fundido. 41 - Caja de control defectuosa 42 - Falta de gas. 43 - Presión gas en red insuficiente 44 - El presostato gas de mínima no cierra 45 - La presión del gas en red es cercana al valor con el cual se ha regulado el presostato gas de mín. La disminución repentina de presión que sigue a la apertura de la válvula, provoca la apertura temporal del presostato, inmediatamente la válvula se cierra y se detiene el quemador. La presión vuelve a aumentar, el presostato se cierra y hace que se repita el ciclo de arranque. Y así sucesivamente. 46 - Cabezal mal regulado 47 - Electrodo de encendido mal regulado 48 - Registro ventilador mal regulado, demasiado aire. 49 - Potencia de encendido demasiado elevada 50 - Telemando TR no cierra. 51 - Caja de control defectuosa 52 - Servomotor defectuoso 53 - Servomotor defectuoso	Cerrar interruptores; comprobar conexiones Regularlo o sustituirlo Sustituirlo Sustituirla Abrir válvulas manuales entre contador y rampa Contacte con la COMPAÑÍA DE GAS Regularlo o sustituirlo Reducir la presión de intervención del presostato gas de mínima. Sustituir el cartucho del filtro gas. Regular. Ver pág. 7 Regularlo; ver fig. (C) pág. 6 Regularlo Reducirla Regularlo o sustituirlo Sustituirla Sustituirlo Sustituirlo

FUNCIONAMIENTO NORMAL / TIEMPO DE DETECCIÓN LLAMA

La caja de control tiene una función ulterior mediante la que es posible asegurarse del correcto funcionamiento del quemador (señal: **LED VERDE** permanentemente encendido).

Para utilizar tal función, hay que esperar al menos 10 segundos desde el instante de encendido del quemador y presionar el pulsador de la caja de control durante un tiempo mínimo de 3 segundos.

Después de haber soltado el pulsador, el LED VERDE comenzará a parpadear, como ilustra la siguiente imagen.



Los parpadeos del LED aparecen con intervalos de aproximadamente 3 segundos.

El número de parpadeos determinará el TIEMPO DE DETECCIÓN de la sonda desde la apertura de las válvulas gas, según la siguiente tabla.

SEÑAL	TIEMPO DE DETECCIÓN LLAMA
1 parpadeo ●	0.4 s
2 parpadeos ● ●	0.8 s
6 parpadeos ● ● ● ● ● ●	2.8 s

A cada arranque del quemador, se actualiza este dato.

Una vez realizada la lectura, apretando brevemente el pulsador de la caja de control, el quemador repite el ciclo de arranque.

ATENCIÓN

Si resulta un tiempo > 2 s se tiene el encendido retrasado. Controle la regulación del freno hidráulico en la válvula gas y la regulación registro de aire y cabezal de combustión.

KIT INTERFACE ADAPTER RMG TO PC Código 3002719

ACCESORIOS (suministro bajo demanda):

• KIT PROTECCIÓN CONTRA LAS INTERFERENCIAS RADIO

En caso de instalar el quemador en ambientes especiales expuestos a interferencias radio (emisión de señales de más de 10 V/m) debido a la presencia de INVERTER o en aplicaciones donde las conexiones del termostato superan los 20 metros de longitud, se encuentra disponible un kit de protección como interfaz entre la caja de control y el quemador.

QUEMADOR	RS 70 - RS 100 - RS 130
Código	3010386

• KIT CABEZAL LARGO

QUEMADOR	RS 70	RS 100	RS 130
Código	3010117	3010118	3010119

• KIT PARA FUNCIONAMIENTO CON GLP: El kit permite que los quemadores RS 70 - 100 - 130 funcionen con GLP.

QUEMADOR	RS 70		RS 100		RS 130	
Potencia kW	242 ÷ 814		349 ÷ 1163		466 ÷ 1512	
Longitud tubo llama mm	250	385	250	385	280	415
Código	3010097	3010098	3010099	3010100	3010101	3010102

• KIT REDUCCIÓN VIBRACIONES

QUEMADOR	RS 70		RS 100		RS 130	
Potencia kW	192 ÷ 814		232 ÷ 1163		185 ÷ 1461	
Longitud tubo llama mm	250	385	250	385	280	415
Código	3010201		3010202		3010373	3010374

• KIT INTERFACE ADAPTER RMG TO PC: código 3002719

• RAMPA DE GAS SEGÚN NORMA EN 676 (completa, con válvulas, regulador de presión y filtro): ver página 8.

Importante: El instalador es responsable de la eventual incorporación de dispositivos de seguridad no previstos en este manual.

P ÍNDICE

Dados técnicos	página 2
Dados elétricos	2
Versões Construtivas	2
Descrição do queimador	3
Embalagem - Peso	3
Dimensões	3
Forma de fornecimento	3
Campos de trabalho	4
Caldeira de ensaio	4
Caldeiras comerciais	4
Pressão do gás	5
INSTALAÇÃO	6
Placa da caldeira	6
Comprimento do tubo de fogo	6
Fixação do queimador à caldeira	6
Regulação do cabeçal de combustão	7
Linha de alimentação gás	8
Instalação eléctrica	9
Regulação prévia ao acendimento	12
Servomotor	12
Arranque do queimador	12
Acendimento do queimador	12
Regulação do queimador:	13
1 - Potência de acendimento	13
2 - Potência na 2ª chama	13
3 - Potência na 1ª chama	14
4 - Potências intermédias	14
5 - Pressostato de ar	15
6 - Pressostato gás de mínima	15
Controlo de presença de chama	15
Funcionamento do queimador	16
Controlo final	17
Manutenção	17
Teste de segurança - com fornecimento de gás fechado	18
Diagnóstico programa de arranque	19
Desbloqueio do equipamento e utilização do diagnóstico	19
Anomalia - Causa Provável - Solução	20
Funcionamento normal / tempo de observação da chama	21
Acessórios	21

Nota

As figuras mencionadas no texto identificam-se da seguinte forma:

- 1)(A) = Pormenor 1 da figura A, na mesma página que o texto;
- 1)(A)p.3 = Pormenor 1 da figura A, página N° 3.

DADOS TÉCNICOS

MODELO			RS 70	RS 100	RS 130			
TIPO			821 T1	822 T1	823 T1			
POTÊNCIA (1)	2ª chama	kW	465 - 814	698 - 1163	930 - 1512			
		Mcal/h	400 - 700	600 - 1000	800 - 1300			
	min. 1ª chama	kW	192	232	372			
		Mcal/h	165	200	320			
COMBUSTÍVEL			GAS NATURAL: G20 - G21 - G22 - G23 - G25					
			G20	G25	G20	G25	G20	G25
- Pressão a máximo caudal (2)		mbar	10,3	15,2	9,3	13,7	8,6	12,7
FUNCIONAMENTO			<ul style="list-style-type: none"> Intermitente (mín. 1 paragem em 24 horas). 2 chamas (2ª y 1ª) ou 1 chama (tudo - nada) 					
UTILIZAÇÃO			Caldeiras: de água, a vapor e óleo térmico					
TEMPERATURA AMBIENTE		°C	0 - 40					
TEMPERATURA AR COMBURENTE		°C max	60					
GRAU DE PROTECÇÃO			IP 44					
CONFORMIDADE COM DIRECTIVAS			2009/142 - 2006/42 - 2014/35 - 2014/30					
NÍVEL SONORO(3)	PRESSÃO SONORA	dB(A)	75	77	78,5			
	POTÊNCIA SONORA		86	88	89,5			
HOMOLOGAÇÃO		CE	0085AP0944	0085AP0945	0085AP0946			

(1) Condições de referência: Temperatura ambiente 20°C - Pressão barométrica 1000 mbar - Altitude acima do nível do mar 100 metros.

(2) Pressão na tomada 16)(A)p.3 com pressão zero na câmara de combustão, com o disco do gás 2)(B)p.7 aberto e à potência máxima do queimador.

(3) Pressão acústica medida em laboratório de combustão da empresa fabricante, com o queimador funcionando em caldeira de ensaio à máxima potência. A potência acústica é medida com o método "Free Field", previsto pela Norma EN 15036, e segundo uma precisão de medida "Accuracy: Category 3", como descrito pela Norma EN ISO 3746.

DADOS ELÉTRICOS

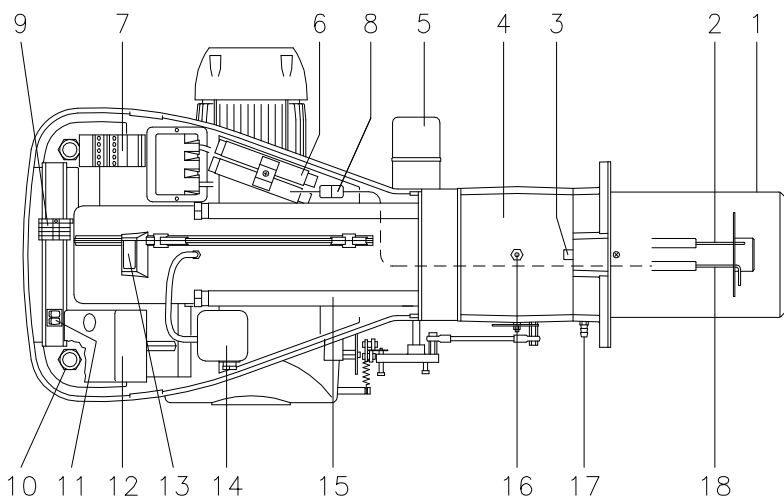
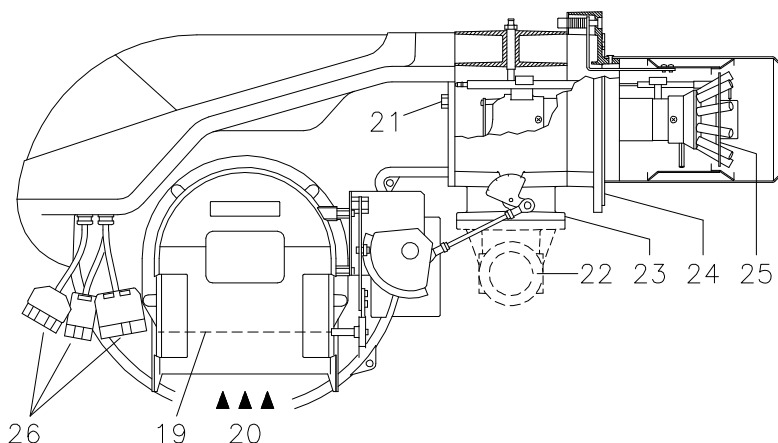
MODELO		RS 70	RS 100	RS 130
ALIMENTAÇÃO ELÉCTRICA	V Hz	230 - 400 com neutro ~ +/-10% 50 - trifásica		
MOTOR ELÉCTRICO IE3	rpm	2860	2850	2860
	kW	1,1	1,8	2,2
	V	230/400	230/400	230/400
	A	4,1/2,4	6,1/3,5	7,9/4,6
TRANSFORMADOR DE ACENDIMENTO	V1 - V2 I1 - I2	230 V - 2 x 5 kV 1,9 A - 30 mA		
POTÊNCIA ELÉCTRICA ABSORVIDA	kW max	1,9	2,6	3,1

VERSÕES CONSTRUTIVAS

Modelo	Alimentação eléctrica	Comprimento do tubo de fogo mm
RS 70	trifásico	250
	trifásico	385
RS 100	trifásico	250
	trifásico	385
RS 130	trifásico	280
	trifásico	415

CATEGORÍA GAS

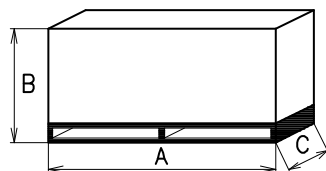
PAÍS	CATEGORÍA
IT - AT - GR - DK - FI - SE	I12H3B / P
ES - GB - IE - PT	I12H3P
NL	I _{2L} - I _{2E} - I ₂ (43,46 ÷ 45,3 MJ/m ³ (0°C))
FR	I12Er3P
DE	I12ELL3B / P
BE	I2E(R)B, I3P
LU - PL	I12E 3B/P



D3139

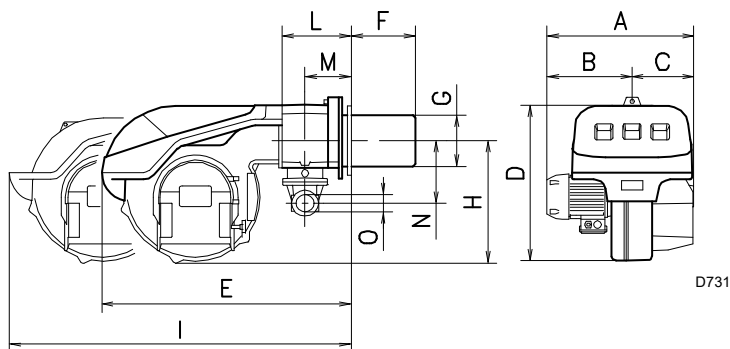
(A)

mm	A	B	C	kg
RS 70	1300	740	682	70
RS 100	1300	740	682	73
RS 130	1300	740	682	76



D36

(B)



D731

mm	A	B	C	D	E	F ₍₁₎	G	H	I ₍₁₎	L	M	N	O
RS 70	511	296	215	555	840	250 - 385	179	430	1161-1296	214	134	221	2"
RS 100	527	312	215	555	840	250 - 385	179	430	1161-1296	214	134	221	2"
RS 130	553	338	215	555	840	280 - 415	189	430	1161-1296	214	134	221	2"

(1) Tubo de fogo: curto-longo

(C)

DESCRIÇÃO DO QUEIMADOR (A)

- 1 Cabeçal de combustão
- 2 Eléctrodo de acendimento
- 3 Parafuso de regulação do cabeçal de combustão
- 4 Manguito de união do grupo ventilador ao cabeçal de combustão
- 5 Servomotor, para o controlo da válvula borboleta do gás e, através de uma came de perfil variável, o registo do ar.
Quando o queimador está parado, o registo do ar está completamente fechado de forma a reduzir ao mínimo a dispersão térmica da caldeira devido ao tipo de conduta de fumos que toma o ar da boca de aspiração do ventilador.
- 6 Prolongadores guias
- 7 Contactor motor e relé térmico com botão de rearme
- 8 Ficha do cabo da sonda de ionização
- 9 Régua de ligações
- 10 Passacabos para as ligações eléctricas a cargo do instalador
- 11 Dois interruptores:
- um "paragem-arranque"
- um para "1ª chama - 2ª chama"
- 12 Caixa de controlo com piloto luminoso de bloqueio e botão de desbloqueio
- 13 Visor chama
- 14 Pressostato de ar (tipo diferencial)
- 15 Guias para abertura do queimador e inspecção do cabeçal de combustão
- 16 Tomada de pressão do gás e parafuso de fixação do cabeçal
- 17 Tomada de pressão do ar
- 18 Sonda de ionização
- 19 Registo de ar
- 20 Entrada de ar do ventilador
- 21 Parafuso de fixação do ventilador ao suporte do queimador
- 22 Conduta de entrada de gás
- 23 Válvula borboleta gás
- 24 Flange para fixação à caldeira
- 25 Disco estabilizador da chama
- 26 Tomadas para a ligação eléctrica

Existem duas possibilidades de bloqueio do queimador:

• BLOQUEIO DA CAIXA DE CONTROLO:

Ao ficar aceso (**Led vermelho**) o botão da caixa 12)(A) indica que o queimador está bloqueado.

Para desbloquear, premir o botão por um período de tempo compreendido entre 1 e 3 segundos.

• BLOQUEIO MOTOR:

Para desbloquear, premir o botão do relé térmico 7)(A).

EMBALAGEM - PESO (B) - medidas aproximadas

- A embalagem do queimador apoia-se num suporte de madeira adaptado para um empilhador. As dimensões exteriores da embalagem indicam-se na tabela (B).

- O peso do queimador completo com a embalagem é indicado na tabela (B).

DIMENSÕES MÁXIMAS (C) - medidas aproximadas

As dimensões máximas do queimador são indicadas em (C).

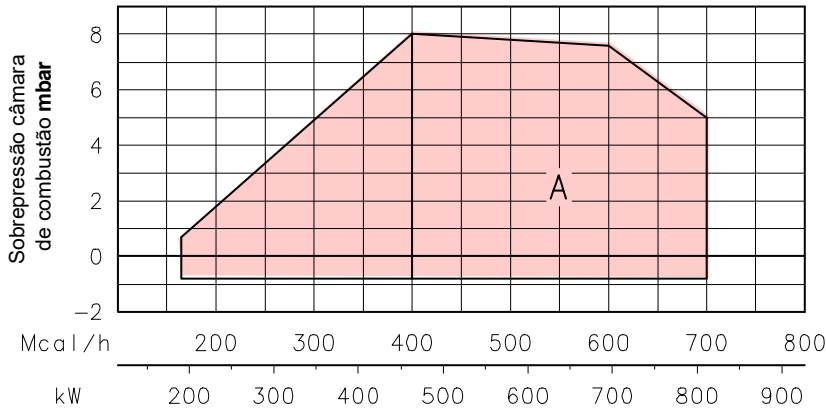
Ter em conta que para inspecionar o cabeçal de combustão, o queimador deve ser aberto deslocando a parte posterior pelas guias.

O comprimento máximo do queimador aberto, sem envolvente, está indicado pela cota I.

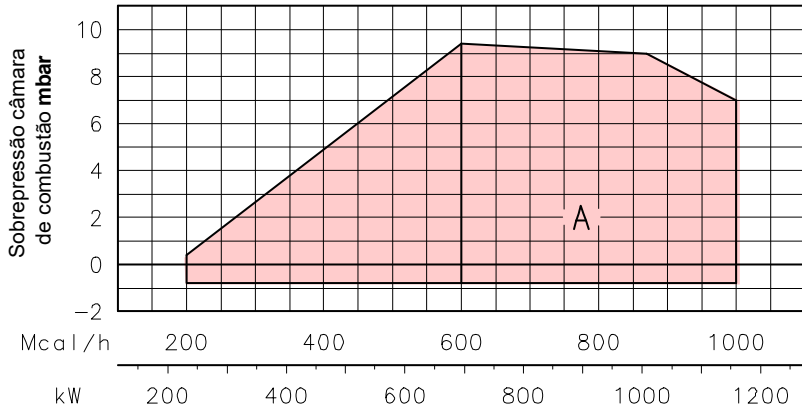
FORMA DE FORNECIMENTO

- 1 - Flange de ligação à linha de gás
- 1 - Junta da flange
- 4 - Parafusos M10 x 35 de fixação da flange
- 1 - Junta isolante
- 2 - Prolongadores 6)(A) para guias 15)(A) (só em modelos com cabeçal de 385 - 415 mm)
- 4 - Parafusos M12 x 35 para fixar a flange do queimador à caldeira
- 3 - Fichas para a ligação eléctrica
- 1 - Instruções
- 1 - Lista de peças de substituição

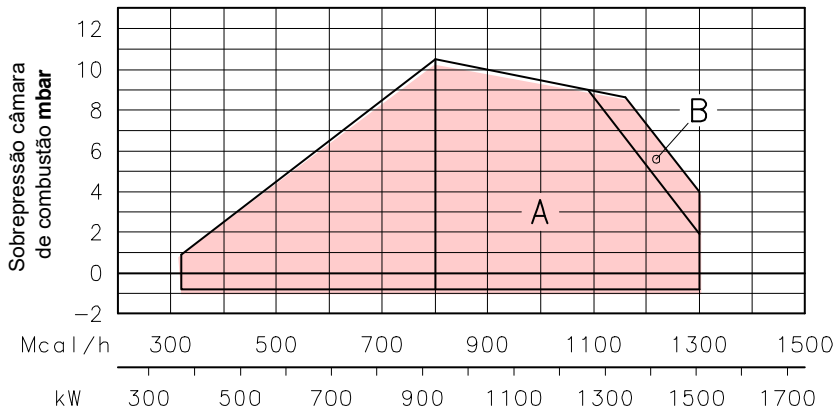
RS 70



RS 100



RS 130



CAMPOS DE TRABALHO (A)

Os queimadores RS 70 - 100 - 130 podem funcionar de duas formas: uma chama ou duas chama.

A **POTÊNCIA MÁXIMA** situa-se na zona A, Para poder utilizar também a zona B (RS 130) é preciso efectuar a pré-taragem do cabeçal de combustão conforme explicado na página 6.

A **POTÊNCIA MÍNIMA** não deve ser inferior ao limite mínimo do gráfico:

RS 70 = 192 kW

RS 100 = 232 kW

RS 130 = 372 kW



Atenção

O CAMPO DE TRABALHO foi calculado considerando uma temperatura ambiente de 20°C, uma pressão barométrica de 1000 mbar (aprox. 100 metros acima do nível do mar) e com o cabeçal de combustão regulado conforme se indica na página 7.

CALDEIRA DE ENSAIO (B)

Os gráficos foram obtidos com caldeiras de ensaio especiais, conforme a norma EN 676.

Na figura (B) é indicado o diâmetro e o comprimento da câmara de combustão da caldeira de ensaio.

Exemplo

Potência 756 kW:

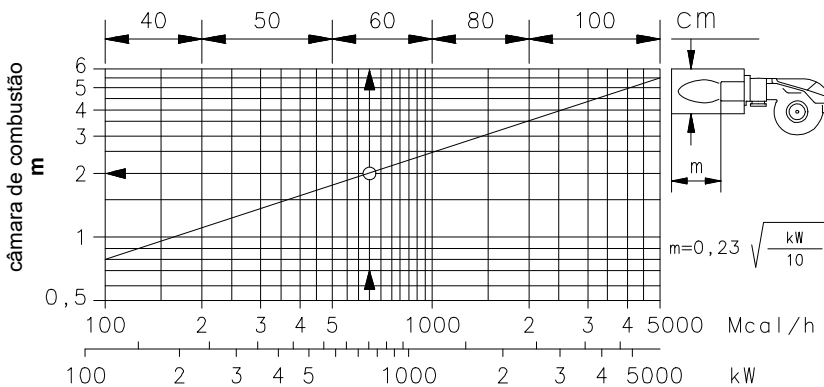
diâmetro 60 cm - comprimento 2 m.

CALDEIRAS COMERCIAIS

Não existe problema algum no acoplamento queimador-caldeira se esta tiver homologação CE e se as dimensões da câmara de combustão se aproximam das indicadas no gráfico (B). Se, pelo contrário, o queimador for instalado numa caldeira comercial não homologada CE ou com as dimensões da câmara de combustão muito mais pequenas que as indicadas no gráfico (B), deve-se consultar o fabricante.

(A)

D950

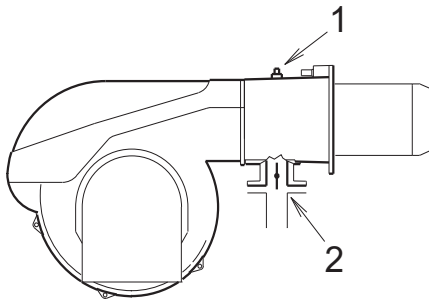


(B)

D715

	kW	1 Δp (mbar)		2 Δp (mbar)	
		G 20	G 25	G 20	G 25
RS 70	470	4,2	6,3	0,4	0,6
	550	5,3	7,9	0,6	0,9
	650	6,7	10,0	0,8	1,2
	850	10,8	16,1	1,3	2,0
	930	12,9	19,2	1,6	2,4
RS 100	700	3,1	4,6	0,7	1,1
	800	4,3	6,4	0,9	1,4
	1000	6,8	10,1	1,3	2,0
	1200	9,1	13,6	1,9	2,8
	1340	11,4	17,0	2,4	3,6
RS 130	930	4,6	6,9	0,2	0,3
	1090	5,8	8,7	0,6	0,8
	1250	7,0	10,4	1,2	1,8
	1410	8,3	12,4	1,5	2,2
	1512	9,1	13,6	1,5	2,2

(A)



(B)

S8883

PRESSÃO DO GÁS

As tabelas existentes na margem indicam as perdas de carga mínimas da linha de alimentação de gás em função da potência do queimador na 2ª chama.

Coluna 1

Perda de carga cabeçal de combustão.

Pressão do gás na tomada 1)(B), com:

- Câmara de combustão a 0 mbar
- Queimador funcionando na 2ª chama
- Disco do gás 2)(B)p.7 regulado como é indicado no gráfico (C)p.7.

Coluna 2

Perda de carga registo borboleta gás 2)(B) com abertura máxima: 90°.

Os valores indicados nas tabelas referem-se a:

- gás natural G 20 PCI 9,45 kWh/Sm³ (8,2 Mcal/Sm³)
- gás natural G 25 PCI 8,13 kWh/Sm³ (7,0 Mcal/Sm³)

Para conhecer a potência aproximada à que está a funcionar o queimador na 2ª chama:

- Subtrair à pressão do gás na tomada 1)(B) a sobrepressão da câmara de combustão.
- Procurar na tabela relativa ao queimador considerado, coluna 1, o valor da pressão mais próxima ao resultado obtido na subtração.
- Ler à esquerda a potência correspondente.

Exemplo - RS 130:

- Funcionamento em 2ª chama
- Disco do gás 2)(B)p.7 regulado como é indicado no gráfico (C)p.7
- Pressão do gás na tomada 1)(B) = 9 mbar
- Pressão na câmara de combustão = 2 mbar
9 - 2 = 7 mbar

À pressão de 7 mbar, coluna 1, corresponde na tabela do RS 100 uma potência na 2ª chama de 1250 kW.

Este valor serve como primeira aproximação; o real determinar-se-á através do contador.

Pelo contrário, para conhecer a pressão do gás necessária na tomada 1)(B), uma vez fixada a potência à qual se deseja que o queimador funcione em 2ª chama:

- Procurar a potência mais próxima ao valor desejado, na tabela relativa ao queimador que se considere.
- Ler à direita, coluna 1, a pressão na tomada 1)(B).

Somar a este valor a sobrepressão estimada na câmara de combustão.

Exemplo - RS 130:

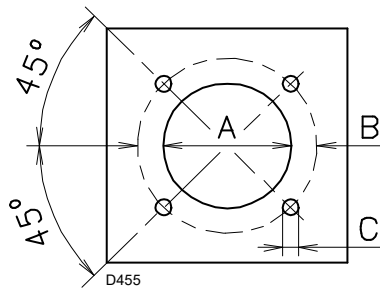
- Potência desejada em 2ª chama: 1250 kW
 - Disco do gás 2)(B)p.7 regulado como é indicado no gráfico (C)p.7
 - Pressão do gás à potência de 1250 kW, na tabela do RS 100, coluna 1 = 7 mbar
 - Pressão na câmara de combustão = 2 mbar
7 + 2 = 9 mbar
- pressão necessária na tomada 1)(B).



ATENÇÃO

Os dados de saída térmica e a pressão de gás superior estão relacionados com a operação a válvula borboleta completamente aberta (90°).

mm	A	B	C
RS 70	185	275 - 325	M 12
RS 100	185	275 - 325	M 12
RS 130	195	275 - 325	M 12



(A)

INSTALAÇÃO

PLACA DA CALDEIRA (A)

Furar a placa de fecho da câmara de combustão tal como é indicado em (A). Pode marcar-se a posição dos orifícios roscados utilizando a junta isolante que é fornecida com o queimador.

COMPRIMENTO DO TUBO DE FOGO (B)

O comprimento do tubo de fogo deve ser seleccionado de acordo com as indicações do fabricante da caldeira e, em qualquer caso, deve ser maior que a espessura da porta da caldeira completa, com o material refractário incluído. Os comprimentos, L (mm), disponíveis são

Tubo chama 12):	RS 70	RS 100	RS 130
• curto	250	250	280
• longo	385	385	415

Para caldeiras com passagens de fumos dianteiras 15) ou com câmara de inversão de chama, colocar uma protecção em material refractário 13) entre o refractário da caldeira 14) e o tubo de fogo 12).

Esta protecção deve permitir o deslocamento do tubo de fogo.

Nas caldeiras com frontal refrigerado por água, não é necessário o revestimento refractário 13)-14)(B), salvo se este for indicado pelo fabricante da caldeira.

FIXAÇÃO DO QUEIMADOR À CALDEIRA (B)

Antes de fixar o queimador à caldeira, verificar (através da abertura do tubo de fogo) se a sonda e o eléctrodo de acendimento estão correctamente posicionados como indica a figura (C).

Seguidamente separar o cabeçal de combustão do resto do queimador, fig. (B):

- Desenroscar os 4 parafusos 3) e retirar a envolvente 1);
- Desprender a articulação 7) do sector graduado 8);
- Desenroscar os parafusos 2) das duas guias 5);
- Desenroscar os 2 parafusos 4) e deslocar o queimador pelas guias 5) cerca de 100 mm;
- Desligar os cabos da sonda e do eléctrodo e seguidamente retirar por completo o queimador das guias.

PRÉ-TARAGEM DO CABEÇAL DE COMBUSTÃO

Para o modelo RS 130 verificar, a este ponto, se o caudal máximo do queimador em 2ª chama está compreendido na zona A ou B do campo de trabalho. Ver página 4.

Se estiver na zona A não é necessário alguma intervenção.

Se pelo contrário, não estiver na zona B:

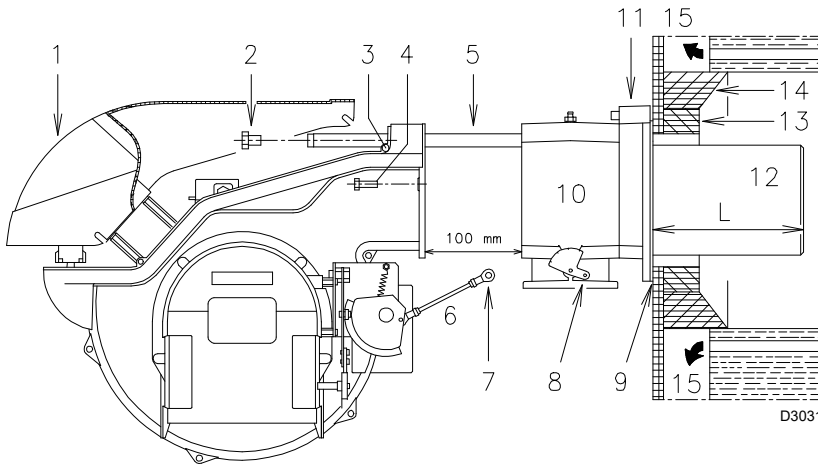
- Desenroscar os parafusos 1) (D) e desmontar o tubo de fogo 2).
- Deslocar a fixação da haste 3)(D) da posição A para a posição B, fazendo desta maneira retrocer o obturador 4).
- Remontar o tubo de fogo 2)(D) e os parafusos 1).

Uma vez efectuada esta eventual operação, fixar a flange 11)(B) à placa da caldeira, intercalando a junta 9)(B) fornecida. Utilizar os 4 parafusos fornecidos, depois de ter protegido a rosca com um produto antibloqueio.

O acoplamento do queimador à caldeira deve ser hermético.

Se na verificação anterior, a posição da sonda ou do eléctrodo não era correcta, desenroscar o parafuso 1)(E), retirar a parte interior 2)(E) do cabeçal e proceder à sua calibragem.

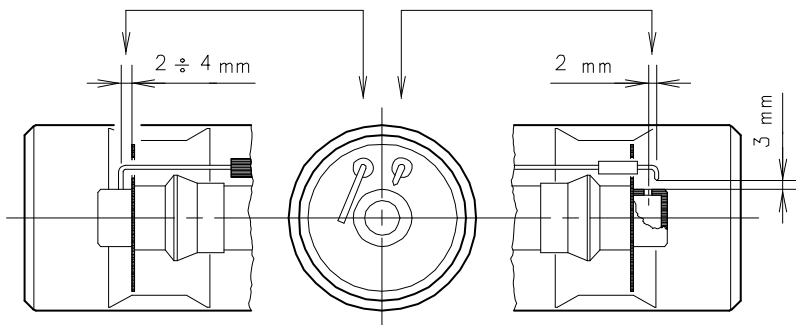
Não rodar a sonda, mas sim, deixá-la conforme o indicado em (C), aproximar demasiado do eléctrodo de acendimento poderá danificar o amplificador da caixa de controlo.



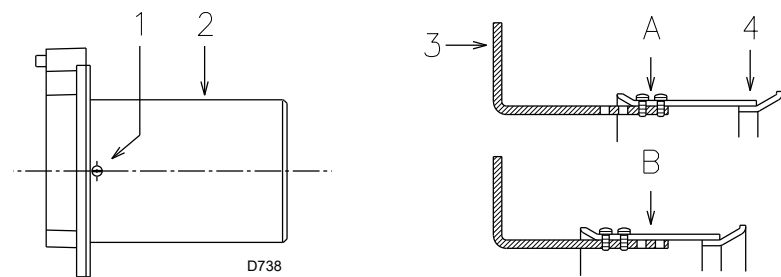
(B)

SONDA

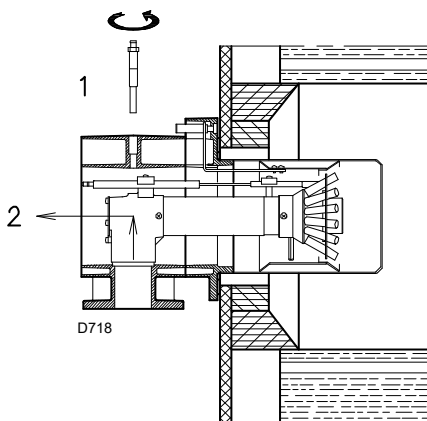
ELÉCTRODO



(C)



(D)



(E)

REGULAÇÃO DO CABEÇAL DE COMBUSTÃO

Neste ponto da instalação, o tubo de fogo e o suporte queimador fixam-se à caldeira como é indicado na Fig. (A). Assim, resulta particularmente fácil fazer a regulação do cabeçal de combustão; esta regulação depende unicamente da potência desenvolvida pelo queimador na 2ª chama.

Portanto, antes de regular o cabeçal de combustão, é preciso fixar este valor.

São previstas duas regulações do cabeçal, a do ar e a do gás.

Procurar no gráfico (C) a posição à qual regular o ar e o gás, da seguinte forma:

Regulação do ar (A)

Rodar o parafuso 4)(A) até que coincida o número de posição calculada com o plano anterior 5)(A) da flange.

Regulação do gás (B)

Aliviar os 3 parafusos 1)(B) e rodar o disco 2) até que coincida o número de posição calculada com o índice 3). Apertar bem os 3 parafusos 1).

Exemplo:

Queimador RS 70

Potência queimador = 581 kW (500 Mcal/h)

No gráfico (C), para esta potência o número de posição de regulação de ar e gás é a 3, tal como está nos desenhos Fig. (A) e Fig. (B).

NOTA

O gráfico (C) indica a regulação óptima do cabeçal. Se a pressão da rede de alimentação de gás é muito baixa e não permite que seja alcançada a pressão indicada na pág. 5 na 2ª chama, e se o disco 2)(B) só está parcialmente aberto, ainda é possível abrir o disco 1 ou 2 posições

Seguindo o exemplo anterior, na pág. 6 pode-se observar que para um queimador RS 70 com uma potência de 581 kW (500 Mcal/h), é necessária uma pressão aproximada de 6 mbar na tomada 6)(A). Se não se dispõe da referida pressão, abrir o disco 2)(B) até à posição 4-5.

Verificar que a combustão é satisfatória e sem pulsações.

Finalizada a regulação do cabeçal, voltar a montar o queimador nas guias 3)(D) a cerca de 100 mm do suporte queimador 4)(D) (queimador na posição indicada na Fig. (B)p.6 - ligar os cabos da sonda e do eléctrodo e seguidamente deslocar o queimador até ao suporte (queimador na posição indicada na Fig. (D)).

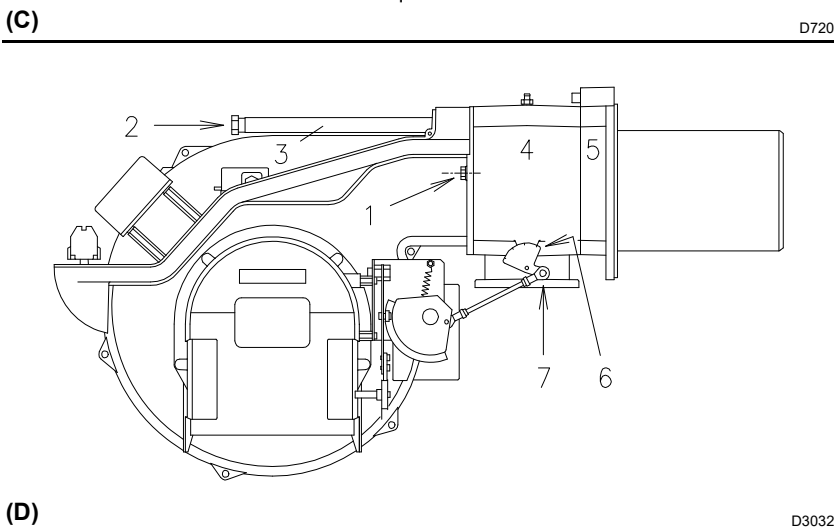
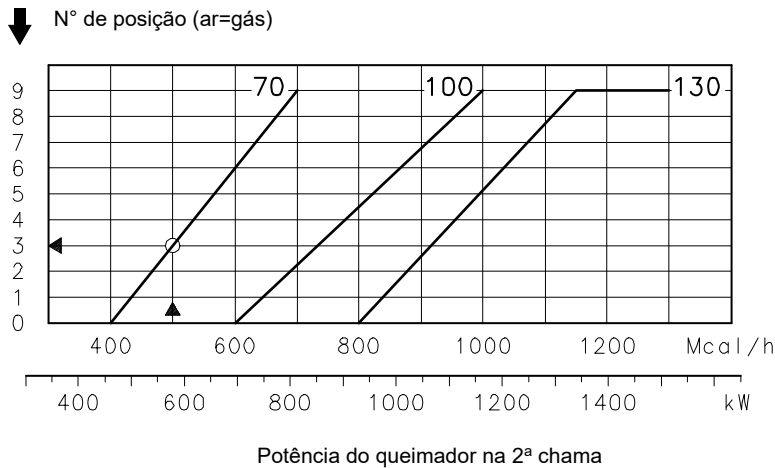
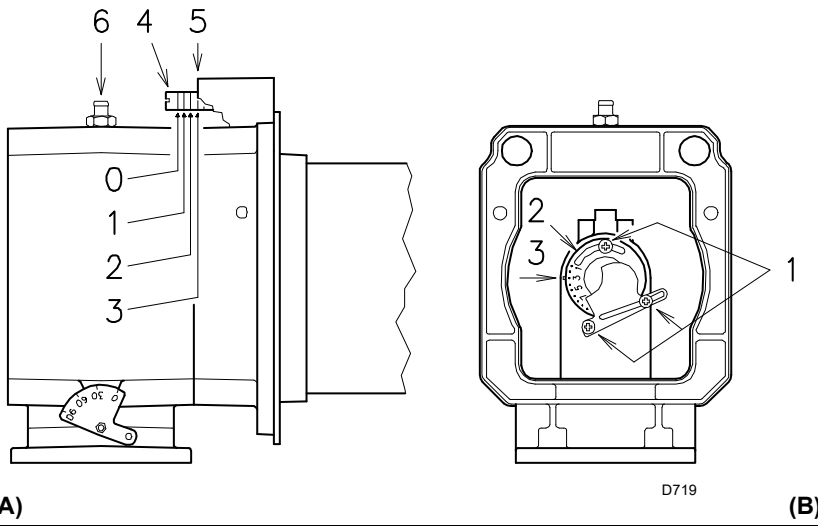
Voltar a colocar os parafusos 2) nas guias 3). Fixar o queimador ao suporte através dos parafusos 1).

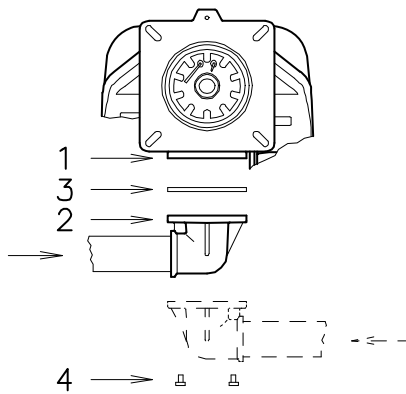
Montar a articulação 7) no sector graduado 6).

Atenção



No momento de fechar o queimador nas guias, é conveniente puxar suavemente para fora o cabo de alta tensão e da sonda de ionização até que estejam ligeiramente esticados.

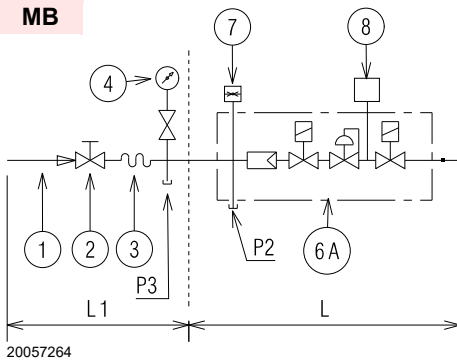




(A)

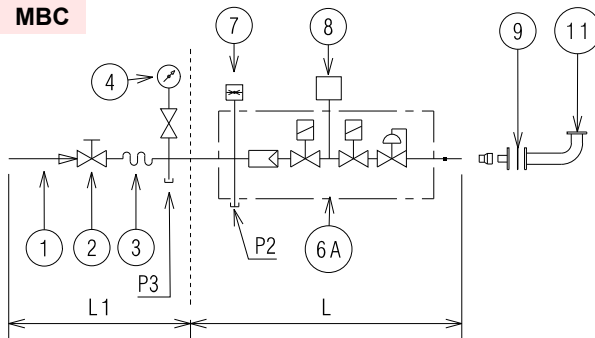
D722

MB



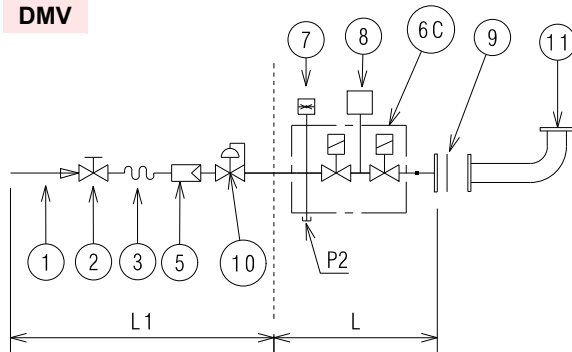
20057264

MBC



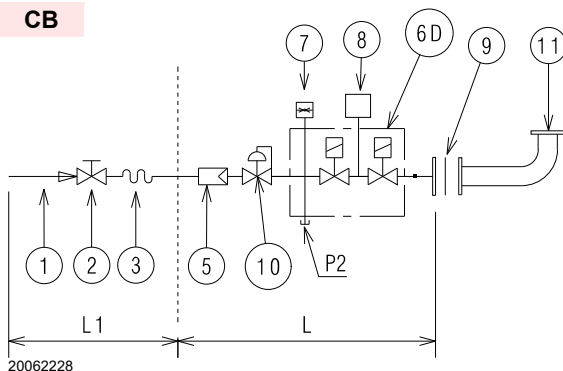
20062223

DMV



20062227

CB



20062228

(B)

LINHA ALIMENTAÇÃO DE GÁS

- A linha de gás está unida à ligação 1)(A), através da flange 2), a junta 3) e os parafusos 4), fornecidos com o queimador.
- A linha pode chegar pela direita ou pela esquerda, conforme convenha. Ver Fig. (A).
- As electroválvulas 8)-9)(B) de gás devem estar o mais perto possível do queimador, para assegurar a chegada do gás ao cabeçal de combustão no tempo de segurança de 3 segundos.
- Certificar-se de que o campo de taragem do regulador de pressão (cor da mola) abarca a pressão de gás de que necessita o queimador.

LINHA DE GÁS (B)

A linha de gás é homologada de acordo com a norma EN 676 e é fornecida separadamente ao queimador.

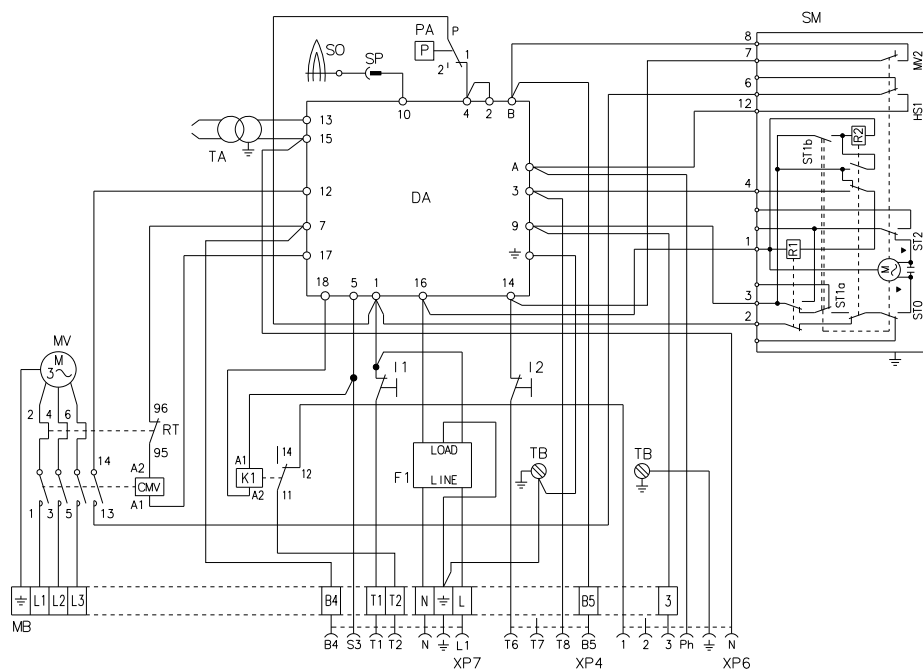
Para a selecção do modelo correcto da linha de gás, consultar o manual "Acoplamento queimador-linha de gás" fornecido.

LEGENDA (B)

- 1 Condução de entrada do gás
- 2 Válvula manual
- 3 Junta antivibração
- 4 Manómetro com válvula de botão
- 5 Filtro
- 6A Compreende:
 - filtro
 - válvula de segurança
 - regulador de pressão
 - válvula de funcionamento
- 6C Compreende:
 - válvula de segurança
 - válvula de funcionamento
- 6D Compreende:
 - válvula de segurança
 - válvula de funcionamento
- 7 Pressóstato gás de mínima
- 8 Controlo de vedação, fornecido como acessório ou integrado, em função do código da linha de gás. Conforme a norma EN 676, o controlo de estanquidade é obrigatório para queimadores com potência máxima superior a 1200 kW.
- 9 Junta, apenas para as versões "com flanges"
- 10 Regulador de pressão
- 11 Adaptador linha de gás-queimador, fornecido a parte
- P2 Pressão montante válvulas/regulador
- P3 Pressão antes do filtro
- L Linha de gás, fornecida a parte
- L1 A cargo do instalador

Nota

Para a regulação da linha de gás, ver as instruções que acompanham a mesma.



(A)

20126560

ESQUEMA (A)

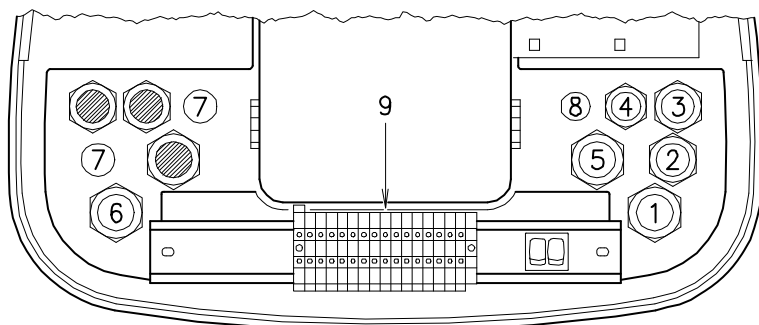
- Os modelos RS 70 - RS 100 - RS 130, saem de fábrica previstos para uma corrente eléctrica a 400 V.
- Se a alimentação for de 230 V, alterar a ligação do motor (de estrela a triângulo) e a regulação do relé térmico.

Legenda schema (A)

- | | |
|---------|--------------------------------------|
| CMV | - Contactor motor |
| DA | - Caixa de controlo (Landis RMG) |
| F1 | - Filtro contra radio-interferências |
| K1 | - Relé |
| I1 | - Interruptor arranque - paragem |
| I2 | - Interruptor 1ª - 2ª chama |
| MMI 813 | - Caixa de controlo |
| MB | - Régua queimador |
| MV | - Motor ventilador |
| PA | - Pressostato ar |
| RT | - Relé térmico |
| SM | - Servomotor |
| SO | - Sonda de ionização |
| SP | - Ficha-Tomada |
| TA | - Transformador de acendimento |
| TB | - Ligação à terra do queimador |
| XP4 | - Tomada de 4 pólos |
| XP6 | - Tomada de 6 pólos |
| XP7 | - Tomada de 7 pólos |

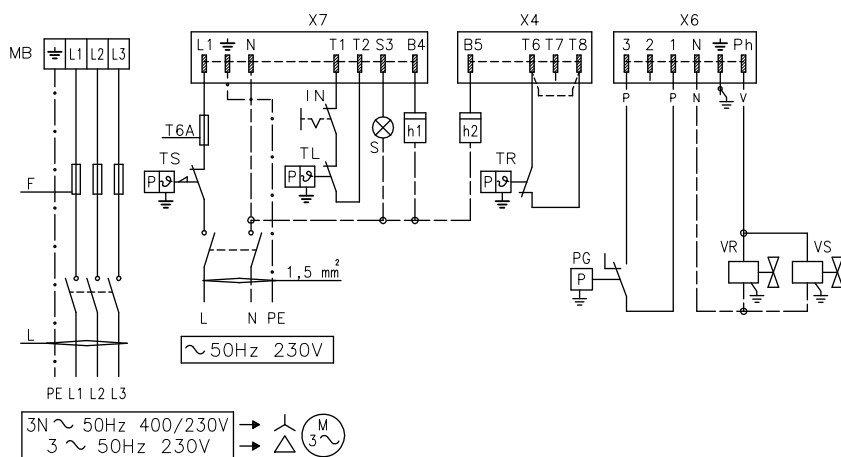
ATENÇÃO

Em caso de alimentação fase/fase, é necessário efectuar uma ponte na régua do equipamento entre o terminal 6 e o terminal de terra.



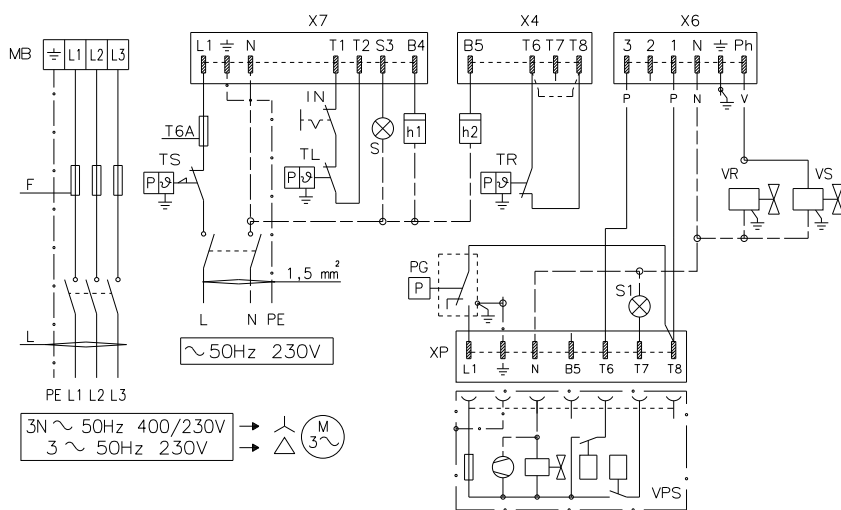
(A) D955

RS 70 - RS 100 - RS 130 sem controlo de estanqueidade das válvulas de gás



(B) D3141

RS 70 - RS 100 - RS 130 sem controlo de estanqueidade das válvulas de gás VPS



(C) D3142

		RS 70		RS 100		RS 130	
		230 V	400 V	230 V	400 V	230 V	400 V
F	A	T10	T6	T16	T10	T16	T10
L	mm ²	1,5	1,5	1,5	1,5	1,5	1,5

(D)

LIGAÇÃO ELÉCTRICA

Utilizar cabos flexíveis conforme a norma EN 60 335-1:

- se revestidos de PVC, utilizar pelo menos H05 VV-F
- se revestidos de borracha, utilizar pelo menos H05 RR-F.

Todos os cabos que estão ligados à régua de ligações 7)(A) do queimador, devem ser instalados através dos passacabos.

Os passacabos e os orifícios marcados podem ser utilizados de várias formas; como exemplo, indicamos a seguinte forma:

- 1- Pg 13,5 Alimentação trifásica
- 2- Pg 11 Tomada XP6 - válvulas de gás
- 3- Pg 11 Tomada XP7 - termostato TL e alimentação monofásica
- 4- Pg 9 Tomada XP4 - termostato TR
- 5- Pg 13,5 Não se utiliza
- 6- Pg 13,5 Pressostato de gás ou dispositivo de controlo de estanqueidade das válvulas de gás
- 7- Pg 11 Perfurar, caso se pretenda utilizar
- 8- Pg 9 Perfurar, caso se pretenda utilizar

ESQUEMA (B)

Ligação eléctrica do queimador RS 70 - RS 100 - RS 130 sem controlo de estanqueidade das válvulas de gás

ESQUEMA (C)

Ligação eléctrica do queimador RS 70 - RS 100 - RS 130 com controlo de estanqueidade das válvulas de gás VPS

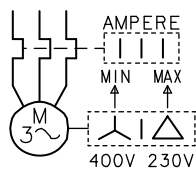
O controlo de estanqueidade das válvulas de gás faz-se justamente antes de cada arranque do queimador.

Fusíveis e secção dos cabos dos esquemas (B - C), ver tabela (D).

Secção cabos não indicada é de 1,5 mm²

LEGENDA ESQUEMAS (B) - (C)

- h1 - Contador de horas na 1ª chama
- h2 - Contador de horas na 2ª chama
- IN - Interruptor de paragem manual do queimador
- X4 - Ficha de 4 pólos
- X6 - Ficha de 6 pólos
- X7 - Ficha de 7 pólos
- XP - Ficha de controlo de estanqueidade
- MB - Régua queimador
- PG - Pressostato gás de mínima
- S - Sinalização de bloqueio à distância
- S1 - Sinalização bloqueio controlo estanqueidade à distância
- TR - Termostato de regulação: comanda a 1ª e 2ª chammas de funcionamento. Se desejar que o queimador tenha só a 1ª chama de funcionamento, substituir TR com uma ponte.
- TL - Termostato de regulação máxima: provoca a paragem do queimador quando a temperatura ou a pressão na caldeira atinge o valor pré-estabelecido.
- TS - Termostato de segurança: actua em caso de avaria do termostato TL.
- VR - Electroválvula de regulação
- VS - Electroválvula de segurança



(A)

D867

ESQUEMA (A)**Regulação do relé térmico 7)(A)p. 3**

Serve para evitar que o motor se queime por um forte aumento do consumo devido à ausência de uma fase.

- Se motor é alimentado em estrela, **400 V**, o cursor deve situar-se em "MÍN".
- Se motor é alimentado a triângulo, **230 V**, o cursor deve situar-se em "MÁX".

Se a escala do relé térmico não compreende o consumo nominal do motor a 400 V, a protecção está igualmente assegurada.

NOTE

• Os queimadores RS 70 - RS 100 - RS 130 saem de fábrica preparados para uma corrente eléctrica a **400 V**. Se a corrente for a **230 V**, mudar a ligação do motor (de estrela a triângulo) e a regulação do relé térmico.

• Os queimadores RS 70 - RS 100 - RS 130 foram homologados para funcionar de modo intermitente. Isto significa que devem parar "por Norma" pelo menos uma vez cada 24 horas para permitir que a caixa de controlo faça uma verificação da eficácia ao arranque. Normalmente, a paragem do queimador está assegurada pelo termostato da caldeira.

Se assim não for, deverá colocar em série com o interruptor IN, um interruptor horário que pare o queimador pelo menos uma vez cada 24 horas.

• Os queimadores RS 70 - RS 100 - RS 130 saem da fábrica preparados para funcionar com 1a e 2a chamadas e portanto deve ser ligado ao termostato TR.

Se si deseja que estes queimadores tenham um funcionamento de um escalão (tudo-nada), colocar um shunt entre os bornes 6 e 7, em substituição do termostato TR.

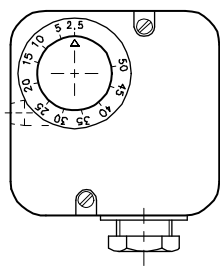
Atenção:

Não inverter o Neutro com a Fase na linha de alimentação eléctrica.

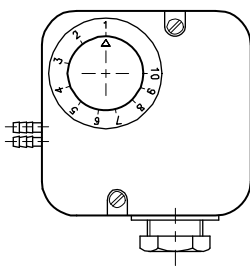
A eventual inversão poderia determinar uma paragem em bloqueio por falta de acendimento.

PRESSOSTATO GÁS DE MÍN.

PRESSOSTATO AR

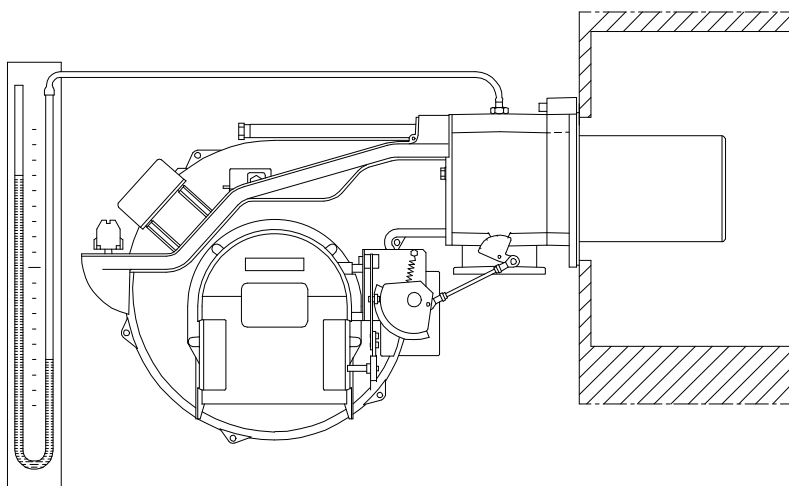


(A)



(B)

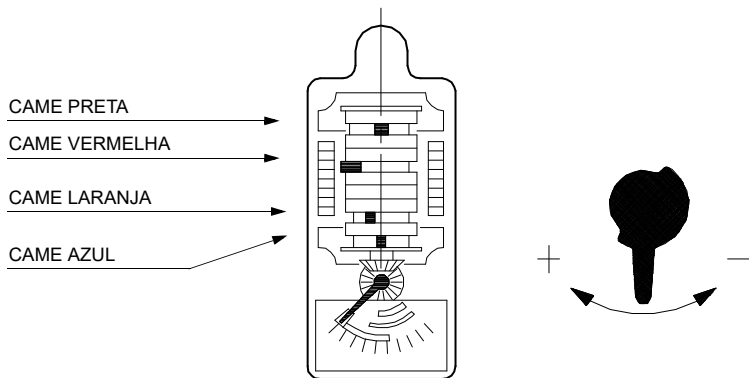
D897



(C)

D3033

SERVOMOTOR



(D)

D728

REGULAÇÃO ANTES DO PRIMEIRO ACENDIMENTO

A regulação do cabeçal de combustão, ar e gás, já foi descrita na pág. 7.

Efectuar, ainda, as seguintes regulações:

- Abrir as válvulas manuais localizadas antes da linha de gás.
- Regular o pressostato gás de mínima ao início da escala (A).
- Regular o pressostato ar ao início da escala (B).
- Purgar o ar da linha de gás.
- É aconselhável evacuar o ar purgado ao exterior do edifício (através de um tubo de plástico) até notar o odor característico do gás.
- Instalar um manómetro de tubo em "U" (C) na tomada de pressão do suporte queimador. Serve para calcular, aproximadamente, a potência do queimador em 2ª chama através das tabelas da pág. 5.
- Ligar em paralelo às duas electroválvulas de gás VR e VS, duas lâmpadas ou um tester para controlar o momento da chegada de corrente.

Esta operação não é necessária se cada uma das electroválvulas estiver equipada com uma luz piloto que assinala a presença de corrente eléctrica.

Antes de colocar em funcionamento o queimador, é conveniente regular a linha de gás de forma que o acendimento se faça em condições de máxima segurança, isto é, com um pequeno caudal de gás.

SERVOMOTOR (D)

O servomotor regula em simultâneo o registo do ar pela came de perfil variável e a válvula borboleta do gás.

O ângulo de rotação do servomotor é igual ao ângulo do sector graduado da válvula borboleta do gás. O servomotor roda 90° em 15 segundos.

Não modificar a regulação feita de fábrica das 4 cames com que está dotado; verificar simplesmente que as cames estão reguladas da seguinte forma:

Came vermelha : 90°

Limita a rotação máxima. Com o queimador funcionando em 2ª chama, a válvula de borboleta do gás deve estar completamente aberta: 90°.

Came azul : 0°

Limita a rotação mínima.

Com o queimador parado, o registo de ar e a válvula borboleta do gás devem estar fechados: 0°.

Came laranja : 15°

Regula a posição de acendimento e da potência em 1ª chama.

Came preta : 85°

Fornece tensão ao terminal B5.

Uma etiqueta graduada com os 4 sectores coloridos indica a came que intervém.

ARRANQUE DO QUEIMADOR

Fechar os termostatos e premir:

- o interruptor 1)(E) para a posição "Queimador em funcionamento";
- o interruptor 2)(E) para a posição "1ª chama".

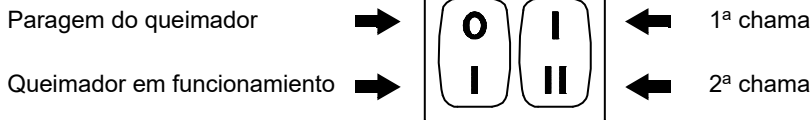
Assim que o queimador entre em funcionamento, controlar o sentido de giro da turbina do ventilador através do visor de chama 13)(A)p.3. Verificar que as lâmpadas ou o tester ligados às electroválvulas, ou às luzes piloto das próprias electroválvulas, indicam ausência de corrente. Se assinalam que existe corrente, parar imediatamente o queimador e verificar a ligação eléctrica.

ACENDIMENTO DO QUEIMADOR

Depois de ter efectuado as operações descritas no parágrafo anterior, o queimador deve acender-se. Se o motor arranca mas não aparece chama e a caixa de controlo se bloqueia, rearmar esta e fazer uma nova tentativa de arranque. Se o acendimento continua sem efeito, pode ser devido a que o gás não chega ao cabeçal de combustão no tempo de segurança de 3 segundos. Em tal caso, aumentar o caudal de gás no acendimento.

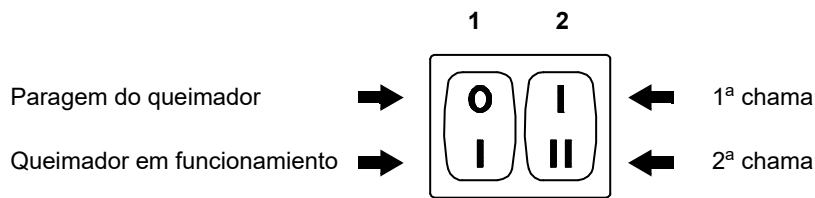
A chegada de gás ao queimador pode observar-se no manómetro do tubo em "U" (C).

Uma vez efectuado o acendimento, proceder-se-á à regulação completa do queimador.



(E)

D469



(A)

D469

REGULAÇÃO DO QUEIMADOR

Para conseguir uma óptima regulação do queimador, é necessário fazer uma análise dos gases de combustão na base da chaminé.

Terá que se regular consecutivamente:

- 1 - Potência de acendimento
- 2 - Potência do queimador na 2ª chama
- 3 - Potência do queimador na 1ª chama
- 4 - Potência intermédia
- 5 - Pressostato ar
- 6 - Pressostato gás de mínima

1 - POTÊNCIA DE ACENDIMENTO

Conforme a norma EN 676.

Queimadores com potência MÁX até 120 kW

O acendimento pode ser feito à máxima potência de funcionamento. Exemplo:

- potência máxima de funcionamento : 120 kW
- potência máxima de acendimento : 120 kW

Queimadores com potência MÁX superior a 120 kW

O acendimento deve ser feito a uma potência reduzida em relação à potência máxima de funcionamento.

Se a potência de acendimento não ultrapassa os 120 kW, não é necessário fazer cálculo algum. Pelo contrário, se a potência supera os 120 kW, a norma estabelece que o seu valor seja definido em função do tempo de segurança "ts" da caixa de controlo:

- para "ts" = 2s. A potência de acendimento deve ser igual ou inferior a 1/2 da potência máxima de funcionamento;
- para "ts" = 3s. A potência de acendimento deve ser igual ou inferior a 1/3 da potência máxima de funcionamento.

Exemplo

Potência MÁX de funcionamento 600 kW.

A potência de acendimento deve ser igual ou inferior a:

- 300 kW com ts = 2 s
- 200 kW com ts = 3 s

Para medir a potência de acendimento:

- Desligar a ficha-tomada 8)(A)p.3 do cabo da sonda de ionização (o queimador acende-se e bloqueia-se passado o tempo de segurança).
- Efectuar 10 acendimentos com bloqueios consecutivos.
- Ler no contador o gás consumido. Esta quantidade deve ser igual ou inferior à que nos dá a fórmula:

Nm³/h (caudal máx. queimador)

360

Exemplo: com gás natural G 20 (10 kWh/Nm³):

Potência máxima de funcionamento: 600 kW

corresponde a um consumo de 60 Nm³/h.

Depois de 10 acendimentos com bloqueio, o caudal de gás medido no contador deve ser igual ou inferior a:

60 : 360 = 0,166 Nm³.

2 - POTÊNCIA NA 2ª CHAMA

A potência na 2ª chama é escolhida dentro do campo de trabalho indicado na pág. 4.

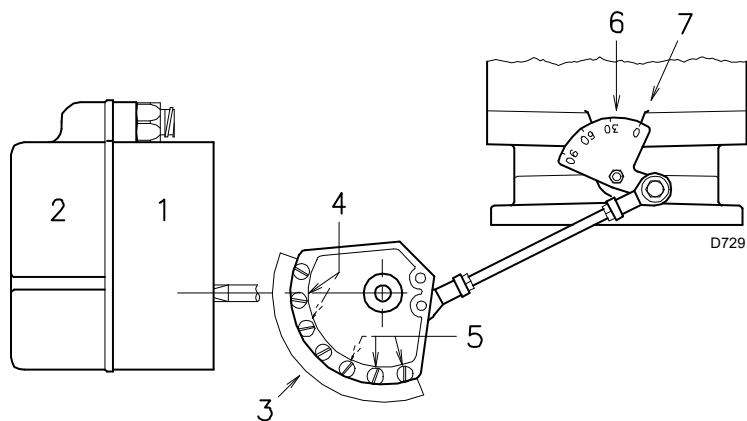
Na descrição anterior, o queimador estava em funcionamento na 1ª chama. Situar agora o interruptor 2)(A) na posição "2ª chama": o servomotor abrirá o registo de ar e ao mesmo tempo a válvula borboleta do gás a 90°.

Regulação do gás

Medir o caudal de gás no contador.

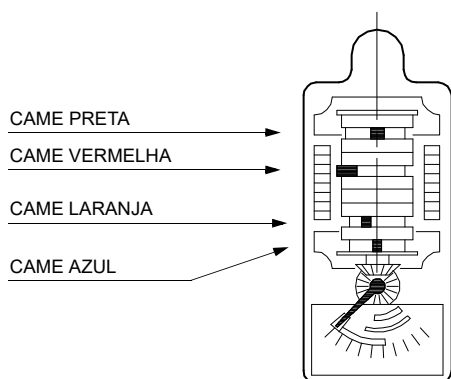
A título de orientação, pode determinar-se através das tabelas da pág. 6, observando a pressão do gás no manómetro do tubo em "U" (ver Fig. (C)p.12 e seguindo as indicações da pág.5.

- Se for necessário reduzi-lo, diminuir a pressão do gás à saída e, se já está no mínimo, fechar um pouco a electroválvula de regulação VR.
- Se for necessário aumentá-la, aumentar a pressão de gás à saída do regulador.

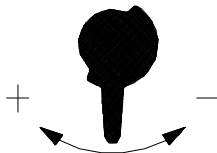


- 1 Servomotor
- 2 Tampa cames
- 3 Came de perfil variável
- 4 Parafusos regulação perfil inicial
- 5 Parafusos regulação perfil final
- 6 Sector graduado válvula borboleta de gás
- 7 Índice do sector graduado 6

(A)



D728



(B)

Regulação do ar

Variar progressivamente o perfil final da came 3)(A) actuando sobre os parafusos 5).

- Para aumentar o caudal de ar, rosca os parafusos.
- Para diminuir o caudal de ar, desenroscar os parafusos.

3 - POTÊNCIA NA 1ª CHAMA

A potência na 1ª chama é escolhida dentro do campo de trabalho indicado na pág. 4.

Pressionar o interruptor 2)(A)p.13 para posição "1ª chama": o servomotor fechará o registo de ar, e ao mesmo tempo, o da válvula borboleta do gás situando-lo a 15°, que é a regulação efectuada em fábrica.

Regulação do gás

Medir o caudal de gás no contador.

- Se deseja diminuí-lo, reduzir um pouco o ângulo da came laranja (B) através de curtos e sucessivos deslocamentos, isto é, passando do ângulo de 15° a 13° - 11°....
- Se deseja aumentá-lo, passar à 2ª chama pressionando o interruptor 2)(A)p. 13 para a posição "2ª chama" e aumentar um pouco o ângulo da came laranja através de curtos e sucessivos deslocamentos, isto é, passando do ângulo de 15° a 17° - 19°....

Seguidamente retornar à 1ª chama e medir o caudal de gás.

NOTA

O servomotor segue a regulação da came laranja só quando se reduz o ângulo da mesma. Se se tem que aumentar o ângulo, é necessário passar à 2ª chama, aumentar o ângulo e retornar à 1ª chama para verificar o efeito da regulação.

Regulação do ar

Variar progressivamente o perfil inicial da came 3)(A), actuando sobre os parafusos 4). Se possível, não rodar o primeiro parafuso, dado que é o utilizado para fechar o registo do ar completamente.

4 - POTÊNCIAS INTERMÉDIAS

Regulação do gás

Não é necessária regulação alguma.

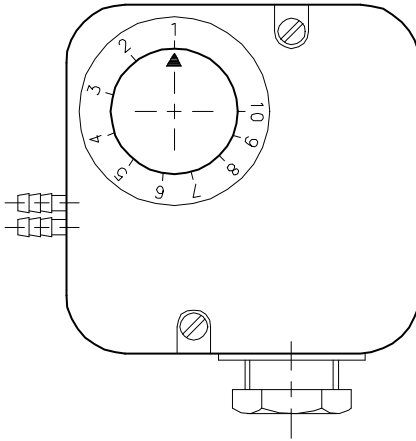
Regulação do ar

Para e o queimador actuando sobre o interruptor 1)(A)p. 13 e actuar sobre os parafusos intermédios da guia de maneira que a pendente seja progressiva.

Não actuar os parafusos das extremidades que já foram utilizados para regular o registo do ar na 1ª e 2ª chamas.

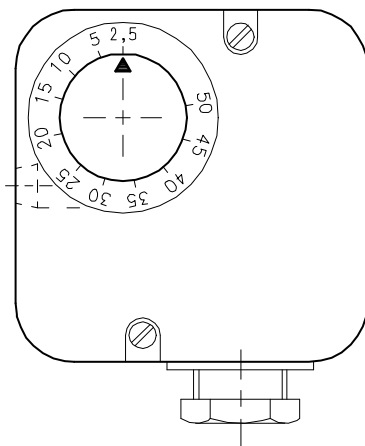
NOTA

Uma vez terminada a regulação das potências 2ª chama - 1ª chama - INTERMÉDIAS, voltar a verificar o acendimento: deve produzir-se um ruído parecido ao do funcionamento sucessivo. Se forem observadas pulsações, reduzir o caudal do acendimento.



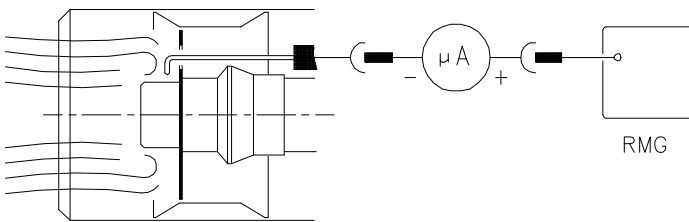
(A)

D521



(B)

D896



(C)

D3023

5 - PRESSOSTATO DE AR (A)

Efectuar a regulação do pressostato de ar, depois de ter feito todas as restantes regulações do queimador, com o pressostato de ar ajustado ao início da escala (A).

Com o queimador a funcionar na 1ª chama, aumentar a pressão de regulação rodando lentamente (no sentido horário) o botão fornecido para tal efeito, até que o queimador se bloqueie. Seguidamente rodar o referido botão no sentido contrário ao dos ponteiros do relógio, cerca de 20% do valor regulado e verificar de seguida o correcto funcionamento do queimador.

Se o queimador se bloqueia de novo, rodar o botão um pouco mais, no sentido contrário ao dos ponteiros do relógio.

Atenção: normalmente, o pressostato de ar deve impedir que o CO nos fumos seja superior a 1% (10.000 p.p.m.). Para o comprovar, introduzir um analisador de CO na chaminé, fechar lentamente a boca de aspiração do ventilador (p.ex. com um cartão) e verificar que o queimador se bloqueia antes que o CO nos fumos ultrapasse 1%.

O pressostato de ar instalado pode funcionar de maneira "diferencial", se for ligado a dois tubos. Se existe uma grande depressão na câmara de combustão na fase varrimento pode ocorrer que o pressostato não feche o seu contacto, neste caso, colocar um tubinho entre o pressostato e a boca de aspiração do ventilador.

Deste modo o pressostato funcionará como pressostato diferencial.

Atenção: o uso do pressostato de ar com funcionamento diferencial só é permitido em aplicações industriais e onde as normas permitam que o pressostato de ar controle só o funcionamento do ventilador, sem limite de referência no que respeita ao CO.

6 - PRESSOSTATO GÁS DE MÍNIMA (B)

Efectuar a regulação do pressostato de gás de mínima depois de ter feito todas as regulações do queimador, com o pressostato ajustado ao início da escala (B).

Com o queimador funcionando à potência MÁX, aumentar a pressão de regulação rodando lentamente (no sentido horário) o botão fornecido para tal efeito, até que o queimador pare.

Seguidamente, rodar o referido botão (no sentido contrário ao dos ponteiros do relógio) 0,2 kPa (2 mbar) e repetir o arranque do queimador para verificar a regularidade de funcionamento.

Se o queimador parar de novo, rodar o botão (no sentido contrário ao dos ponteiros do relógio) 0,1 kPa (1 mbar).



1 kPa = 10 mbar

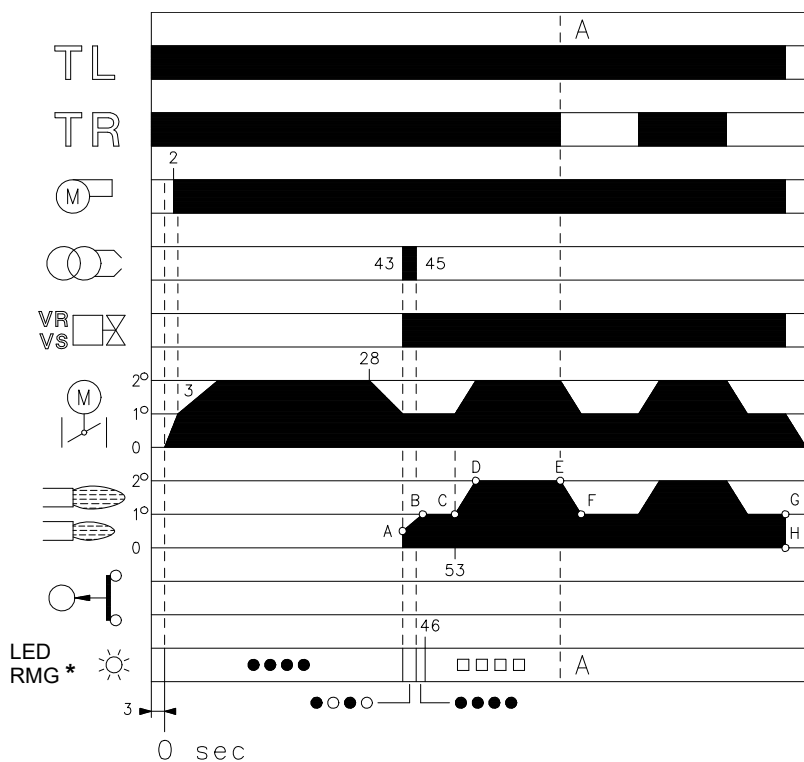
ATENÇÃO

CONTROLO DE PRESENÇA DE CHAMA (C)

O queimador está dotado de um sistema de ionização para controlar a presença da chama. A corrente mínima para o funcionamento da caixa de controlo é de 5 μA. O queimador gera uma corrente nitidamente superior, não precisando normalmente de nenhum controlo. No entanto, se desejar medir a corrente de ionização, é necessário desligar a ficha-tomada 8)(A)p.3 do cabo da sonda de ionização e ligar um microamperímetro de corrente contínua de escala baixa de 100 μA.

Atenção à polaridade

ACENDIMENTO NORMAL (n° = segundos a partir do instante 0)

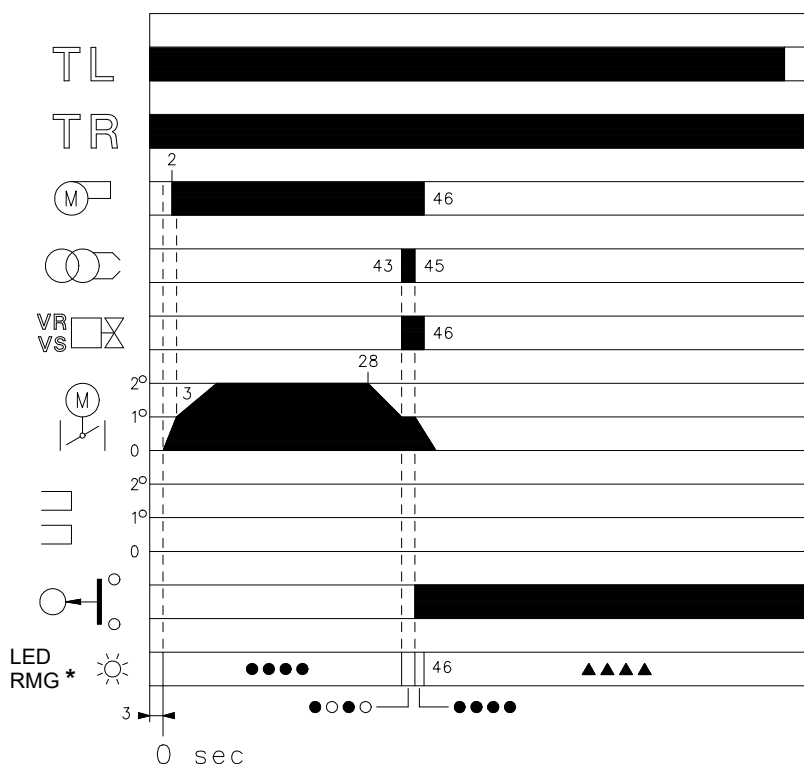


* ○ Apagado ● Amarelo □ Verde ▲ Vermelho
Para ulteriores informações ver pág. 18.

(A)

D3051

FALTA DE ACENDIMENTO



* ○ Apagado ● Amarelo ▲ Vermelho
Para ulteriores informações ver pág. 18.

(B)

D3052

FUNCIONAMENTO DO QUEIMADOR

ARRANQUE DO QUEIMADOR (A)

Fecha-se o termostato TL.
Entra em funcionamento o servomotor: roda em abertura até atingir o ângulo escolhido com a came laranja. Passados cerca de 3s:

- 0 s : Inicia o programa da caixa de controle.
- 2 s : Entra em funcionamento o motor ventilador.
- 3 s : Entra em funcionamento o servomotor: roda em abertura até atingir a actuação de came vermelha. O registo do ar coloca-se na posição de potência 2ª chama. Fase de pré-varrimento, com o caudal de ar da potência da 2ª chama. Duração: 25 segundos.
- 28 s : Entra em funcionamento o servomotor: roda em fechamento até atingir o ângulo escolhido pela came laranja.
- 43 s : O registo do ar e a válvula de borboleta do gás estão na posição de potência de 1ª chama. Gera-se faísca no eléctrodo de acendimento. Abrem-se as electroválvulas de segurança VS e de regulação VR (abertura rápida). Acende-se a chama, com pouca potência, ponto A. Continua um progressivo aumento da potência, abertura lenta da electroválvula VR, até chegar à potência da 1ª chama, ponto B.
- 45 s : A faísca apaga-se.
- 53 s : Se o termostato TR está fechado ou substituído por um shunt, o servomotor roda até atingir a actuação da came vermelha colocando o registo de ar e o de borboleta de gás na posição de 2ª chama, intervalo C-D. Finaliza o ciclo de arranque da caixa de controle.

FUNCIONAMENTO A REGIME (A)

Caldeira com termostato TR

Finalizado o ciclo de arranque, o comando do servomotor passa ao termostato TR, que controla a pressão ou a temperatura da caldeira, ponto D. (A caixa de controlo continua a controlar a presença de chama e a correcta posição do pressostato de ar).

- Quando a temperatura ou a pressão aumenta até à abertura do termostato TR, o servomotor fecha o registo de ar e de borboleta do gás passando o queimador da 2ª à 1ª chama, intervalo E-F).
- Quando a temperatura ou a pressão diminui até ao fecho do termostato TR, o servomotor abre o registo de ar e o de borboleta do gás passando o queimador da 1ª à 2ª chama. E assim sucessivamente.
- A paragem do queimador faz-se quando a procura de calor é inferior à gerada pelo queimador na 1ª chama (intervalo G-H). O termostato TL abre-se, o servomotor regressa ao ângulo 0°, limitado pelo contacto da came azul. O registo fecha-se completamente para reduzir as perdas de calor ao mínimo.

Caldeira sem termostato TR, substituído por um shunt

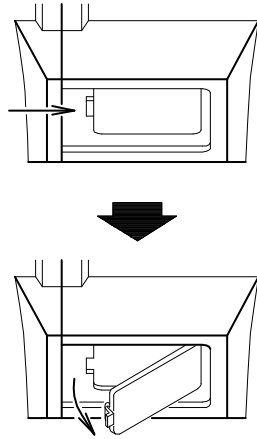
A entrada em funcionamento do queimador é da forma indicada anteriormente. Sucessivamente se a temperatura ou a pressão aumenta até à abertura do termostato TL, o queimador apaga-se (intervalo A-A do gráfico).

FALTA DE ACENDIMENTO (B)

Se o queimador não se acende, produz-se o bloqueio do mesmo ao fim de 3 segundos da abertura da válvula de gás e aos 49 segundos do fecho do termostato TL. Acende-se o led vermelho do equipamento.

EXTINÇÃO DA CHAMA DURANTE O FUNCIONAMENTO

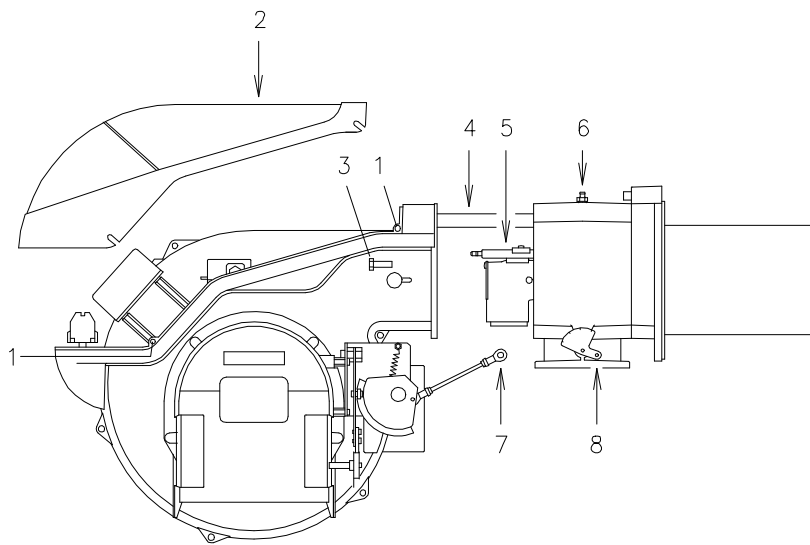
Se a chama se apagar durante o funcionamento, o queimador bloqueia-se em 1 segundo.



(A)

D709

ABERTURA DO QUEIMADOR



(B)

D3034

CONTROLO FINAL (com o queimador em funcionamento)

- Desligar um fio do pressostato gás de mínima;
- Abrir o termostato TL;
- Abrir o termostato TS;

O queimador deve parar

- Desligar o fio comum P do pressostato de ar;
- Desligar o fio da sonda de ionização;

O queimador deve bloquear-se

- Comprovar que os bloqueios mecânicos dos dispositivos de regulação estão bem apertados.

MANUTENÇÃO**Combustão**

Fazer a análise dos gases de combustão que saem da caldeira. As diferenças significativas em relação à última análise indicarão os pontos onde deverão centrar-se as operações de manutenção.

Fugas de gás

Comprovar que não existem fugas de gás na conduta contador-queimador.

Filtro de gás

Substituir o cartucho filtrante quando estiver sujo.

Visor chama

Limpar o vidro do visor chama (A).

Cabeçal de combustão

Abrir o queimador e verificar que todas as partes do cabeçal de combustão estão intactas e não deformadas pelas altas temperaturas, não têm sujidade proveniente do ambiente e que estão correctamente posicionadas. No caso de duvida, desmontar a curva 5)(B).

Queimador

Verificar que não há um desgaste anormal ou parafusos frouxos nos mecanismos que controlam o registo do ar e a válvula de borboleta do gás. De igual modo, os parafusos que fixam os cabos eléctricos na régua do queimador devem estar bem apertados.

Limpar exteriormente o queimador, em particular as rótulas e a came 3)(A)p.14.

Combustão

Regular o queimador se os valores da combustão obtidos no início da intervenção não cumprem as normas em vigor ou não correspondem a uma boa combustão.

Anotar numa ficha de controlo os novos valores da combustão; serão úteis para controlos sucessivos.

PARA ABRIR O QUEIMADOR (B):

- Cortar a corrente eléctrica.
- Extrair o parafuso 1) e extrair a cobertura 2).
- Soltar a rótula 7) do sector graduado 8).
- Nos modelos com tubo de chama prolongado (385-415 mm), montar os prolongadores nas guias 4).
- Tirar o parafuso 3) e deslocar o queimador pelas guias 4) uns 100 mm.
- Desligar os cabos da sonda e do eléctrodo e deslocar todo o queimador.

Neste ponto é possível extrair o distribuidor de gás 5), depois de se ter desenroscado o parafuso 6).

PARA FECHAR O QUEIMADOR (B):

- Tirar o passador 9) e empurrar o queimador até que esteja a uns 100 mm do suporte do queimador.
- Voltar a ligar os cabos e deslocar o queimador até ao fim.
- Voltar a colocar o parafuso 3) e, com cuidado, puxar os dois cabos da sonda e do eléctrodo para fora, até que fiquem sujeitos a uma ligeira tensão.
- Voltar a enganchar a rótula 7) no sector graduado 8).
- Desmontar os dois prolongadores das guias 4).

COMPONENTE DE SEGURANÇA	CICLO DE VIDA
Controlo de chama	10 anos ou 250.000 ciclos de funcionamento
Sensor de chama	10 anos ou 250.000 ciclos de funcionamento
Válvula de gás (tipo solenoide)	10 anos ou 250.000 ciclos de funcionamento
Pressostato	10 anos ou 250.000 ciclos de funcionamento
Regulador de pressão	15 anos
Servomotor (came eletrónico) (se estiver presente)	10 anos ou 250.000 ciclos de funcionamento
Válvula de óleo (tipo solenoide) (se presente)	10 anos ou 250.000 ciclos de funcionamento
Regulador de óleo (se presente)	10 anos ou 250.000 ciclos de funcionamento
Tubos de óleo / acessórios (metal) (se houver)	10 anos
Mangueiras flexíveis (se houver)	5 anos ou 30.000 ciclo em pressão
Impulsor do ventilador	10 anos ou 500.000 ignições

(A)

TESTE DE SEGURANÇA - COM FORNECIMENTO DE GÁS FECHADO

Para realizar o comissionamento com segurança, é muito importante verificar a correta execução das conexões elétricas entre as válvulas de gás e o queimador.

Para este fim, depois de verificar se as conexões foram realizadas de acordo com os diagramas elétricos do queimador, deve ser realizado um ciclo de inicialização com uma torneira de gás fechada (teste seco).

- 1 A válvula de gás manual deve ser fechada com um dispositivo de bloqueio / desbloqueio (procedimento "lock-out / tag out").
- 2 Certifique-se de fechar os contatos elétricos do limite do queimador
- 3 Certifique-se de que o contato do interruptor mínimo de pressão do gás esteja fechado
- 4 Prossiga com uma tentativa de iniciar o queimador.

O ciclo de inicialização deve ocorrer de acordo com as seguintes fases:

- Iniciar o motor do ventilador para pré-ventilação
- Execução da verificação da válvula de gás, se necessário.
- Conclusão da pré-ventilação
- Atingir o ponto de ignição
- Alimentação do transformador de ignição
- Alimentação das válvulas de gás.

Depois de fechado o gás, o queimador não poderá inflamar e seu equipamento de controle e entrará em uma condição de bloqueio de segurança ou paragem.

A alimentação efetiva das válvulas de gás pode ser verificada comum verificador; algumas válvulas estão equipadas com sinais de luz (ou indicadores de posição de fecho / abertura) que são ativados quando são alimentados.



Atenção

SE A ALIMENTAÇÃO ELÉTRICA DAS VÁLVULAS DE GÁS TEM MOMENTOS SEM EXPLORAÇÃO, NÃO ABRA A VÁLVULA MANUAL, RETIRE A ALIMENTAÇÃO, VERIFIQUE O FECHO; CORRIJA OS ERROS E EXECUTE NOVO TESTE.

COMPONENTES DE SEGURANÇA

Os componentes de segurança devem ser substituídos de acordo com o fim do ciclo de vida indicado em Tab. A.

Os ciclos de vida especificados, não estão relacionados com o limite de garantia especificado nos termos de entrega ou pagamento.

DIAGNÓSTICO PROGRAMA DE ARRANQUE

As indicações que aparecem durante o programa de arranque, estão explicadas na seguinte tabela:

TABELA CÓDIGO COR	
Sequências	Código cor
Pré-varrimento	● ● ● ● ● ● ● ● ● ●
Fase de ligação	● ○ ● ○ ● ○ ● ○ ●
Funcionamento com chama ok	□ □ □ □ □ □ □ □ □ □
Funcionamento com sinal de chama fraca	□ ○ □ ○ □ ○ □ ○ □
Alimentação eléctrica inferior a ~ 170V	● ▲ ● ▲ ● ▲ ● ▲ ●
Bloqueio	▲ ▲ ▲ ▲ ▲ ▲ ▲ ▲ ▲
Luz estranha	▲ □ ▲ □ ▲ □ ▲ □ ▲
Legenda:	○ Apagado ● Amarelo □ Verde ▲ Vermelho

DESBLOQUEIO DO EQUIPAMENTO E UTILIZAÇÃO DO DIAGNÓSTICO

O equipamento fornecido de série possui uma sua função de diagnóstico, por meio da qual é possível localizar facilmente as eventuais causas de mau funcionamento (sinalização: **LED VERMELHO**).

Para utilizar tal função, é necessário aguardar pelo menos 10 segundos após a colocação da segurança (bloqueio) e, em seguida, pressionar o botão de desbloqueio.

O equipamento cria uma sequência de impulsos (à distância de 1 segundo) que se repete a intervalos constantes de 3 segundos.

Visualizado o número de sinais intermitentes e identificada a provável causa, é necessário reiniciar o sistema, mantendo o botão pressionado por um período de tempo compreendido entre 1 e 3 segundos.

LED VERMELHO aceso aguardar pelo menos 10s	Bloqueio	Premir desbloqueio por > 3s	Impulsos	Intervalo 3s	Impulsos
			● ● ● ● ● ● ● ● ● ●		● ● ● ● ● ● ● ● ● ●

A seguir, estão ilustrados os métodos possíveis para efectuar o desbloqueio do equipamento e para a utilização do diagnóstico.

DESBLOQUEIO DO EQUIPAMENTO

Para efectuar o desbloqueio do equipamento, agir como segue:

- Premir o botão por um período de tempo compreendido entre 1 e 3 segundos.
O queimador arranca após uma pausa de 2 segundos depois de se ter largado o botão.
No caso em que o queimador não arranque é necessário verificar o fechamento do termostato limite.

DIAGNÓSTICO VISUAL

Indica o tipo de defeito do queimador que determina o bloqueio do mesmo.

Para visualizar o diagnóstico, agir como segue:

- Com o led vermelho fixo (bloqueio do queimador), manter premido o botão por mais de 3 segundos.
O fim da operação será indicado pelo acender de um led amarelo intermitente.
Soltar o botão após o piscar do led. O número de sinais intermitentes evidencia a causa do mau funcionamento de acordo com a codificação indicada na tabela de pag. 19.

DIAGNÓSTICO SOFTWARE

Fornecer a análise da vida vida do queimador por meio da conexão óptica ao PC, indicado as relativas horas de funcionamento, número e tipos de bloqueios, número de série do equipamento etc...

Para visualizar o diagnóstico, agir como segue:

- Com o led vermelho fixo (bloqueio do queimador), manter premido o botão por mais de 3 segundos.
O fim da operação será indicado pelo acender de um led amarelo intermitente.
Soltar o botão por 1 segundo e em seguida, voltar a premi-lo por mais de 3 segundos até à visualização de um ulterior piscar amarelo.
Quando se solta o botão, o led vermelho irá piscar em modo intermitente com frequência elevada: só nessa altura será possível inserir a conexão óptica.

Uma vez executadas as operações, é necessário restabelecer o estado inicial do equipamento por meio do procedimento de desbloqueio acima descrito.

PRESSÃO NO BOTÃO	ESTADO DO EQUIPAMENTO
De 1 a 3 segundos	Desbloqueio do equipamento sem visualização do diagnóstico visual.
Mais de 3 segundos	Diagnóstico visual da condição de bloqueio: (piscar do led com intermitência de 1 segundo).
Mais de 3 segundos a partir da condição de diagnóstico visual	Diagnóstico software com auxílio de interface óptica e PC (possibilidade de visualização das horas de funcionamento, das anomalias, etc..)

A sequência dos impulsos emitidos pelo equipamento identifica os possíveis tipos de avaria que são ilustrados na tabela de pag. 19.

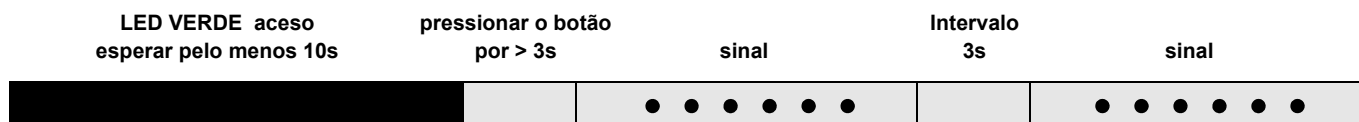
Sinal	Anomalia	Causa provável	Solução
2 sinais intermitentes ● ●	Superada a pré-ventilação e o tempo de segurança, o queimador bloqueia-se sem que apareça a chama.	1 - A electroválvula de funcionamento faz passar pouco gás. 2 - Uma das electroválvulas não se abre. 3 - Pressão de gás demasiado baixa 4 - Eléctrodo de acendimento mal regulado 5 - Eléctrodo à massa por rotura do isolamento 6 - Cabo de alta tensão defeituoso 7 - Cabo de alta tensão deformado pela alta temperatura 8 - Transformador de acendimento defeituoso 9 - Ligações eléctricas válvulas ou transformador incorrectos 10 - Caixa de controlo defeituosa 11 - Uma válvula antes da linha de gás, fechada 12 - Ar nas tubagens 13 - Válvulas gás não ligadas ou bobina interrompida	Aumentá-lo Substituir Aumentá-la no regulador Regulá-lo, ver Fig. (C) pág. 6 Substituí-lo Substituí-lo Substituí-lo e protegê-lo Substituí-lo Comprová-los Substituí-la Abri-la Purgá-lo Verificar ligações ou substituir bobina
3 sinais intermitentes ● ● ●	O queimador não arranca e acontece o bloqueio O queimador arranca mas bloqueia-se de imediato Bloqueio durante o pré-ventilação	14 - O pressóstato de ar em posição de funcionamento - O pressóstato de ar não comuta por pressão de ar insuficiente: 15 - Pressóstato de ar mal regulado 16 - Tubo tomada pressão ar do pressóstato obstruído 17 - Cabeçal mal regulado 18 - Alta pressão na câmara de combustão 19 - Contador do comando motor defeituoso (somente versão trifásica) 20 - Motor eléctrico defeituoso 21 - Bloqueio do motor (somente versão trifásica)	Regulá-lo ou substituí-lo Regulá-lo ou substituí-lo Limpá-lo Regulá-lo Ligar pressóstato de ar à aspiração do ventilador Substituí-lo Substituí-lo Substituí-lo
4 sinais intermitentes ● ● ● ●	O queimador arranca mas bloqueia-se de imediato Bloqueio ao parar o queimador	22 - Simulação de chama 23 - Há chama no cabeçal de combustão ou simulação de chama	Substituir a caixa de controlo Eliminar a chama ou substituir a caixa de controlo
6 sinais intermitentes ● ● ● ● ● ●	O queimador arranca mas bloqueia-se de imediato	24 - Servomotor defeituoso ou mal regulado	Regulá-lo ou substituí-lo
7 sinais intermitentes ● ● ● ● ● ● ●	O queimador bloqueia-se logo depois que aparece a chama Bloqueio do queimador na passagem entre potência mínima e máxima, e vice-versa Em funcionamento, o queimador bloqueia-se	25 - A electroválvula de funcionamento faz passar pouco gás 26 - Sonda de ionização mau regulada 27 - Ionização insuficiente (inferior a 5 A) 28 - Sonda à massa 29 - Terra defeituosa 30 - Fase e neutro invertidos 31 - Avaria do circuito de observação da chama 32 - Demasiado ar ou pouco gás 33 - Sonda ou cabo de ionização à massa	Aumentá-lo Regulá-lo, ver Fig. (C) pág. 6 Verificar a posição da sonda Separá-la ou substituir o cabo Rever tomada de terra Inverter Substituir a caixa de controlo Regular ar o gás Substituir a(s) peça(s) deteriorada(s)
10 sinais intermitentes ● ● ● ● ● ● ● ● ● ●	O queimador não arranca e acontece o bloqueio O queimador bloqueia-se	34 - Ligações eléctricas incorrectas 35 - Caixa de controlo defeituosa 36 - Presença de distúrbios electromagnéticos sobre as linhas dos termóstatos 37 - Presença de distúrbios electromagnéticos	Comprová-los Substituí-la Filtrá-los ou eliminá-los Utilizar o kit protecção contra as rádio-interferências
Nenhum sinal intermitente	O queimador não arranca O queimador continua a repetir o ciclo de arranque sem se bloquear Acendimento com pulsações O queimador não funciona em 2a chama O queimador fica com o registo de ar aberto	38 - Falta corrente eléctrica 39 - Um termóstato de regulação ou de segurança aberto 40 - Fusível de linha de controlo fundido 41 - Caixa de controlo defeituosa 42 - Falta de gás 43 - Pressão de gás na rede insuficiente 44 - O pressóstato de gás de mínima não fecha 45 - A pressão do gás na rede está próxima do valor ao qual está regulado o pressóstato gás de mínima. A queda repentina de pressão que se tem quando se abre a válvula provoca a abertura do próprio pressóstato, razão pela qual a válvula se fecha imediatamente e o motor pára. A pressão volta a aumentar, o pressóstato fecha e faz com que o ciclo de arranque se repita. E assim sucessivamente. 46 - Cabeçal mal regulado 47 - Eléctrodo de acendimento mal regulado 48 - Registo ventilador mal regulado; demasiado ar 49 - Potência de acendimento demasiado elevada 50 - Controlo remoto TR não fecha 51 - Caixa de controlo defeituosa 52 - Servomotor defeituoso 53 - Servomotor defeituoso	Fechar interruptores Controlar ligações eléctricas Regulá-lo ou substituí-lo Substituí-lo Substituí-la Abrir válvulas manuais entre o contador e a linha Contacte a COMPANHIA DO GÁS Regulá-lo ou substituí-lo Reduzir a pressão de intervenção do pressóstato de gás de mínima. Substituir a cartucho do filtro de gás. Regular. Ver página 7. Regulá-lo, ver Fig. (C) pág. 6 Regulá-lo Reduzi-la Regulá-lo ou substituí-lo Substituí-la Substituí-lo Substituí-lo

FUNCIONAMENTO NORMAL / TEMPO DE OBSERVAÇÃO DA CHAMA

A caixa de controlo possui uma ulterior função, através da qual é possível verificar o correcto funcionamento do queimador (sinalização: **LED VERDE** permanentemente aceso).

Para utilizar tal função é necessário esperar pelo menos dez segundos desde o acendimento do queimador e pressionar o botão da caixa de controlo por um tempo mínimo de três segundos.

Logo o botão, o LED VERDE começará a piscar, como ilustrado na figura abaixo.



As pulsações do LED constituem sinais com intervalos de cerca de 3 segundos.

O número de pulsações indicará o TEMPO DE OBSERVAÇÃO da sonda desde a abertura das válvulas de gás, segundo a tabela seguinte.

SINAL	TEMPO DE OBSERVAÇÃO DA CHAMA
1 sinal intermitente ●	0.4 s
2 sinais intermitentes ● ●	0.8 s
6 sinais intermitentes ● ● ● ● ● ●	2.8 s

A cada arranque do queimador, este dado é actualizado. Realizada a leitura, pressionando brevemente o botão da caixa de controlo, o queimador repete o ciclo de arranque.

ATENÇÃO

Se se obtém um tempo > 2 s tem-se o acendimento atrasado.

Verificar a regulação do travão hidráulico na válvula de gás e regular o registo de ar e o cabeçal de combustão.

KIT INTERFACE ADAPTER RMG TO PC Código 3002719

ACESSÓRIOS (por encomenda):

• KIT PROTECÇÃO CONTRA AS RÁDIO-INTERFERÊNCIAS

No caso de instalação do queimador em ambientes especiais sujeitos a rádio-interferências (emissão de sinais superiores a 10 V/m) devido a presença de INVERTER ou em aplicações onde os comprimentos das conexões do termóstato superem os 20 metros, está disponível um kit de protecção como interface entre a aparelhagem e o queimado.

QUEIMADOR	RS 70 - RS 100 - RS 130
Código	3010386

• KIT CABEÇA COMPRIDA

QUEIMADOR	RS 70	RS 100	RS 130
Código	3010117	3010118	3010119

• KIT PARA FUNCIONAMENTO COM GPL: O kit permite que os queimadores RS 70 - 100 - 130 funcionem com GPL.

QUEIMADOR	RS 70		RS 100		RS 130	
Potência kW	242 ÷ 814		349 ÷ 1163		466 ÷ 1512	
Comprimento do tubo de fogo mm	250	385	250	385	280	415
Código	3010097	3010098	3010099	3010100	3010101	3010102

• KIT PARA REDUÇÃO DAS VIBRAÇÕES

QUEIMADOR	RS 70		RS 100		RS 130	
Potência kW	192 ÷ 814		232 ÷ 1163		185 ÷ 1461	
Comprimento do tubo de fogo mm	250	385	250	385	280	415
Código	3010201		3010202		3010373	3010374

• KIT INTERFACE ADAPTER RMG TO PC: código 3002719

• LINHA DE COMANDO DE GÁS CONFORME A NORMA EN 676 (completa, com válvulas, regulador de pressão e filtro): ver página 8.

Importante: O instalador é responsável pela eventual incorporação de dispositivos de segurança não previstos neste manual.

RIELLO

RIELLO S.p.A.
I-37045 Legnago (VR)
Tel.: +39.0442.630111
[http:// www.riello.it](http://www.riello.it)
[http:// www.riello.com](http://www.riello.com)