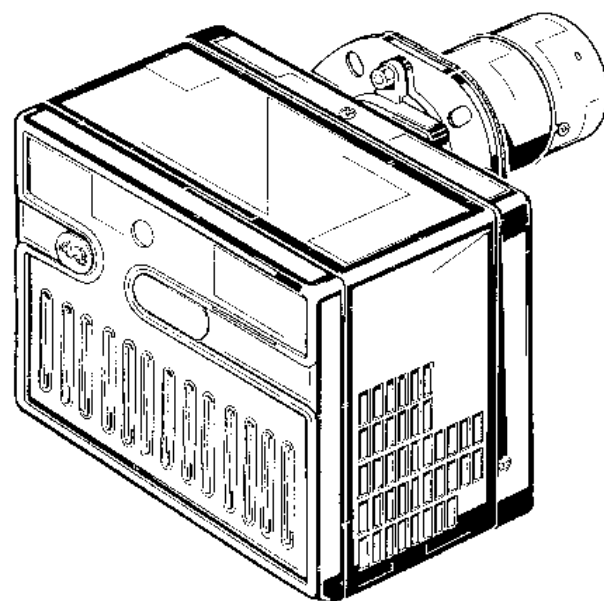


GB Kerosene and Gas oil burner
F Brûleur à kérosène et fioul domestique

One stage operation
Fonctionnement à une allure



B₁₀

CODE	MODEL - MODÈLE	TYPE
3747469	G20	474T51



Original instructions

Traduction des instructions d'origine

1	Declaration	3
2	Information and general warnings	4
2.1	Information about the instruction manual	4
2.1.1	Introduction	4
2.1.2	General dangers	4
2.1.3	Danger: live components	4
2.2	Guarantee and responsibility	5
2.3	Guidance for the use of bio fuel blends up to 10%	5
2.3.1	Information and general instructions	6
2.3.2	Product Disclaimer Statement	6
3	Safety and prevention	7
3.1	Introduction	7
3.2	Safety warnings	7
3.3	Basic safety rules	7
3.4	Personnel training	7
4	Technical description of the burner	8
4.1	Technical data	8
4.2	Burner description	8
4.3	Burner equipment	8
4.4	Burner dimensions	9
4.5	Firing rate	9
5	Installation	10
5.1	Notes on safety for the installation	10
5.2	Handling	10
5.3	Preliminary checks	10
5.4	Installer/Service notes for the use of Gas oil with Bio blends up to 10%	11
5.5	Working position	11
5.6	Securing the burner to the boiler	12
6	Hydraulic systems	13
6.1	Fuel supply	13
6.1.1	Pump	13
6.2	One pipe system	14
6.2.1	Priming pump	14
6.3	Two pipe system	15
6.3.1	Priming pump	15
7	Electrical system	16
7.1	Notes on safety for the electrical wiring	16
7.2	Electrical wiring	17
7.2.1	Control box	18
7.2.2	Flame sensor	18
8	Start-up, calibration and operation of the burner	19
8.1	Notes on safety for the first start-up	19
8.2	Combustion adjustment	19
8.3	Nozzles installation	19
8.3.1	Nozzles recommended	20
8.4	Pump pressure	20
8.5	Combustion head adjustment	20
8.6	Air damper adjustment	21
8.7	Electrode setting	21

8.8	Burner start-up cycle	22
8.9	Adjustments, to avoid flame - detachment, at burner - ignition (only for gas oil).....	22
9	Maintenance	23
9.1	Notes on safety for the maintenance.....	23
9.2	Maintenance programme	23
9.2.1	Maintenance frequency	23
9.2.2	Maintenance position	23
9.2.3	Checking and cleaning	23
10	Faults / Solutions	25

1 Declaration**Declaration of Conformity in accordance with ISO / IEC 17050-1**

These products are in compliance with the following Technical Standards:

- EN 12100
- EN 267

According to the European Directives:

MD	2006/42/EC	Machine Directive
LVD	2014/35/EU	Low Voltage Directive
EMC	2014/30/EU	Electromagnetic Compatibility

The quality is guaranteed by a quality and management system certified in accordance with ISO 9001:2015.

2 Information and general warnings

2.1 Information about the instruction manual

2.1.1 Introduction

The instruction manual supplied with the burner:

- is an integral and essential part of the product and must not be separated from it; it must therefore be kept carefully for any necessary consultation and must accompany the burner even if it is transferred to another owner or user, or to another system. If the manual is lost or damaged, another copy must be requested from the Technical Assistance Service of the area;
- is designed for use by qualified personnel;
- offers important indications and instructions relating to the installation safety, start-up, use and maintenance of the burner.

Symbols used in the manual

In some parts of the manual you will see triangular DANGER signs. Pay great attention to these, as they indicate a situation of potential danger.

2.1.2 General dangers

The **dangers** can be of **3 levels**, as indicated below.



Maximum danger level!
This symbol indicates operations which, if not carried out correctly, cause serious injury, death or long-term health risks.



This symbol indicates operations which, if not carried out correctly, may cause serious injury, death or long-term health risks.



This symbol indicates operations which, if not carried out correctly, may cause damage to the machine and/or injury to people.

2.1.3 Danger: live components



This symbol indicates operations which, if not carried out correctly, lead to electric shocks with lethal consequences.

Other symbols



ENVIRONMENTAL PROTECTION

This symbol gives indications for the use of the machine with respect for the environment.

- This symbol indicates a list.

Abbreviations used

Ch.	Chapter
Fig.	Figure
Page	Page
Sec.	Section
Tab.	Table

Delivery of the system and the instruction manual

When the system is delivered, it is important that:

- the instruction manual is delivered to the user by the system manufacturer, with the recommendation to keep it in the room where the heat generator is to be installed.
- The instruction manual shows:
 - the serial number of the burner;

.....

- the address and telephone number of the nearest Assistance Centre.

.....

.....

.....

- The system supplier must carefully inform the user about:
 - the use of the system;
 - any further tests that may be required before activating the system;
 - maintenance, and the need to have the system checked at least once a year by a representative of the manufacturer or another specialised technician.

To ensure a periodic check, the manufacturer recommends the drawing up of a Maintenance Contract.

2.2 Guarantee and responsibility

The manufacturer guarantees its new products from the installation date, in accordance with the regulations in force and/or the sales contract. At the moment of the first start-up, check that the burner is integral and complete.



WARNING

Failure to observe the information given in this manual, operating negligence, incorrect installation and carrying out of non authorised modifications will result in the annulment by the manufacturer of the guarantee that it supplies with the burner.

In particular, the rights to the guarantee and the responsibility will no longer be valid, in the event of damage to things or injury to people, if such damage/injury was due to any of the following causes:

- incorrect installation, start-up, use and maintenance of the burner;
- improper, incorrect or unreasonable use of the burner;
- intervention of unqualified personnel;
- carrying out of unauthorised modifications on the equipment;
- use of the burner with safety devices that are faulty, incorrectly applied and/or not working;
- installation of untested supplementary components on the burner;
- powering of the burner with unsuitable fuels;
- faults in the fuel supply system;
- continuation of use of the burner when a fault has occurred;
- repairs and/or overhauls incorrectly carried out;
- modification of the combustion chamber with inserts that prevent the regular development of the structurally established flame;
- insufficient and inappropriate surveillance and care of those burner components most likely to be subject to wear and tear;
- the use of non-original components, including spare parts, kits, accessories and optional;
- force majeure.

The manufacturer furthermore declines any and every responsibility for the failure to observe the contents of this manual.

Riello warranty is subject to correct burner, appliance and application matching, and set up in line with Riello's instructions and guidelines. All components within the hydraulic circuit suitable for bio fuel use and supplied by Riello will be identified as Bio compatible. No warranty is given in relation to the use of components which are not so identified with bio fuel blends. If in any doubt please contact Riello for further advice.

If any Riello burners are used with fuel with a bio content >10% then the components within the hydraulic circuit maybe affected and are not covered under warranty.

The hydraulic circuit consists of:

- Pump
- Hydraulic ram (where applicable)
- Valve block
- Flexible oil lines (considered as a consumable component)

- 1 Irrespective of any warranty given by Riello in relation to normal use and manufacturing defects, when fuels not meeting the relevant standards are used, or where fuel storage issues have not been addressed correctly, or the equipment used is not compatible, if failures occur which are directly or indirectly attributed to such issues and/or to the non-observance of this guidance, then no warranty or liability is implied or accepted by Riello.
- 2 Riello have carefully chosen the specification of the bio compatible components including the flexible oil lines to protect the pump, safety valve and nozzle. The Riello warranty is dependent upon the use of Riello genuine components including the oil lines, being used.
- 3 Riello warranty does not cover defects arising from incorrect commissioning or servicing by non Riello employed service engineers, and any issues impacting the burner arising from external site related issues.

2.3 Guidance for the use of bio fuel blends up to 10%

Background

With increasing focus on renewable and sustainable energy requirements, Bio fuel usage is set to increase. Riello is committed to promoting energy conservation and the use of renewable energy from sustainable resources including liquid bio fuels, however there are some technical aspects that must be considered at the planning stage of using such fuels to reduce the potential for equipment failure or the risks of fuel leakage.

Liquid Bio fuel is a generic description used for oil that can come from numerous feed stocks including recycled cooking oils. These types of oils have to be considered and treated differently from standard mineral or fossil fuels, as they are generally more acidic, hygroscopic and less stable.

Due to this, a holistic approach is needed from the specification of the liquid Bio fuel, the storage of the fuel, its oil supply line and ancillary equipment, and very importantly the oil filtration and the burner itself. The specification for FAME (Fatty Acids Methyl Ester) liquid Bio fuel is critical to reliable equipment operation.

It is a minimum requirement that the fuel blend (up to 10% Bio) is obtained with gas oil in accordance with the relevant EN standards, regional regulations and FAME in accordance with EN 14214. It is also important that the fuel blends meet the require-

ments related to operational environment conditions within the relevant EN standards.

When choosing your Riello oil products where you know Bio fuels will be in use, please make sure that a Bio compatible burner and/or components have been supplied. If an existing burner is to be used with a liquid Bio fuel then a kit may be required to make it compatible and the guidance notes enclosed concerning oil storage and filtration must be adhered to. The end user is responsible for the thorough verification of the potential risks associated with the introduction of a bio fuel blend and the suitability of the appliances and installation applicable.

Irrespective of any warranty given by Riello in relation to normal use and manufacturing defects, when fuels not meeting the relevant standards are used, or where fuel storage issues have not been addressed correctly, or the equipment used is not compatible, if failures occur which are directly or indirectly attributed to such issues and/or to the non-observance of this guidance, then no warranty or liability is implied or accepted by Riello.

2.3.1 Information and general instructions

To ensure consistency, the supplier of the fuel must be able to demonstrate compliance with a recognised Quality Control and management system to ensure high standards are maintained within the storage, blending and delivery processes.

The installation oil storage tank and its ancillaries must also be prepared BEFORE liquid Bio fuel is introduced.

Checks and preparation should include:

- For new installations, make sure that all materials and seals in the oil storage and supply line to the burner are compatible with Bio fuels. For all installations, there must be a good quality bio compatible oil filter at the tank and then a secondary filter of 60 Microns protecting the burner from contamination.
- If an existing oil storage tank is to be used then in addition to the materials checks as detailed above, it will be essential that the tank is first inspected for condition and checked for water or other contamination. Riello strongly recommends that the tank is cleaned and oil filters replaced prior to Bio fuel delivery. If this is not completed then due to the hydroscopic nature of Bio fuel, it will effectively clean the tank, absorb water present which in turn will result in equipment failure that is not covered by the manufacturer's warranty.
- Depending on the capacity of the oil storage tank and oil usage, fuels may remain static within the tank for some considerable time and so Riello recommends that the oil distributor is consulted regarding the use of additional Biocides within the fuel to prevent microbial growth from occurring within the tank. Riello suggests that fuel suppliers and or service companies are contacted for guidance on fuel filtration. Special attention should be applied to fuel applications where oil may be stored for long periods of time.
- The burner must be set according to the appliance application and commissioned checking that all combustion parameters are as recommended in the appliance technical manual.
- Riello recommends that the in line and burner oil pump filters are inspected and if required replaced at least every 4 months during burner use, before the burner start-up following a long period of discontinue operation and even more frequently where contamination has occurred. Particular attention is needed when inspecting and checking for fuel leakages from seals, gaskets and hoses.

2.3.2 Product Disclaimer Statement

CAREFULLY READ THE FOLLOWING DISCLAIMER. YOU ACCEPT AND AGREE TO BE BOUND BY THIS DISCLAIMER BY PURCHASING RIELLO BIO COMPATIBLE BURNERS AND/OR COMPONENTS.

Although the information and recommendations (hereinafter "Information") in this guidance is presented in good faith, believed to be correct and has been carefully checked, Riello (and its subsidiaries) makes no representations or warranties as to the completeness or accuracy of the Information. Information is supplied upon the condition that the persons receiving same will make their own determination as to its suitability for their purposes prior to use. In no event will Riello (and its subsidiaries) be responsible for damages of any nature whatsoever resulting from the use of or reliance upon Information.

Other than set forth herein, Riello (and its subsidiaries) makes no additional warranties with respect to the bio compatible burner, either express or implied, including that of merchantability or fitness for a particular purpose or use.

In no event shall Riello (and its subsidiaries) be liable for any indirect, incidental, special or consequential damages including, without limitation, loss of profits, damages for loss of business profits, business interruption, loss of business information, loss of equipment, or other pecuniary loss or compensation for services whether or not it is advised of the possibility of such damages.

With the exception of injuries to persons, Riello's liability is limited to the customer's right to return defective/non-conforming products as provided by the relevant product warranty.

3 Safety and prevention

3.1 Introduction

The burners have been designed and built in compliance with current regulations and directives, applying the known technical rules of safety and envisaging all the potential danger situations.

It is necessary, however, to bear in mind that the imprudent and clumsy use of the equipment may lead to situations of death risk for the user or third parties, as well as the damaging of the burner or other items. Inattention, thoughtlessness and excessive confidence often cause accidents; the same applies to tiredness and sleepiness.

It is a good idea to remember the following:

- The burner must only be used as expressly described. Any other use should be considered improper and therefore dangerous.

In particular:

it can be applied to boilers operating with water, steam, diathermic oil, and to other uses expressly named by the manufacturer;

the type and pressure of the fuel, the voltage and frequency of the electrical power supply, the minimum and maximum deliveries for which the burner has been regulated, the pressurisation of the combustion chamber, the dimensions of the combustion chamber and the room temperature must all be within the values indicated in the instruction manual.

- Modification of the burner to alter its performance and destinations is not allowed.
- The burner must be used in exemplary technical safety conditions. Any disturbances that could compromise safety must be quickly eliminated.
- Opening or tampering with the burner components is not allowed, apart from the parts requiring maintenance.
- only those parts detailed as available as spare parts by the manufacturer can be replaced.

3.2 Safety warnings

The dimension of the boiler's combustion chamber must respond to specific values, in order to guarantee a combustion with the lowest polluting emissions rate.

The Technical Service Personnel will be glad to give you all the information for a correct matching of this burner to the boiler.

This burner must only be used for the application it was designed for.

The manufacturer accepts no liability within or without the contract for any damage caused to people, animals and property due to installation, adjustment and maintenance errors or to improper use.

3.3 Basic safety rules

- Children or inexperienced persons must not use the appliance.
- Under no circumstances must the intake grids, dissipation grids and ventilation vents in the installation room be covered up with cloths, paper or any other material.
- Unauthorised persons must not attempt to repair the appliance.
- It is dangerous to pull or twist the electric leads.
- Cleaning operations must not be performed if the appliance is not disconnected from the main power supply.
- Do not clean the burner or its parts with inflammable substances (e.g. petrol, alcohol, etc.). The cover must be cleaned with soapy water.
- Do not place anything on the burner.
- Do not block or reduce the size of the ventilation vents in the installation room.
- Do not leave containers and inflammable products or combustible materials in the installation room.

3.4 Personnel training

The user is the person, body or company that has acquired the machine and intends to use it for the specific purpose. He is responsible for the machine and for the training of the people working around it.

The user:

- undertakes to entrust the machine exclusively to suitably trained and qualified personnel;
- must take all the measures necessary to prevent unauthorised people gaining access to the machine;
- undertakes to inform his personnel in a suitable way about the application and observance of the safety instructions. With that aim, he undertakes to ensure that everyone knows the use and safety instructions for his own duties;
- must inform the manufacturer if faults or malfunctioning of the accident prevention systems are noticed, along with any presumed danger situation.
- Personnel must always use the personal protective equipment envisaged by legislation and follow the indications given in this manual.
- Personnel must observe all the danger and caution indications shown on the machine.
- Personnel must not carry out, on their own initiative, operations or interventions that are not within their province.
- Personnel must inform their superiors of every problem or dangerous situation that may arise.
- The assembly of parts of other makes, or any modifications, can alter the characteristics of the machine and hence compromise operating safety. The manufacturer therefore declines any and every responsibility for any damage that may be caused by the use of non-original parts.

4 Technical description of the burner

4.1 Technical data

Type	474T51
Thermal power – output	95 – 213 kW – 8 – 18 kg/h
Fuel	Kerosene, viscosity 1.6 – 6 mm ² /s at 20 °C (Hi = 11.97 kWh/kg) Gas oil, viscosity 4 – 6 mm ² /s at 20 °C (Hi = 11.86 kWh/kg) Blends of gasoil and bio fuel (FAME in accordance with EN 14214) up to 10%
Electrical supply	Single phase, ~ 50Hz 230 V ± 10%
Motor	Run current 1.3A – 150W – 2750 rpm – 288 rad/s
Capacitor	5 µF
Ignition transformer	Secondary 8 kV – 16 mA
Pump	Kerosene maximum pressure 10 bar (145 psi) Gas oil maximum pressure 15 bar (218 psi)
Absorbed electrical power	0.32 kW

Tab. A

4.2 Burner description

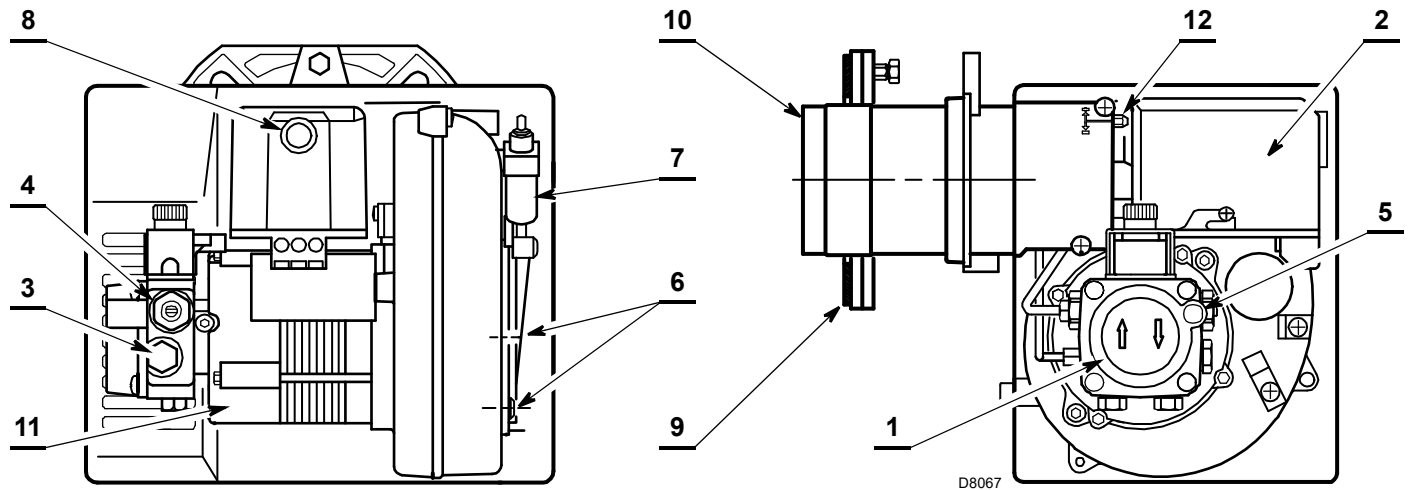


Fig. 1

- | | |
|----------------------------|-------------------------------------|
| 1 Pump | 7 Hydraulic jack with air damper |
| 2 Control box | 8 Lock-out lamp and reset button |
| 3 Gauge connection | 9 Flange with insulating gasket |
| 4 Pump pressure regulator | 10 Combustion head |
| 5 Vacuum gauge connection | 11 Motor |
| 6 Screws fixing air damper | 12 Combustion head adjustment screw |

4.3 Burner equipment

- | | |
|--------------------------------------|-------|
| Hoses with nipple | No. 1 |
| Flange with insulating gasket | No. 1 |
| Screws and nuts for flange..... | No. 4 |
| Screw of pump by-pass..... | No. 1 |
| 7 pin plug..... | No. 1 |
| Cable gland..... | No. 1 |
| Screw with two nuts for flange | No. 1 |
| Maintenance assembly | No. 1 |



In case of use with gas oil containing up to 10% Bio blend, it will be essential to use flexible oil lines suitable for bio fuel use. Please contact Riello for further information.

4.4 Burner dimensions

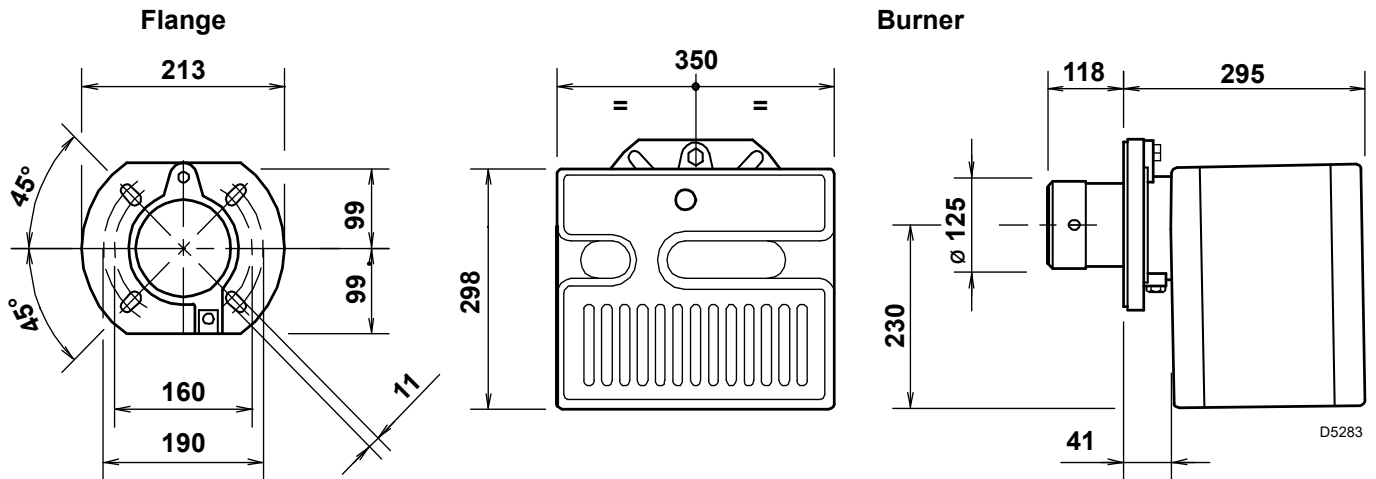


Fig. 2

4.5 Firing rate

The **MAXIMUM OUTPUT** is chosen from within the diagram area (Fig. 3).

The **MINIMUM OUTPUT** must not be lower than the minimum limit of the diagram.

The burner delivery must be selected within area of the diagrams (Fig. 3). This area is called firing rate and provides the maximum delivery of the burner in relation to the pressure in the combustion chamber.

The work point may be found by plotting a vertical line from the desired delivery and a horizontal line from the pressure in the combustion chamber. The intersection of these two lines is the work point which must lie within the firing rates.



The firing rate area values have been obtained considering a surrounding temperature of 20 °C, and an atmospheric pressure of 1013 mbar (approx. 0 m above sea level).

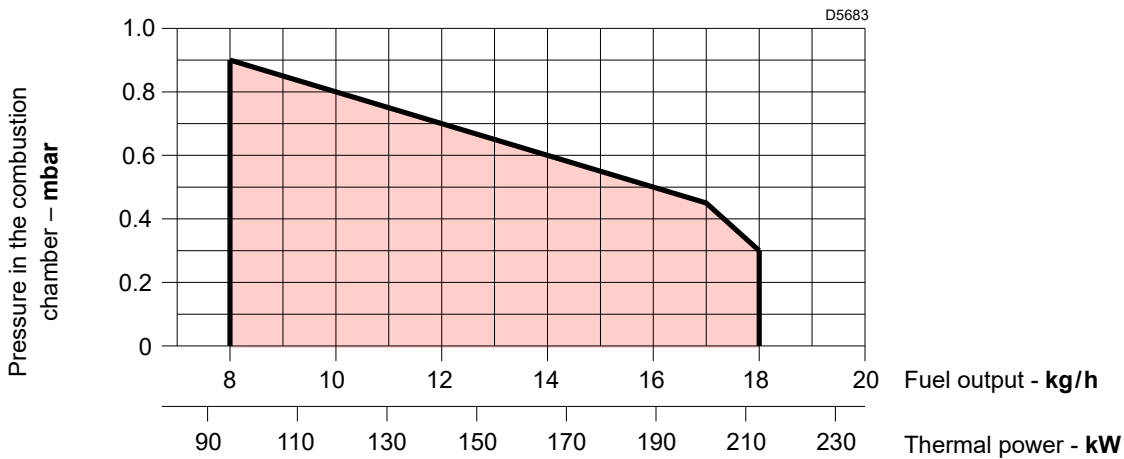


Fig. 3

5 Installation

5.1 Notes on safety for the installation

After carefully cleaning all around the area where the burner will be installed, and arranging the correct lighting of the environment, proceed with the installation operations.



All the installation, maintenance and disassembly operations must be carried out with the electricity supply disconnected.



The installation of the burner must be carried out by qualified personnel, as indicated in this manual and in compliance with the standards and regulations of the laws in force.

5.2 Handling

The packaging of the burner includes a carton box, so it is possible to move the burner (still packaged) with a transpallet truck or fork lift truck.



The handling operations for the burner can be highly dangerous if not carried out with the greatest attention: keep any unauthorised people at a distance; check the integrity and suitability of the available means of handling. Check also that the area in which you are working is empty and that there is an adequate escape area (i.e. a free, safe area to which you can quickly move if the burner should fall). When handling, keep the load at not more than 20-25 cm from the ground.



After positioning the burner near the installation point, correctly dispose of all residual packaging, separating the various types of material. Before proceeding with the installation operations, carefully clean all around the area where the burner will be installed.

5.3 Preliminary checks

Checking the consignment



After removing all the packaging, check the integrity of the contents. In the event of doubt, do not use the burner; contact the supplier.



The output of the burner must be within the boiler's firing rate.



The packaging elements (wooden cage or cardboard box, nails, clips, plastic bags, etc.) must not be abandoned as they are potential sources of danger and pollution; they should be collected and disposed of in the appropriate places.



A burner label that has been tampered with, removed or is missing, along with anything else that prevents the definite identification of the burner makes any installation or maintenance work difficult.

Checking the characteristics of the burner

R.B.L.	A		B		
	D	C	G		
	B	E			
	F				
RIELLO S.p.A. I-37045 Legnago (VR)					XXXX

Fig. 4

- Check the identification label of the burner, showing:
- the model **A**(Fig. 4) and type of burner **B**);
 - the year of manufacture, in cryptographic form **C**);
 - the serial number **D**);
 - the electrical input power **E**);
 - the types of fuel used and the relative supply pressures **F**);
 - the data of the burner's minimum and maximum output possibilities **G**)(see Firing rate)

5.4 Installer/Service notes for the use of Gas oil with Bio blends up to 10%

- During the burner installation, check that the gas oil and bio fuel blends are in accordance with Riello specifications (please refer to the chapters "Technical Data" and "Guidance for the use of bio fuel blends up to 10%" within the burner technical manual).
- If a Bio blend is in use the installer must seek information from the end user that their fuel supplier can evidence that the blends of fuel conform to the relevant standards.
- Check that the materials used in the construction of the oil tank and ancillary equipment are suitable for bio fuels, If not these must be upgraded or replaced with Bio compatible parts.
- Particular attention should be given to the oil storage tank and supply to the burner. Riello recommends that existing oil storage tanks are cleaned, inspected and any traces of water are removed BEFORE bio fuel is introduced (Contact the tank manufacturer or oil supplier for further advice). If these recommendations are not respected this will increase the risk of contamination and possible equipment failure.
- In line oil filters should be replaced making sure that they are Bio compatible. Riello recommends a good quality bio compatible oil filter at the tank and a secondary 60 micron filter are used to protect the burner pump and nozzle from contamination.
- The burner hydraulic components and flexible oil lines must be suitable for bio fuel use (check with Riello if in doubt). Riello have carefully chosen the specification of the bio compatible components including the flexible oil lines to protect the pump, safety valve and nozzle. The Riello warranty is dependent upon the use of Riello genuine components including the oil lines, being used. The burner must be commissioned and combustion parameters set to appliance manufacturer's recommendations.
- Regularly check visually for any signs of oil leakage from seals, gaskets and hoses.
- It is strongly recommended that with Bio fuel use, oil filters are inspected and replaced every 4 months. More regularly where contamination is experienced.
- During extended periods of non operation and/or where burners are using oil as a standby fuel, it is strongly recommended that the burner is put into operation for short periods at least every three months.

5.5 Working position



WARNING

The burner is designed to operate only in the positions **1**, **2** and **4** (Fig. 5).

Installation **1** is preferable, as it is the only one that allows performing maintenance operations as described in this manual.

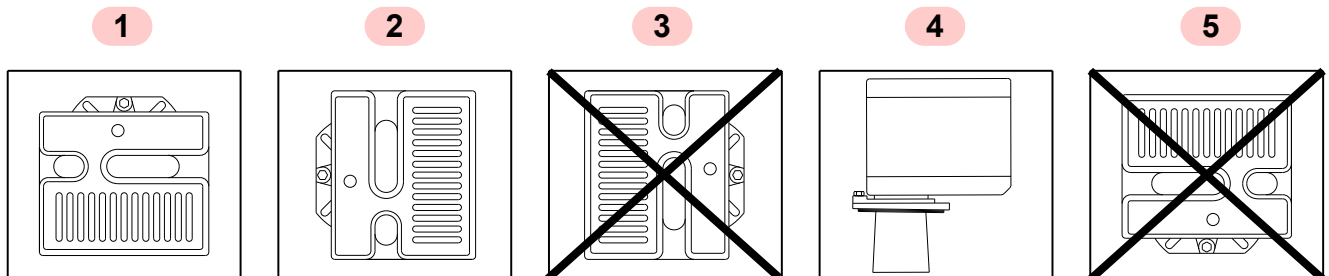
Installation **4** allows working operations but not maintenance with hooking to the boiler.



DANGER

Any other position could compromise the correct operation of the appliance.

Installations **3** and **5** are forbidden for safety reasons.



S10022

Fig. 5

5.6 Securing the burner to the boiler

- Put on the flange 1)(Fig. 6) the screw 2) and two nuts 3).
- It is necessary that the insulating gasket 5)(Fig. 9) is placed between the boiler door and the burner flange.
If necessary, the insulating gasket can be modified as shown in Fig. 7.
- Fix the flange 1) to the boiler door 4) using screws 2) and (if necessary) the nuts 3) interposing the insulating gasket 5).
- Verify that the installed burner is lightly leaned towards the button (Fig. 8).

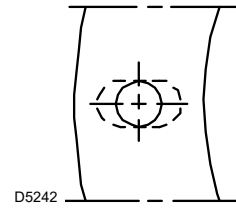


Fig. 7

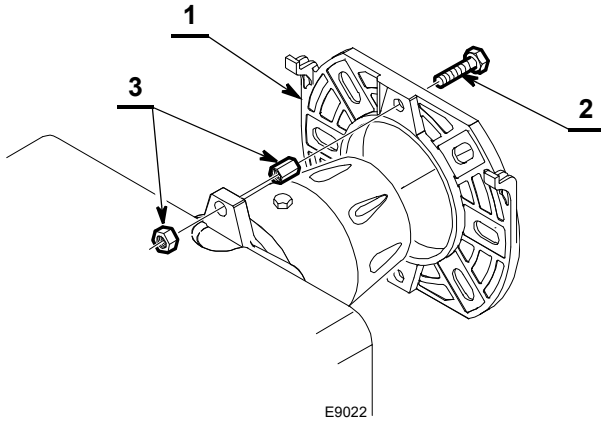


Fig. 6

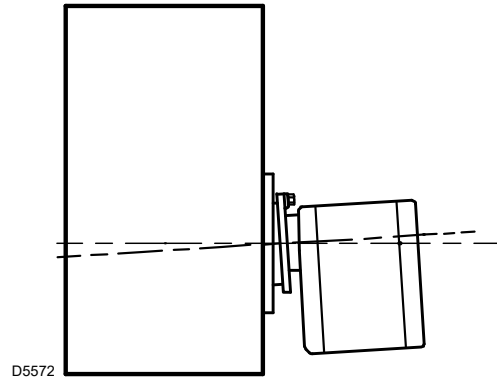


Fig. 8

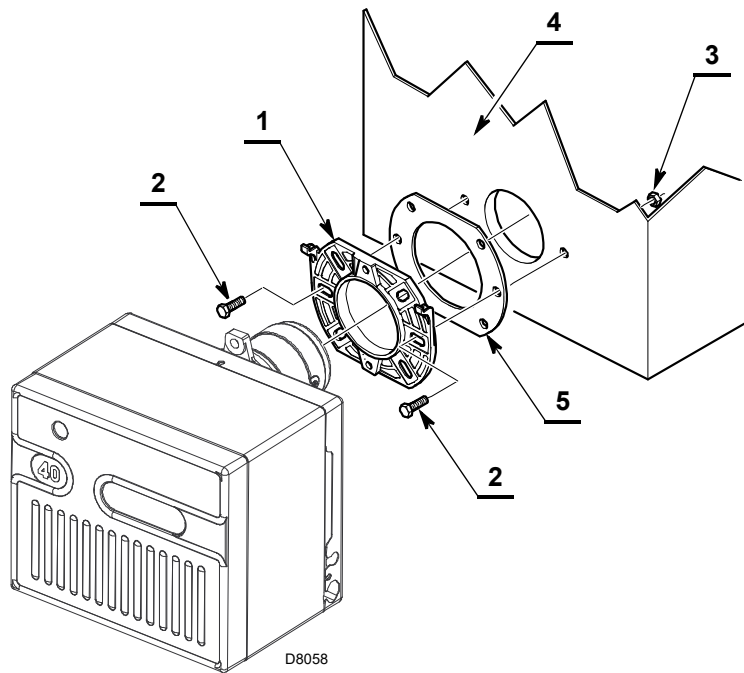


Fig. 9

6 Hydraulic systems

6.1 Fuel supply

The burner is designed to allow entry of the hose-lines on either side of the burner.

6.1.1 Pump

The pump is designed to allow working with one pipe.

In order to obtain two pipes working it is necessary to unscrew the return plug 2)(Fig. 10), screw the by-pass screw 3),supplied as burner equipment and then screw the return hoses.

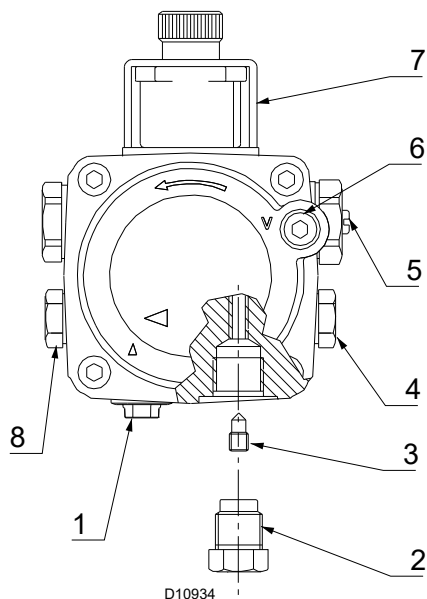


Fig. 10

Key (Fig. 10)

1	Suction line	5	Pressure adjuster
2	Return line	6	Vacuum gauge connection
3	By-pass screw	7	Valve
4	Gauge connection	8	Auxiliary pressure test point



WARNING

Where gas oil containing bio diesel is in use, it is recommended to avoid over oxygenation of the blended fuels.

Where at all possible avoid the use of two pipe systems where the circulated fuel is returned to the tank.

If this cannot be avoided make sure that the return pipe is normally below the surface of the fuel level within the storage tank. See Fig. 13.



WARNING

The suction plug 1) is made of plastic. Once removed, it must not be used again.

In single pipe installations, the plug in the return line 2) must be totally in steel.



WARNING

In case of use with gas oil containing up to 10% Bio blend, it will be essential to use flexible oil lines suitable for bio fuel use.

Please contact Riello for further information.



DANGER

It is strongly recommended a periodic check of the pump pressure operation (annually or better every six months, if the burner operation is continuous).

If the value is lower than 1 bar, compared to that one of the initial setting, please check the cleaning of the pump and line filters.

In case the pressure setting was not restorable, please replace the pump, in order to guarantee that the pump pressure during the pre-purge time is at least 3.7 bar.

6.2 One pipe system

Pressurised one pipe systems (Fig. 11) have a positive fuel pressure on intake to the burner. Usually the tank is higher than the burner, or the fuel pumping systems are on the outside of the boiler.

Vacuum one pipe systems (Fig. 12) have a negative fuel pressure (depression) on intake to the burner. Usually the tank is lower than the burner.



You are advised to use additional filters on the fuel supply line.

Riello recommends a good quality fuel filter at the tank (Fig. 11 - Fig. 12) and a secondary filter (60 μ for gas oil and 15 μ for kerosene) are used to protect the burner pump and nozzle from contamination.

In case of Biodiesel use, pay attention to install Biocompatible filters.

6.2.1 Priming pump

On the system in Fig. 11 it is sufficient to loosen the plug of the vacuum gauge 6)(Fig. 10) and wait until the fuel flows out.

On the system in Fig. 12 start the burner and wait for the priming. Should lock-out occur prior to the arrival of the fuel, await at least 20 seconds before repeating the operation.



The installer must ensure that the supply pressure is not above 0.5 bar.

Above that level, the pump seal is subject to too much stress.

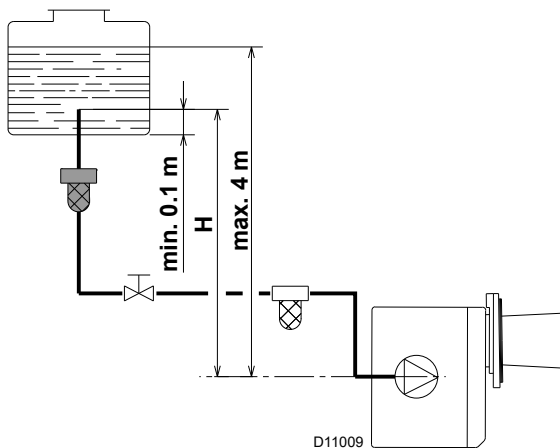


Fig. 11

H metres	L metres	
	I.D. (8 mm)	I.D. (10 mm)
0.5	10	20
1	20	40
1.5	40	80
2	60	100

Tab. B

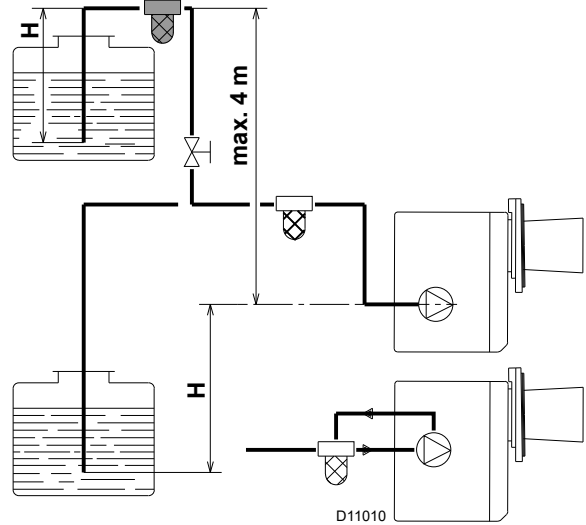


Fig. 12

H metres	L metres	
	I.D. (8 mm)	I.D. (10 mm)
0	35	100
0.5	30	100
1	25	100
1.5	20	90
2	15	70
3	8	30
3.5	6	20

Tab. C

- H** difference of level
- L** max. length of the suction line
- I.D.** internal diameter of the oil pipes

NOTE:

The Tab. B and Tab. C show the maximum approximate lengths for the supply line, depending on the difference in level, length, and the diameter of the fuel conduit.

6.3 Two pipe system

Vacuum two pipe systems (Fig. 13) have a negative fuel pressure (depression) on intake to the burner.

Usually the tank is lower than the burner.

The return line should terminate in the oil tank at the same level as the suction line; in this case a non-return valve is not required.

Should however the return line arrives over the fuel level, the non-return valve is indispensable. This solution however is less safe than previous one, due to the possibility of leakage of the valve.



You are advised to use additional filters on the fuel supply line.

Riello recommends a good quality fuel filter at the tank (Fig. 13) and a secondary filter (60 μ for gas oil and 15 μ for kerosene) are used to protect the burner pump and nozzle from contamination.

In case of Biodiesel use, pay attention to install Biocompatible filters.

6.3.1 Priming pump



Before starting the burner make sure that the return pipe-line is not clogged: any obstruction would cause the pump seals to break.

On the system in Fig. 13 start the burner and wait for the priming. Should lock-out occur prior to the arrival of the fuel, await at least 20 seconds before repeating the operation.



The pump vacuum should not exceed a maximum of 0.4 bar (30 cm Hg). Beyond this limit gas is released from the oil.

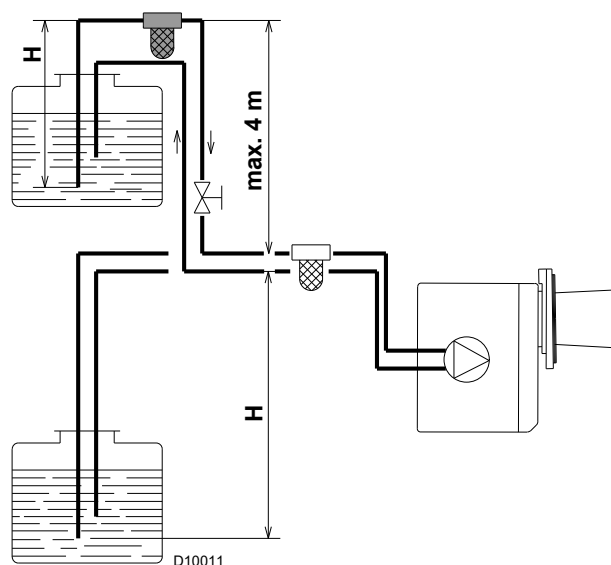


Fig. 13

H metres	L metres	
	I.D. (8 mm)	I.D. (10 mm)
0	35	100
0.5	30	100
1	25	100
1.5	20	90
2	15	70
3	8	30
3.5	6	20

Tab. D

- H difference of level
- L max. length of the suction line
- I.D. internal diameter of the oil pipes

NOTE:

The Tab. D shows the maximum approximate lengths for the supply line, depending on the difference in level, length, and the diameter of the fuel conduit.

7 Electrical system

7.1 Notes on safety for the electrical wiring



DANGER

- The electrical wiring must be carried out with the electrical supply disconnected.
- Electrical wiring must be carried out by qualified personnel and in compliance with the regulations currently in force in the country of destination. Refer to the wiring diagrams.
- The manufacturer declines all responsibility for modifications or connections different from those shown in the wiring diagrams.
- Do not invert the neutral with the phase in the electrical supply line. Any inversion would cause a lockout due to firing failure.
- Check that the electrical supply of the burner corresponds to that shown on the identification label and in this manual.
- The burners have been set for intermittent operation. This means they should compulsorily be stopped at least once every 24 hours to enable the control box to perform checks of its own start-up efficiency. Normally the boiler's thermostat/pressure switch ensures the stopping of the burner.
If this is not the case, it is necessary to apply in series with IN a timer switch that turns off the burner at least once every twenty-four hours. Refer to the wiring diagrams.
- The electrical safety of the device is obtained only when it is correctly connected to an efficient earthing system, made according to current standards. It is necessary to check this fundamental safety requirement. In the event of doubt, have the electrical system checked by qualified personnel.
- The electrical system must be suitable for the maximum input power of the device, as indicated on the label and in the manual, checking in particular that the section of the cables is suitable for the input power of the device.
- For the main power supply of the device from the electricity mains:
 - do not use adapters, multiple sockets or extensions;
 - use an omnipolar switch, as indicated by the current safety standards.
- Do not touch the device with wet or damp body parts and/or in bare feet.
- Do not pull the electric cables.

Before carrying out any maintenance, cleaning or checking operations:



DANGER

disconnect the electrical supply from the burner by means of the main system switch;



DANGER

isolate the fuel supply.

If the cover is still present, remove it and proceed with the electrical wiring according to the wiring diagrams.

Use flexible cables in compliance with the EN 60 335-1 standard.

7.2 Electrical wiring



- Do not swap neutral and phase over, follow the diagram shown carefully and carry out a good earth connection.
- The electrical wiring carried out by the installer must be in compliance with the rules in force in the country.
- The section of the conductors must be at least 1mm². (Unless requested otherwise by local standards and legislation).

The burner is provided with a socket for the direct electrical connection to the boiler's plug (Fig. 14).

Should the boiler be without plug, it is then necessary:

- remove the socket and respective cable mounted on the burner;
- carry out the electrical connection direct to the wiring terminal block of the burner as shown on the diagram Fig. 15.

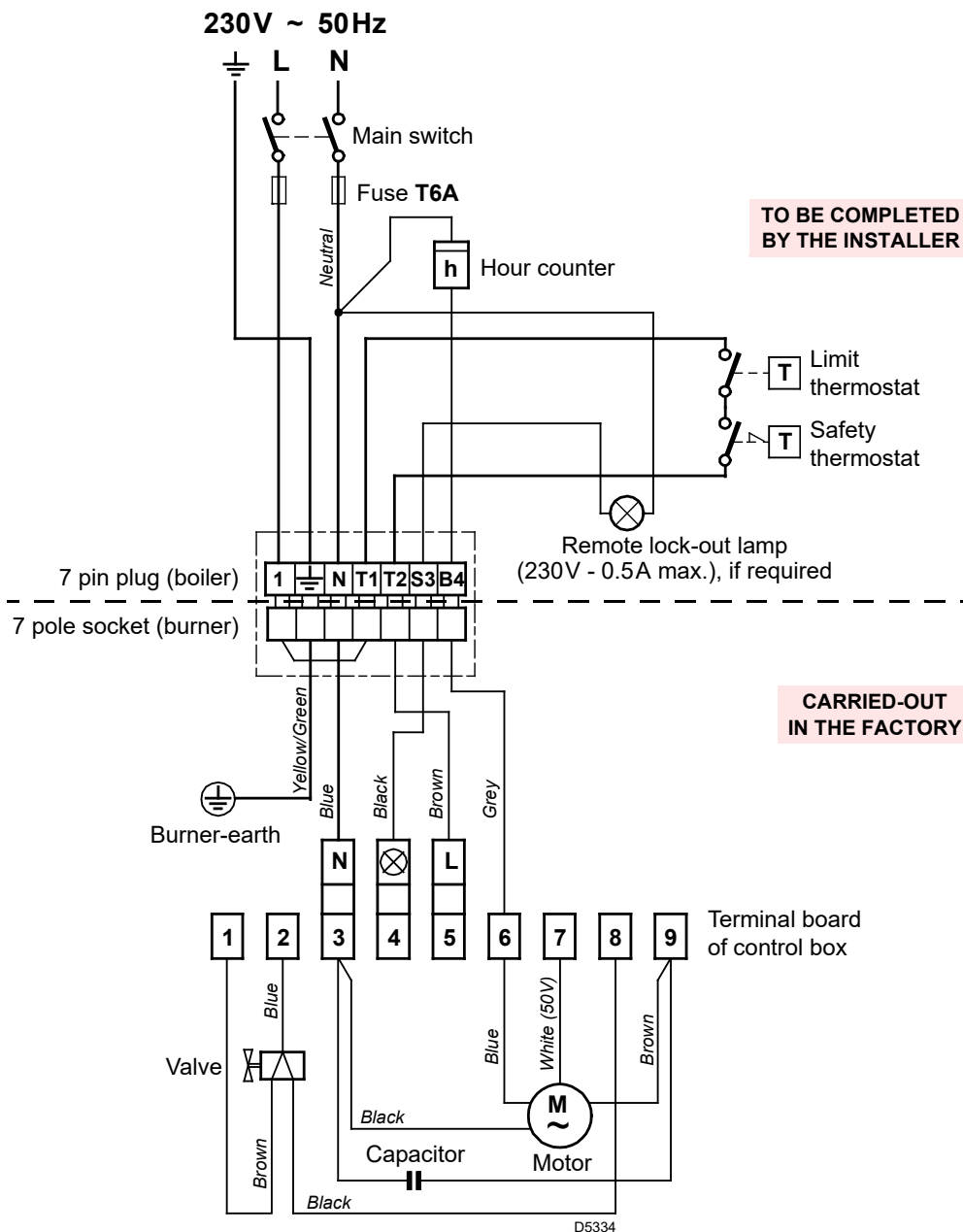


Fig. 14

TESTING

Check the shut-down of the burner by opening the thermostats.

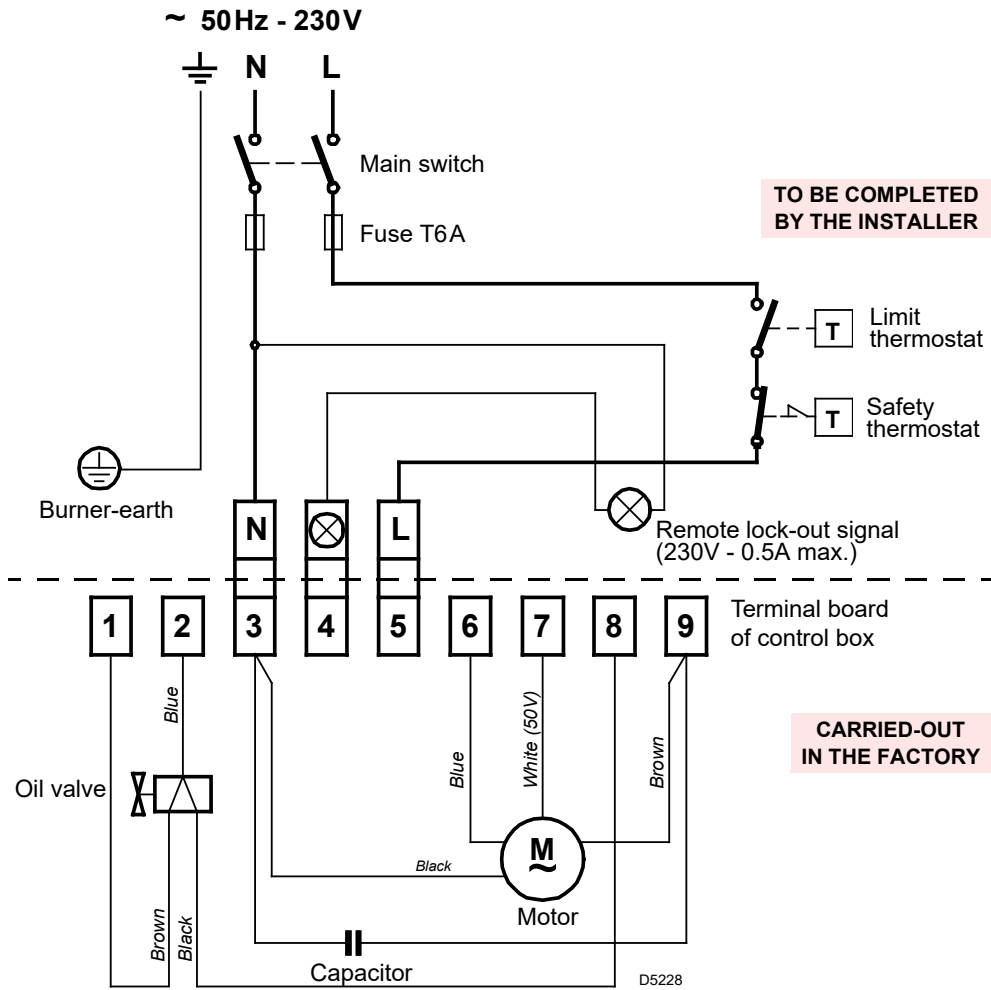


Fig. 15

TESTING

Check the shut-down of the burner by opening the thermostats.

7.2.1 Control box



This operation must be performed with the burner turned off and mains power disconnected.

To remove the control box from the burner, loosen screw A)(Fig. 16) and pull towards the arrow.

Run of the electrical cable (Fig. 16)

- | | | | |
|---|----------------|---|---------------|
| 1 | Grommet | N | Neutral |
| 2 | Cable clamp | L | Phase |
| 3 | Terminal board | ⊕ | Burner-earth |
| | | ⊗ | Lock-out lamp |

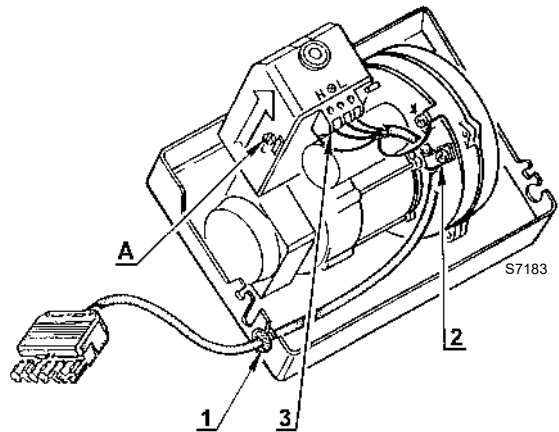


Fig. 16

7.2.2 Flame sensor

The flame sensor (Fig. 17) is fitted directly into the control box (underneath the ignition transformer) on a plug-in support.

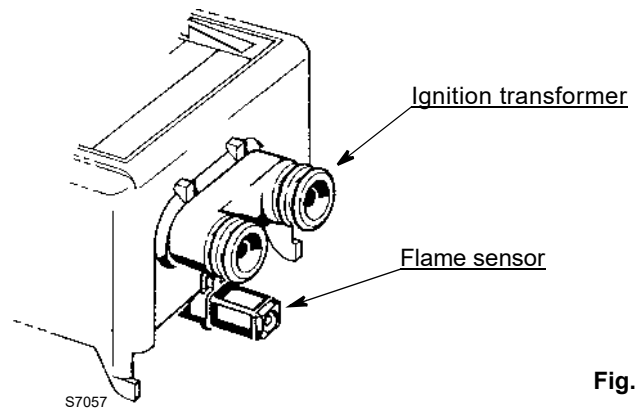


Fig. 17

8 Start-up, calibration and operation of the burner

8.1 Notes on safety for the first start-up



The first start-up of the burner must be carried out by qualified personnel, as indicated in this manual and in compliance with the standards and regulations of the laws in force.



Check the correct working of the adjustment, command and safety devices.

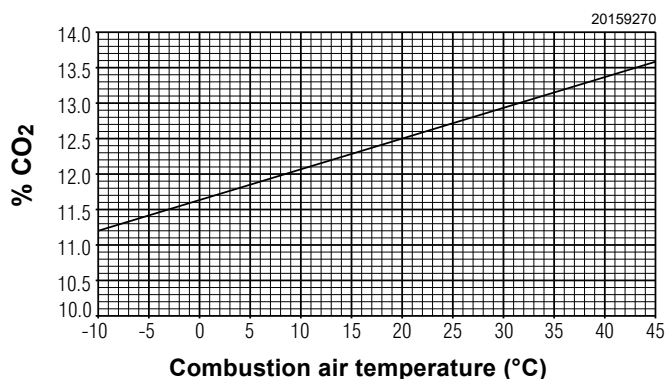
8.2 Combustion adjustment

In conformity with EN 267, the application of the burner on the boiler, adjustment and testing must be carried out observing the instruction manual of the boiler, including verification of the CO and CO₂ concentration in the flue gases, their temperatures and the average temperature of the water in the boiler.



The combustion air is sucked from outside, therefore, there can be sensitive temperature variations that can influence the percentage value of the CO₂. It is advisable to adjust the CO₂ according to the diagram.

For example: with an combustion air temperature of 20°C, adjust the CO₂ to 12.5% (± 0.2%).



The values in Tab. E are refer to 12.5% CO₂, at sea level and with ambient temperature and light oil at 20 ° C.

Fuel	Nozzle		Pump pressure	Burner output	Combustion head adjustment	Air damper adjustment
	GPH	Angle	bar	kg/h ± 4%	Set-point	Set-point
KEROSENE	2.50	60°	9.5	7.95	1	2.3
	2.75	60°	8	8.60	1	2.6
	3.00	60°	8	9.40	1.5	2.9
	3.50	60°	8	10.05	2	3.5
	4.00	60°	8	11.00	2.5	4.0
	4.50	60°	8	12.30	3.5	4.8
	5.00	60°	8	14.60	5	5.8
	5.50	60°	8	16.45	6	6*
GAS OIL	5.50	60°	10	18.10	6	8*
	2.00	60°	12	8.6	1	3
	2.25	60°	12	9.7	1.5	3.2
	2.50	60°	12	10.7	2	3.5
	3.00	60°	12	12.9	2.5	4.3
	3.50	60°	12	15.0	3.5	5.5
	4.00	60°/45°	12	17.2	5	6.5
	4.00	60°/45°	13	17.9	6	7

Fig. 18

Tab. E

(*) Tests carried out without the right side sound damping panel of the burner cover (see Fig. 22 at page 21).

8.3 Nozzles installation

The burner complies with the emission requirements of the EN 267 standard.

In order to guarantee that emissions do not vary, recommended and/or alternative nozzles specified by the manufacturer in the Instruction and warning booklet should be used.



It is advisable to replace nozzles every year during regular maintenance operations.



The use of nozzles other than those specified by the manufacturer and inadequate regular maintenance may result into emission limits non-conforming to the values set forth by the regulations in force, and in extremely serious cases, into potential hazards to people and objects.

The manufacturing company shall not be liable for any such damage arising from nonobservance of the requirements contained in this manual.

8.3.1 Nozzles recommended

Kerosene fuel

- Monarch type R
- Delavan type B - W
- Steinen type S - Q
- Danfoss type S - B

Gas oil fuel

- Monarch type R - PLP
- Delavan type B - W
- Steinen type S - SS
- Danfoss type S - B



For 2.50 - 3.00 GPH nozzles it is advisable to use, if possible, full cones.

Angle: 60° - in most cases. Particularly suited to avoid flame-detachment during ignition.
45° - for narrow and long combustion-chambers.

8.4 Pump pressure

Kerosene fuel

- 8 bar:** the pump leaves the factory set at this value.
- 10 bar:** maximum pressure for kerosene.

Gas oil fuel

- 12 bar:** the pump leaves the factory set at this value.
- 14 bar:** improves flame retention; it is therefore suitable for ignitions at low temperatures.

8.5 Combustion head adjustment

This is done when fitting the nozzle, with the blast tube removed. It depends on the output of the burner and is carried out by rotating the regulating rod, till the terminal plane of the blast tube is level with the set-point, as indicated in the Tab. E.

Exemple: the combustion head is set for an output of:
- 4.50 GPH at 8 bar (for kerosene)
- 3.50 GPH at 12 bar (for gas oil)

The shutter is level with set-point 3.5, as required by the Tab. E. Combustion head settings indicated in the Tab. E are valid for most cases.

The setting of the fan output according to the installation should normally be done only through the air damper.

Should one subsequently want to retouch also the setting of the combustion head, with the burner running, operate on the rod 1)(Fig. 20) with a 6 mm spanner 2) as follows:

TURN TO THE RIGHT: SIGN +

In order to increase the volume of air entering the combustion chamber and thus diminishing its pressure. There is a reduction of CO₂ and the adhesion of the flame to the air diffuser disc improves. (Setting advisable for ignitions at low temperatures).

TURN TO THE LEFT: SIGN -

In order to reduce the volume of air entering the combustion chamber and thus increasing its pressure. The CO₂ improves and the adhesion of the flame to the diffuser tends to reduce. (This setting is not advisable for ignitions at low temperatures).

In any case do not bring the combustion head setting more than one point away from that indicated in the Tab. E.

One set-point corresponds to 3 turns of the rod; a hole 3)(Fig. 20) at its end facilitates counting the number of turns.

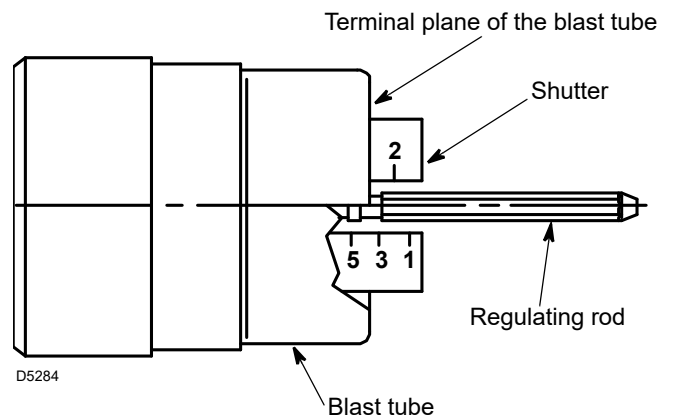


Fig. 19

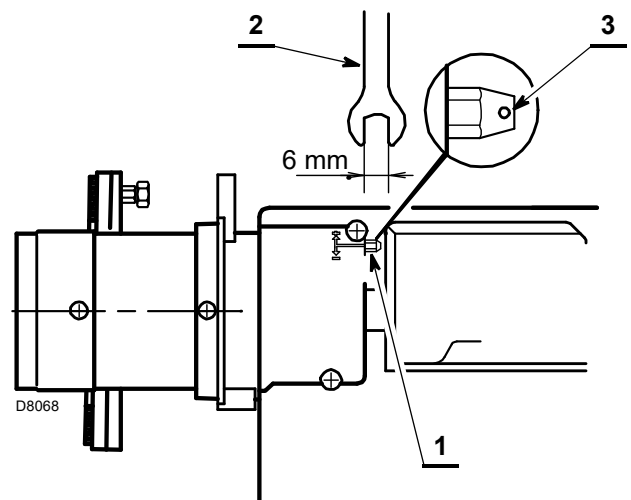


Fig. 20

8.6 Air damper adjustment

The mobile air damper A)(Fig. 21) operated by the jack B) assures the complete opening of the air intake.

The regulation of the air rate is made by adjusting the fixed air damper C), after loosening the screws D).

When the optimal regulation is reached, screw tight the screws D) to assure a free movement of the mobile air damper A).

The settings indicated in the Tab. E refer to the burner with its metal cover fitted and the combustion chamber with "zero" depression.

These regulations are purely indicative.

Each installation however, has its own unpredictable working conditions: actual nozzle output; positive or negative pressure in the combustion-chamber, the need of excess air, etc.

All these conditions may require a different air-damper setting.



WARNING

It is important to take account of the fact that the air output of the fan differs according to whether the burner has its metal cover fitted or not.

Therefore we recommended to proceed as follows:

- adjust the air damper as indicated in the Tab. E;
- mount the cover, simply by means of the upper screw;
- check smoke number;
- should it become necessary to modify the air output, remove the cover by loosening the screw, adjust the air damper, remount the cover and finally recheck the smoke number.

When the burner works at a firing rate higher than 17 kg/h remove the panel 1)(Fig. 22) fitted inside the metal cover.

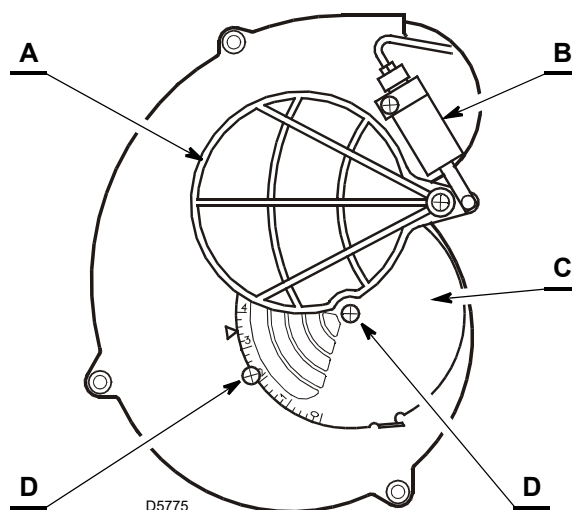


Fig. 21

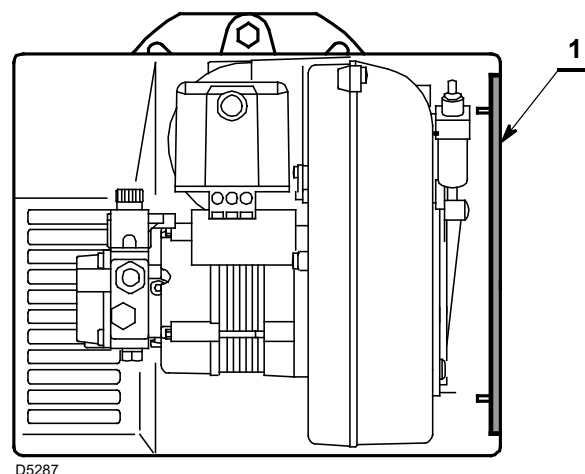


Fig. 22

8.7 Electrode setting



WARNING

The position of the electrodes cannot be regulated. In case of failure, check that the measurements as shown on the figure are respected.

Before removing or assembling the nozzle, loosen the screw A)(Fig. 23) and move the electrodes ahead.

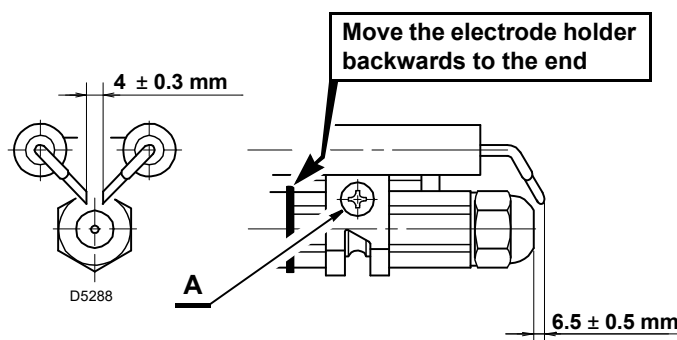


Fig. 23

8.8 Burner start-up cycle

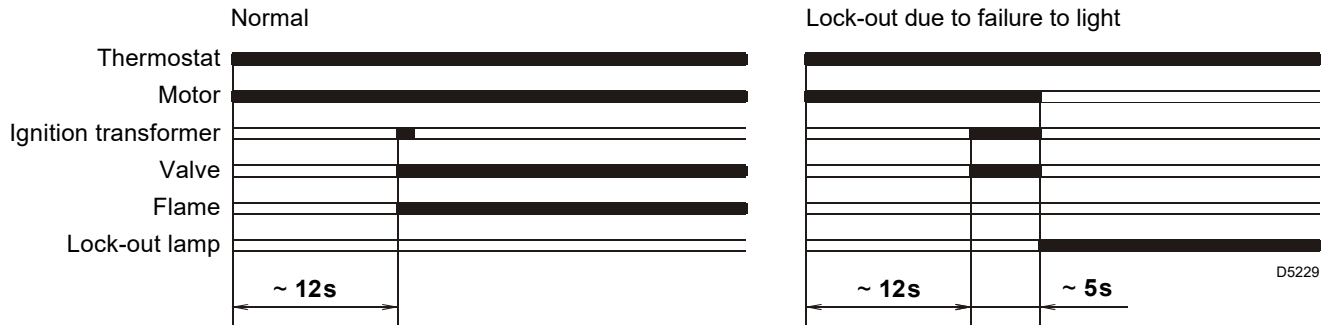


Fig. 24

8.9 Adjustments, to avoid flame - detachment, at burner - ignition (only for gas oil)

CORRECT POSITIONING OF THE ELECTRODES

Refer to Fig. 23 at page 21.

PUMP - SETTING

When the temperature of the gas oil decreases below +5 °C, increase the pressure to 14 bar.

NOZZLE: ATOMIZING ANGLE

Choose 60° nozzle.

COMBUSTION HEAD ADJUSTMENT

Regulate the combustion head one set-point further ahead than indicated in the instructions.

Example: the instructions require to set the combustion-head on set-point 3.5. Instead, the setting is made on set-point 4.5.

FAN - AIR DAMPER ADJUSTMENT

Adjust the damper, reducing the excess air until the Bacharach number is not near 1. (i.e. a combustion with the lowest possible excess-air).

9 Maintenance

9.1 Notes on safety for the maintenance

The periodic maintenance is essential for the good operation, safety, yield and duration of the burner.

It allows you to reduce consumption and polluting emissions and to keep the product in a reliable state over time.



The maintenance interventions and the calibration of the burner must only be carried out by qualified, authorised personnel, in accordance with the contents of this manual and in compliance with the standards and regulations of current laws.

Before carrying out any maintenance, cleaning or checking operations:



disconnect the electricity supply from the burner by means of the main switch of the system;



isolate the fuel supply.

9.2 Maintenance programme

9.2.1 Maintenance frequency

The combustion system should be checked at least once a year by a representative of the manufacturer or another specialised technician.

9.2.2 Maintenance position

Access to the combustion head, diffuser disc / electrodes unit and nozzle (Fig. 25)

- Remove the burner out of the boiler, after loosing the fixing nut to the flange.
- Hook the burner to the flange (1), by removing the combustion head (2) after loosing the fixing screws (3).
- Remove the diffuser disc-holder assembly (9) from the nozzle-holder (8) after loosing its fixing screw.
- Screw the nozzle (10).

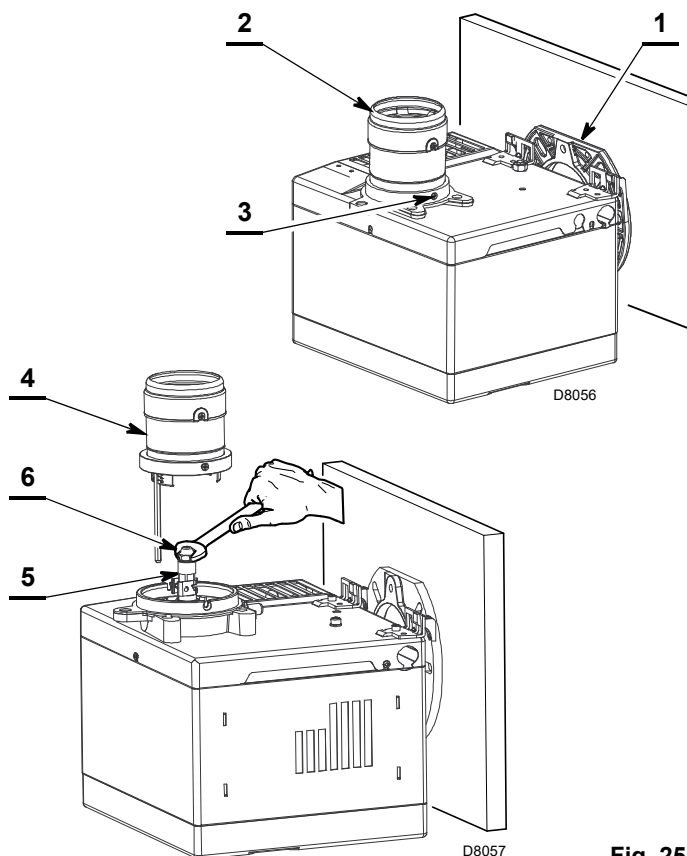


Fig. 25

9.2.3 Checking and cleaning

Combustion head

Open the burner and make sure that all components of the combustion head are in good condition, not deformed by the high temperatures, free of impurities from the surroundings and correctly positioned.

Clean the combustion head in the fuel exit area, on the diffuser disc.

Burner

Check for excess wear or loose screws and clean the outside of the burner.

Fan

Check to make sure that no dust has accumulated inside the fan or on its blades, as this condition will cause a reduction in the air flow rate and provoke polluting combustion.

Flame sensor

Clean the flame sensor.

Electrodes

Check the correct position of electrodes.

Nozzles

It is advisable to replace nozzles every year during regular maintenance operations.

Do not clean the nozzle openings; do not even open them.

Filters

Check the filtering baskets on line and at nozzle present in the system. Clean or replace if necessary.

If rust or other impurities are observed inside the pump, use a separate pump to lift any water and other impurities that may have deposited on the bottom of the tank.

Pump

Delivery pressure must correspond with the table on Tab. E at page 19. Please check that the supply line and filters are clear. The use of a pump vacuum gauge will assist in this. This measure permits the cause of the anomaly to be traced to either the suction line or the pump.

If the problem lies in the suction line, check to make sure that the filter is clean and that air is not entering the piping.

Hoses

- Check periodically the flexible pipes conditions. They have to be replaced at least **every 2 years**.
- In case of use of gas oil and bio fuel blends, it is strongly recommended to inspect **even more frequently** the hoses and replace them where contamination has occurred.
- Check to make sure that the hoses are still in good condition.

**WARNING**

In case of use with gas oil containing up to 10% Bio blend, it will be essential to use flexible oil lines suitable for bio fuel use.

Please contact Riello for further information.

Fuel tank

If water or contamination is present within the fuel tank, it is essential that this is removed before the equipment is to be used. This is extremely important when gas oil containing Bio diesel is in use. If in doubt about how to achieve this then please contact the fuel or oil tank supplier.

Boiler

Clean the boiler as indicated in its accompanying instructions in order to maintain all the original combustion characteristics intact, especially the flue gas temperature and combustion chamber pressure.

Combustion

In case the combustion values found at the beginning of the intervention do not respect the standards in force or, in any case, do not correspond to a proper combustion, contact the Technical Assistant and have him carry out the necessary adjustments.

Allow the burner to work for 10 min. and then check the combustion readings with the parameters indicated within the appliance instruction manual. **Then carry out a combustion check verifying:**

- Smoke temperature at the chimney;
- Content of CO₂ (%);
- Content of CO (ppm);
- Smoke value according to opacity smokes index according to Bacharach scale.

10 **Faults / Solutions**

Here below you can find some causes and the possible solutions for some problems that could cause a failure to start or incorrect operation of the burner.

A fault usually makes the lock-out lamp light which is situated inside the reset button of the control box 8)(Fig. 1 to page 8).

When lock out lamp lights the burner will attempt to light only after pushing the reset button. After this if the burner functions correctly, the lock-out can be attributed to a temporary fault.

If however the lock out continues the cause must be determined and the solution found.

FAULTS	POSSIBLE CAUSES	SOLUTION
The burner will not start when the limit thermostat closes.	Lack of electrical supply.	Check presence of voltage in the L - N clamps of the control box. Check the conditions of the fuses. Check that safety thermostat limit is not lock out.
	The flame sensor sees false light.	Eliminate the light.
	The connections in the control box are wrongly inserted.	Check and connect completely all the plugs.
	The flame sensor is dirty.	Clean it.
Burner runs normally in the prepurge and ignition cycle and locks out after 5 seconds ca.	The flame sensor is defective.	Change it.
	Flame moves away or fails.	Check pressure and output of the fuel.
		Check air output.
		Change nozzle.
Burner starts with an ignition delay.	The ignition electrodes are wrongly positioned.	Adjust them according to the instructions of this manual.
	Air output is too high.	Set the air output.
	Nozzle dirty or worn.	Replace it.



WARNING

The manufacturer cannot accept responsibility for any damage to persons, animals or property due to error in installation or in the burner adjustment, or due to improper or unreasonable use or non observance of the technical instruction enclosed with the burner, or due to the intervention of un-qualified personnel.

1	Déclaration	3
2	Informations et avertissements généraux	4
2.1	Informations sur le manuel d'instructions	4
2.1.1	Introduction	4
2.1.2	Risques généraux	4
2.1.3	Risque: éléments sous tension	4
2.2	Garantie et responsabilité	5
2.3	Directives pour l'utilisation de mélanges de bio-combustibles jusqu'à 10%	5
2.3.1	Informations et instructions générales	6
2.3.2	Déclaration de non-responsabilité	6
3	Sécurité et prévention	7
3.1	Introduction	7
3.2	Avertissements de sécurité	7
3.3	Règles fondamentales de sécurité	7
3.4	Formation du personnel	7
4	Description technique du brûleur	8
4.1	Données techniques	8
4.2	Description du brûleur	8
4.3	Matériel fourni avec le brûleur	8
4.4	Dimensions du brûleur	9
4.5	Plage de travail	9
5	Installation	10
5.1	Notes sur la sécurité pour l'installation	10
5.2	Manutention	10
5.3	Contrôles préliminaires	10
5.4	Notes de l'installateur/du mainteneur pour l'utilisation de mélanges de fioul domestique avec des biocombustibles pouvant atteindre 10%	11
5.5	Position de fonctionnement	11
5.6	Fixation du brûleur à la chaudière	12
6	Installations hydrauliques	13
6.1	Alimentation en combustible	13
6.1.1	Pompe	13
6.2	Système à un seul tuyau	14
6.2.1	Amorçage de la pompe	14
6.3	Système à deux tuyaux	15
6.3.1	Amorçage de la pompe	15
7	Installation électrique	16
7.1	Notes sur la sécurité du câblage électrique	16
7.2	Branchement électrique	17
7.2.1	Boîte de contrôle	18
7.2.2	Capteur flamme	18
8	Démarrage, réglage et fonctionnement du brûleur	19
8.1	Notes sur la sécurité pour le premier démarrage	19
8.2	Régulation de la combustion	19
8.3	Installation des gicleurs	19
8.3.1	Gicleurs recommandés	20
8.4	Pression de la pompe	20
8.5	Réglage de la tête de combustion	20
8.6	Réglage du volet d'air	21

8.7	Réglage de l'électrode	21
8.8	Démarrage du brûleur	22
8.9	Ajustements, pour éviter le décollement de flamme, au démarrage du brûleur (uniquement pour fioul domestique)...	22
9	Entretien	23
9.1	Notes sur la sécurité pour l'entretien	23
9.2	Programme d'entretien	23
9.2.1	Fréquence d'entretien	23
9.2.2	Position d'entretien	23
9.2.3	Contrôle et nettoyage	23
10	Pannes/solutions	25

1 Déclaration**Déclaration de conformité d'après ISO/CEI 17050-1**

Ces produits sont conformes aux Normes Techniques suivantes:

- EN 12100
- EN 267

Conformément aux dispositions des Directives Européennes:

MD	2006/42/CE	Directive Machines
LVD	2014/35/UE	Directive Basse Tension
EMC	2014/30/UE	Compatibilité électromagnétique

La qualité est garantie grâce à un système de qualité et de gestion certifié conforme à ISO 9001:2015.

2 Informations et avertissements généraux

2.1 Informations sur le manuel d'instructions

2.1.1 Introduction

Le manuel d'instructions est fourni avec le brûleur:

- il s'agit d'une partie intégrante et essentielle du produit et il ne doit pas être séparé de celui-ci; Il doit donc être soigneusement conservé pour toute référence postérieure et doit se trouver avec le brûleur même si ce dernier change de propriétaire ou d'utilisateur ou s'il est transféré à un autre système. En cas de perte ou d'endommagement, une nouvelle copie doit être requises au Service technique après-vente de la zone;
- il a été conçu pour être utilisé par du personnel compétent;
- il comprend des indications importantes ainsi que des instructions se rapportant aux mesures de sécurité lors de l'installation ainsi qu'au démarrage, l'utilisation et l'entretien du brûleur.

Symboles utilisés dans le manuel

Des symboles triangulaires de DANGER figurent dans certaines parties du manuel. Leur prêter une attention particulière, vu qu'ils indiquent une situation de danger potentiel.

2.1.2 Risques généraux

Les **dangers** sont classifiés en **3 niveaux**, comme indiqué ci-dessous.



DANGER

Niveau de risque maximum!
Ce symbole se rapporte à des opérations qui, si elles ne s'exécutent correctement, causeront des blessures graves, la mort ou bien des problèmes de santé prolongés.



ATTENTION

Ce symbole se rapporte à des opérations qui, si elles ne s'exécutent correctement, peuvent causer des blessures graves, la mort ou bien des problèmes de santé prolongés.



PRÉCAUTION

Ce symbole se rapporte à des opérations qui, si elles ne s'exécutent correctement, peuvent causer des dégâts à la machine et/ou blesser des personnes.

2.1.3 Risque: éléments sous tension



DANGER

Ce symbole se rapporte à des opérations qui, si elles ne s'exécutent correctement, peuvent provoquer des décharges électriques fatales.

Autres symboles



PROTECTION DE L'ENVIRONNEMENT

Ce symbole fait référence à l'utilisation de la machine vis-à-vis de l'environnement.

- Ce symbole indique une liste.

Abréviations utilisées

Ch.	Chapitre
Fig.	Figure
Page	Page
Sec.	Section
Tab.	Tableau

Livraison du système et du manuel d'instructions

Lors de la livraison du système, il est important que:

- le manuel d'instruction est fourni à l'utilisateur par le fabricant du système, avec la recommandation de le conserver dans la même salle où sera installé le générateur thermique.
- Le manuel d'instructions montre:
 - le numéro de série du brûleur;

.....

- l'adresse et le numéro de téléphone du centre d'assistance le plus proche.

.....

- Le fournisseur du système doit informer l'utilisateur sur:
 - l'utilisation du système;
 - tout essai supplémentaire pouvant s'avérer nécessaire avant de démarrer le système;
 - l'entretien et le besoin de faire contrôler le système au moins une fois par an par un représentant du fabricant ou par un autre technicien spécialisé.
 Afin de garantir les contrôles périodiques, il est recommandé de préparer un contrat d'entretien.

2.2 Garantie et responsabilité

La garantie des produits neufs entre en vigueur à partir de la date d'installation, selon les réglementations et/ou le contrat de vente applicables. Au moment du premier démarrage, contrôler si le brûleur est complet.



ATTENTION

Le non-respect des informations figurant dans ce manuel, toute négligence vis-à-vis du fonctionnement, toute installation incorrecte et modification non autorisée auront pour effet d'annuler la garantie du brûleur.

Les droits de garantie et de responsabilité s'annuleront en cas de dégâts causés aux objets ou de blessures aux personnes, si ces dégâts ou blessures sont attribuables à l'une des causes suivantes:

- installation, démarrage, utilisation et entretien incorrects du brûleur;
- utilisation inappropriée, incorrecte ou déraisonnable du brûleur;
- intervention de personnel non qualifié;
- modifications de l'équipement effectuées sans autorisation;
- utilisation du brûleur avec des dispositifs de sécurité défectueux, incorrectement mis en place et/ou qui ne fonctionnent pas;
- installation d'éléments additionnels non testés sur le brûleur;
- alimentation du brûleur avec des combustibles inappropriés;
- anomalies dans le système d'alimentation en combustible;
- poursuite de l'utilisation du brûleur quand une panne a eu lieu;
- réparations et/ou inspections majeures exécutées de manière incorrecte;
- modification de la chambre de combustion avec des inserts empêchant le développement normal de la flamme établie structurellement;
- surveillance et soins insuffisants ou inappropriés des composants du brûleur les plus enclins à l'usure;
- l'utilisation de composants non originaux, y compris les pièces détachées, kits, accessoires et options;
- les cas de force majeure.

Le constructeur décline également toute responsabilité en cas de non-respect du contenu du présent manuel.

La garantie Riello est assujettie à une utilisation correcte du brûleur, de l'appareil et de l'application et à un réglage conforme aux instructions et directives de Riello. Tous les composants du circuit hydraulique adaptés pour l'utilisation de combustible bio et fournis par Riello seront identifiés comme étant bio-compatibles. Aucune garantie n'est donnée en rapport à l'utilisation de composants n'étant pas ainsi identifiés à des mélanges de biocarburant. En cas de doute, contactez Riello pour d'éventuels conseils.

En cas d'utilisation de brûleurs Riello avec un combustible ayant une teneur en bio > 10%, alors les composants du circuit hydraulique peuvent être affectés et ne sont pas couverts par la garantie. Le circuit hydraulique consiste de:

- Pompe
- Béliet hydraulique (si applicable)
- Bloc vanne
- Tuyaux d'huile flexibles (considérés comme un composant consommable)

- 1 Indépendamment de la garantie fournie par Riello relativement à l'utilisation normale et aux défauts de fabrication, lorsque des combustibles ne satisfaisant pas les normes pertinentes sont utilisés ou lorsque des problèmes de stockage de combustible n'ont pas été correctement traités, ou si l'équipement utilisé n'est pas compatible, si des pannes surviennent qui sont directement ou indirectement attribuées à ces problèmes et/ou au non-respect des présentes directives, aucune garantie ou responsabilité ne sera alors impliquée ou acceptée par Riello.
- 2 Riello a soigneusement choisi la spécification des composants bio-compatibles y compris les lignes d'huile flexibles pour protéger la pompe, la vanne de sécurité et le gicleur. La garantie Riello dépend de l'utilisation de composants originaux Riello, y compris les tuyaux d'huile.
- 3 La garantie Riello ne couvre pas les défauts survenant d'une mise en service ou d'un entretien incorrects par des techniciens de maintenance non employés par Riello et tous les problèmes impactant le brûleur et survenant de problèmes liés au site extérieur.

2.3 Directives pour l'utilisation de mélanges de bio-combustibles jusqu'à 10%

Arrière-plan

Avec l'intérêt croissant envers les exigences des énergies renouvelables et durables, l'utilisation de combustibles bio est destinée à augmenter. Riello s'est engagée à promouvoir la conservation de l'énergie et l'utilisation d'énergies renouvelables à partir de ressources durables comprenant des biocombustibles liquides, toutefois, il existe quelques aspects techniques qui doivent être considérés, lorsqu'il est prévu d'utiliser ces combustibles, afin de réduire le risque potentiel de panne de l'équipement ou les risques de panne de combustible.

Les biocombustibles liquides sont une description générique de l'huile qui peut provenir de nombreuses matières premières, y compris des huiles de cuisson recyclées. Ces types d'huile doivent être considérées et traitées différemment des combustibles fossiles ou minéraux standards, car ils sont généralement plus acides, hydroscopiques et moins stables.

De ce fait, une approche holistique est nécessaire de la spécification du biocombustible liquide, du stockage du combustible, de sa ligne d'alimentation en huile et de son équipement auxiliaire et de manière très importante, la filtration de l'huile et le brûleur lui-même. La spécification pour le combustible liquide FAME (méthylester d'acides gras) est essentielle pour un fonctionnement fiable de l'équipement.

C'est une exigence minimale que le mélange de combustible (jusqu'à 10% de Bio) soit obtenu avec une huile combustible conforme aux normes EN pertinentes, aux réglementations ré-

gionales et à la FAME, conformément à la norme EN 14214. Il est également important que les mélanges de combustibles satisfassent les conditions requises liées aux conditions de l'environnement de travail au sein des normes EN pertinentes.

Lorsque vous choisissez vos produits combustibles Riello, lorsque vous savez que des biocombustibles seront utilisés, assurez-vous qu'un brûleur et/ou des composants biocompatibles ont été fournis. Si un brûleur existant doit être utilisé avec un biocombustible liquide, un kit peut être nécessaire pour le rendre compatible et les notes d'utilisation fournies concernant le stockage de l'huile et la filtration doivent être respectées. L'utilisateur final est responsable de la vérification minutieuse des risques potentiels associés à l'introduction d'un mélange de biocombustible et à l'adaptabilité des appareils et installations applicables.

Indépendamment de la garantie fournie par Riello relativement à l'utilisation normale et aux défauts de fabrication, lorsque des combustibles ne satisfaisant pas les normes pertinentes sont utilisés ou lorsque des problèmes de stockage de combustible n'ont pas été correctement traités, ou si l'équipement utilisé n'est pas compatible, si des pannes surviennent qui sont directement ou indirectement attribuées à ces problèmes et/ou au non-respect des présentes directives, aucune garantie ou responsabilité ne sera alors impliquée ou acceptée par Riello.

2.3.1 Informations et instructions générales

Pour assurer la cohérence, le fournisseur du combustible doit être capable de démontrer la conformité à un système de contrôle qualité et de gestion reconnu pour garantir le maintien de standards élevés dans les processus de stockage, mélange et émission.

L'installation du réservoir de stockage d'huile et de ses équipements auxiliaires doit également être préparée AVANT l'introduction de biocombustible liquide.

Les contrôles et préparations doivent inclure:

- Pour les nouvelles installations, assurez-vous que tous les matériels et joints dans la ligne de stockage et d'alimentation en huile au brûleur sont compatibles avec les biocombustibles. Pour toutes les installations, il doit y avoir un filtre à huile biocompatible de bonne qualité sur le réservoir puis un filtre secondaire de 60 microns qui protège le brûleur de la contamination.
- Si un réservoir de stockage d'huile existant doit être utilisé, alors, en plus des contrôles de matériels tels que détaillés ci-dessus, il sera essentiel que l'état du réservoir soit tout d'abord inspecté et il conviendra de vérifier qu'il ne présente aucune trace d'eau ou d'autre contamination. Riello recommande fortement que le réservoir soit nettoyé et les filtres à huile remplacés avant la fourniture de biocombustible. Dans le cas contraire, du fait de la nature hydroscopique du biocombustible, il nettoiera efficacement le réservoir, absorbera l'eau présente qui à son tour provoquera une panne de l'équipement qui n'est pas couverte par la garantie du fabricant.
- En fonction de la capacité du réservoir de stockage d'huile et de l'utilisation d'huile, les combustibles peuvent rester statiques dans le réservoir pendant un certain temps et ainsi, Riello recommande que le distributeur d'huile soit consulté concernant l'utilisation de biocides supplémentaires dans le combustible pour éviter toute croissance microbienne dans le réservoir. Riello suggère de contacter les fournisseurs de combustibles et/ou les sociétés de service pour obtenir des conseils sur la filtration du combustible. Il convient d'être particulièrement attentifs aux applications de doubles combustibles où l'huile peut être stockée pendant de longues durées.
- Le brûleur doit être réglé selon l'application de l'appareil et mis en service en vérifiant que tous les paramètres de combustion sont comme recommandé dans le manuel technique de l'appareil.
- Riello recommande d'inspecter les filtres de pompe à huile de brûleur et en ligne et si nécessaire de les remplacer au moins tous les 4 mois pendant l'utilisation du brûleur, avant le démarrage du brûleur suite à une longue période d'interruption et encore plus fréquemment lorsque une contamination a eu lieu. Il convient de faire particulièrement attention lors de l'inspection et de la vérification de fuites de combustibles des joints, garnitures et tuyaux.

2.3.2 Déclaration de non-responsabilité

IL CONVIENT DE LIRE MINUTIEUSEMENT LA RENONCIATION SUIVANTE. VOUS ACCEPTEZ ET CONVENEZ D'ÊTRE LIÉS PAR LA PRÉSENTE RENONCIATION EN ACHETANT DES BRÛLEURS ET/OU DES COMPOSANTS BIOCUMPA-TIBLES RIELLO.

Bien que les informations et recommandations (ci-après dénommées «Informations») dans le présent manuel soient présentées en toute bonne foi, considérées comme correctes et bien qu'elles aient été soigneusement vérifiées, Riello (et ses filiales) n'apporte aucune déclaration ni garantie quant à l'exhaustivité ou à la précision des informations. Les informations sont fournies à la condition que les personnes les recevant déterminent elles-mêmes leur adéquation aux objectifs prévus avant l'utilisation. En aucun cas, Riello (et ses filiales) ne sera considérée comme responsable des dommages de quelque nature que ce soit, résultant de l'utilisation ou de la confiance en ces informations.

Sauf indication différente ici, Riello (et ses filiales) n'apporte aucune garantie supplémentaire relativement au brûleur biocompatible, tant expresse qu'implicite, y compris celle relative à la commerciabilité ou à l'adéquation pour un but ou une utilisation.

En aucun cas, Riello (et ses filiales) ne sera responsable de tout dommage indirect, accidentel, spécial ou consécutif y compris, sans limitation, le manque à gagner, les dommages pour manque à gagner professionnel, l'interruption d'activité, la perte d'informations commerciales, la perte d'équipement ou toute autre perte pécuniaire ou compensation pour services, qu'elle soit informée ou non de la possibilité de ces dommages.

À l'exception de lésions aux personnes, la responsabilité de Riello est limitée au droit du client de renvoyer les produits défectueux/non-conformes comme prévu par la garantie du produit correspondant.

3 Sécurité et prévention

3.1 Introduction

Les brûleurs ont été conçus et construits d'après les réglementations et directives en vigueur et en observant les règles de sécurité en matière technique reconnues et en tenant compte des situations de danger potentielles.

Il s'avère nécessaire, cependant, de tenir compte que l'utilisation imprudente et maladroite du matériel peut exposer le personnel ou des tiers à des risques de mort et endommager le brûleur ou d'autres éléments. L'inattention, le manque de prévenance et l'excès de confiance sont souvent à l'origine d'accidents; Cela est également vrai pour la fatigue et la somnolence.

Il est bon de se souvenir des indications suivantes:

- Le brûleur ne doit être utilisé que de la manière expressément décrite ci-dessous. Toute autre utilisation doit être considérée comme inappropriée et donc dangereuse.

En particulier:

cela s'applique aux chaudières fonctionnant avec de l'eau, de la vapeur, du combustible thermoconducteur et d'autres utilisations expressément citées par le fabricant;

le type et la pression de combustible, la tension et la fréquence de l'alimentation électrique, les débits minimaux et maximaux pour lesquels le brûleur a été réglé, la pressurisation de la chambre de combustion, les dimensions de la chambre de combustion et la température de la salle doivent tous se trouver dans la plage des valeurs indiquées dans le manuel d'instructions.

- Les modifications du brûleur pour altérer son rendement et sa destination sont interdites.
- Le brûleur doit être utilisé sous des conditions exemplaires de sécurité en matière technique. Toute perturbation pouvant compromettre la sécurité doit être complètement éliminée.
- L'ouverture ou la manipulation des composants du brûleur sont interdites, exception faite des pièces requérant l'entretien.
- Seules les parties détaillées comme disponibles en tant que pièces détachées par le fabricant peuvent être remplacées.

3.2 Avertissements de sécurité

La dimension de la chambre de combustion de la chaudière doit répondre à des valeurs spécifiques, afin de garantir une combustion avec le taux d'émissions polluantes le plus bas possible.

Le Personnel du Service Technique sera heureux de vous fournir toutes les informations pour une adaptation correcte de ce brûleur à la chaudière.

Ce brûleur ne doit être utilisé pour que l'application pour laquelle il a été conçu.

Le fabricant n'accepte aucune responsabilité au sein ou sans le contrat pour tout dommage provoqué aux personnes, aux animaux et aux biens dû à des erreurs d'installation, de réglage et d'entretien ou à une utilisation impropre.

3.3 Règles fondamentales de sécurité

- Les enfants ou personnes inexpérimentées ne doivent pas utiliser l'appareil.
- Il ne faut en aucun cas couvrir les grilles d'admission, les grilles de dissipation et les aérations dans la salle d'installation avec des tissus, papiers ou tout autre matériau.
- Les personnes non autorisées ne doivent pas tenter de réparer l'appareil.
- Il est dangereux de tirer ou de tordre les fils électriques.
- Des opérations de nettoyage ne doivent pas être effectuées si l'appareil n'est pas déconnecté de l'alimentation générale.
- Ne nettoyez pas le brûleur ou ses composants avec des substances inflammables (par exemple essence, alcool, etc). Le capot doit être nettoyé avec de l'eau savonneuse.
- Ne placez rien sur le brûleur.
- Ne bloquez pas ou ne réduisez pas la taille des aérations dans la salle d'installation.
- Ne laissez pas les récipients et produits inflammables ou matériaux combustibles dans la salle d'installation.

3.4 Formation du personnel

L'utilisateur est la personne, l'organisme ou la société ayant acquis la machine et ayant l'intention d'en faire un usage spécifique. L'utilisateur est responsable de la machine et est chargé de former le personnel la manipulant.

L'utilisateur:

- s'engage à confier la machine exclusivement à du personnel qualifié et convenablement formé;
- il doit prendre toutes les mesures pour empêcher que des personnes non autorisées ne puissent accéder à la machine;
- s'engage à informer son personnel de manière convenable sur l'application et l'observation des instructions de sécurité. Dans ce but, il s'engage à s'assurer que tous connaissent les instructions d'utilisation et de sécurité pour les tâches qui leur incombent;
- l'utilisateur doit informer le fabricant au cas où des défaillances ou des mauvais fonctionnements des systèmes de prévention d'accidents sont détectés. Il en va de même pour toute situation de risque présumée.
- Le personnel doit toujours utiliser l'équipement de protection individuelle prescrit par la loi et suivre les indications figurant dans ce manuel.
- Le personnel doit toujours suivre les indications de précaution et de risque indiquées sur la machine.
- Le personnel ne doit pas réaliser, de sa propre initiative, des tâches ou des interventions qui ne sont pas de son ressort.
- Le personnel est tenu d'informer ses supérieurs sur tout problème ou situation potentiellement dangereuse.
- Le montage de pièces d'autres marques, ou toute modification, peut modifier les caractéristiques de la machine et compromettre ainsi sa sécurité fonctionnelle. Le constructeur décline donc toute responsabilité pour tout dommage qui pourrait être provoqué par l'utilisation de pièces non-originales.

4 Description technique du brûleur

4.1 Données techniques

Type	474T51
Puissance thermique - émission	95 – 213 kW – 8 – 18 kg/h
Combustible	Kérosène, viscosité 1,6 – 6 mm ² /s à 20 °C (Hi = 11,97 kWh/kg) Fioul domestique, viscosité 4 – 6 mm ² /s à 20 °C (Hi = 11,86 kWh/kg) Mélanges de fioul domestique et de biocombustible (FAME conformément à la norme EN 14214) jusqu'à 10%
Alimentation électrique	Monophasé, ~ 50 Hz 230V ± 30 %
Moteur	Courant de fonctionnement 1,3A – 150W – 2750 tr/min – 288 rad/s
Condensateur	5 µF
Transformateur d'allumage	Secondaire 8 kV - 16 mA
Pompe	Pression maximale de kérosène 10 bar (145 psi) Pression maximale de fioul domestique 15 bar (218 psi)
Puissance électrique absorbée	0,32 kW

Tab. A

4.2 Description du brûleur

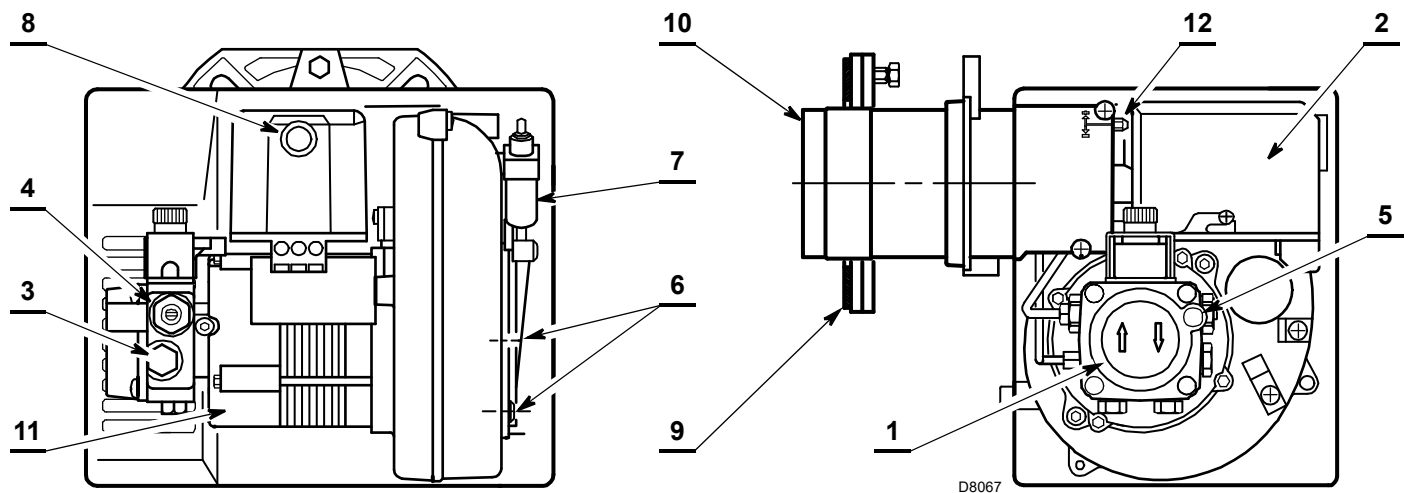


Fig. 1

- | | |
|-----------------------------------|--------------------------------------------|
| 1 Pompe | 7 Vérin hydraulique avec volet d'air |
| 2 Boîte de contrôle | 8 Témoin de blocage et bouton de déblocage |
| 3 Raccord du manomètre | 9 Bride avec écran isolant |
| 4 Régulateur de pression de pompe | 10 Tête de combustion |
| 5 Raccord de vacuomètre | 11 Moteur |
| 6 Vis fixant le volet d'air | 12 Vis de réglage de la tête de combustion |

4.3 Matériel fourni avec le brûleur

- Tuyaux avec raccord..... N. 1
- Bride avec écran isolant..... N. 1
- Vis et écrous pour bride N. 4
- Vis de bypass de pompe..... N. 1
- Fiche 7 pôles..... N. 1
- Presse-étoupe de câble N. 1
- Vis avec deux écrous pour bride..... N. 1
- Ensemble d'entretien N. 1



ATTENTION

En cas d'utilisation avec du fioul domestique contenant jusqu'à 10% de mélange bio, il sera essentiel d'utiliser des conduites d'huile flexibles adaptées pour une utilisation avec un biocombustible.
Merci de contacter Riello pour plus d'informations.

4.4 Dimensions du brûleur

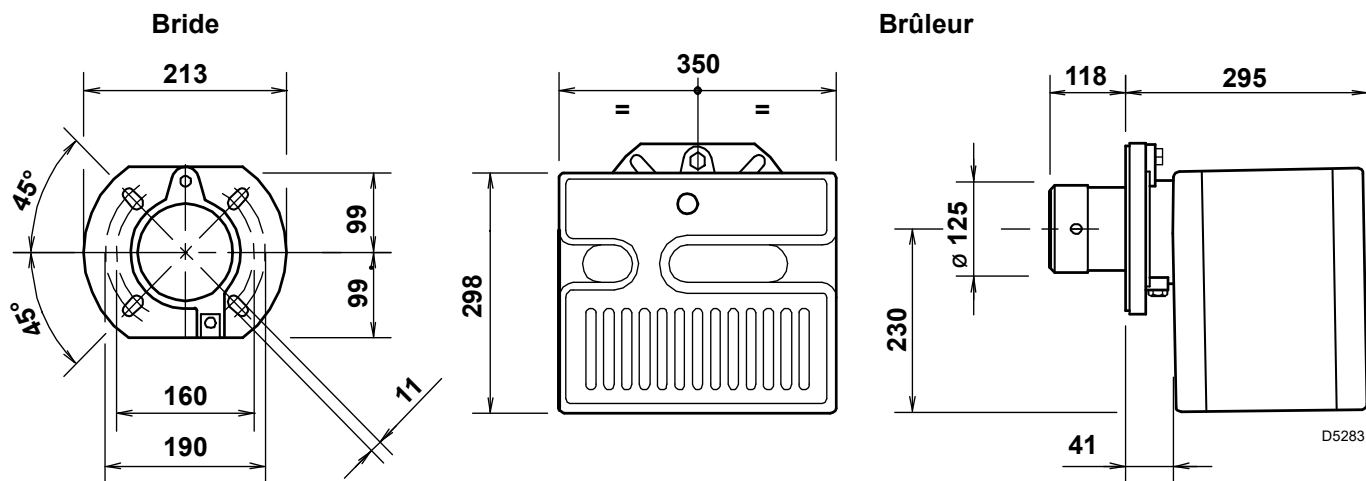


Fig. 2

4.5 Plage de travail

La **PUISSANCE MAXIMALE** est choisie dans la zone du schéma (Fig. 3).

La **PUISSANCE MINIMALE** ne doit pas être inférieure à la limite minimale du schéma.

Le débit du brûleur doit être choisi dans la zone des diagrammes (Fig. 3). Cette zone est appelée plage de travail et fournit la puissance maximale du brûleur relativement à la pression dans la chambre de combustion.

Le point de fonctionnement peut être trouvé en traçant une ligne verticale depuis la puissance souhaitée et une ligne horizontale depuis la pression dans la chambre de combustion. L'intersection de ces deux conduits est le point de fonctionnement qui doit se trouver dans les plages de travail.



Les valeurs de la plage de travail ont été obtenues en considérant une température ambiante de 20 °C, et une pression atmosphérique de 1013 mbar (environ 0 m au dessus du niveau de la mer).

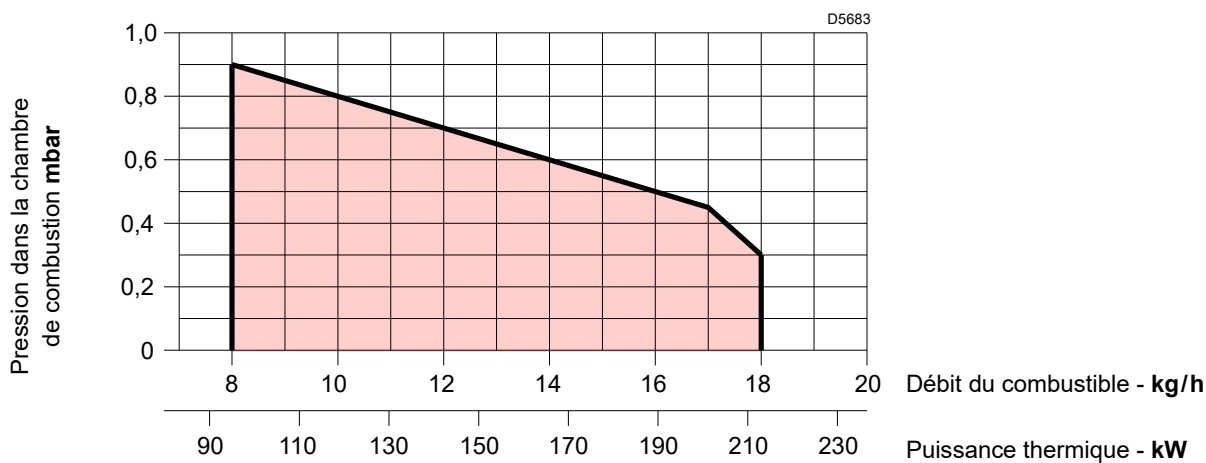


Fig. 3

5 Installation

5.1 Notes sur la sécurité pour l'installation

Après avoir soigneusement nettoyé l'espace où sera installé le brûleur et avoir mis en place l'éclairage correct, continuer avec les opérations d'installation.



Toutes les opérations d'installation, d'entretien et de démontage sont à exécuter lorsque l'alimentation électrique est coupée.



L'installation du brûleur doit être effectuée par du personnel qualifié, comme indiqué dans ce manuel, en conformité avec les normes et réglementations en vigueur.

5.2 Manutention

L'emballage du brûleur comprend une boîte en carton, ainsi, il est possible de déplacer le brûleur (toujours emballé) avec un camion transpalette ou un chariot élévateur à fourches.



ATTENTION

Les opérations de manutention du brûleur peuvent s'avérer extrêmement dangereuses si elles ne sont pas exécutées avec grand soin: Interdire l'accès aux personnes non autorisées; Contrôler l'intégrité et l'adéquation des moyens de manutention disponibles.

Contrôler également que la zone de travail soit vide et qu'elle compte avec une sortie d'urgence adéquate (c'est-à-dire, qu'elle soit libre d'obstacles, sûre et qu'elle permettent de bouger rapidement en cas de chute du brûleur).

Lors de la manutention, maintenir la charge au plus à 20-25 cm du sol.



PRÉCAUTION

Après avoir placé le brûleur près du point d'installation, se débarrasser de tous les emballages résiduels en séparant les différents types de matériaux.

Avant de commencer l'installation, nettoyer avec précaution tout autour de l'emplacement où sera installé le brûleur.

5.3 Contrôles préliminaires

Contrôle de la livraison



PRÉCAUTION

Après avoir retiré les emballages, contrôler que le matériel livré soit au complet. Ne pas utiliser le brûleur en cas de doute; se mettre en contact avec le fournisseur.



Les éléments d'emballage (cage en bois ou boîte en carton, clous, agrafes, sacs en plastiques, etc.) ne doivent pas être laissés sur le site car ils constituent une possible source de danger et de pollution; Ils doivent être ramassés et jetés au rebut dans des sites appropriés.



ATTENTION

La puissance du brûleur doit se trouver dans les limites de la plage de puissance du brûleur;



ATTENTION

Toute étiquette forcée, retirée ou manquante sur le brûleur, ainsi que toute circonstance ne permettant pas d'identifier de manière définitive le brûleur rendent l'installation ou les opérations d'entretien difficiles.

Contrôle des caractéristiques du brûleur

R.B.L.	A		B	
	D	C	D	G
	B	E		
	F			CE
RIELLO S.p.A. I-37045 Legnago (VR)				xxxx

D9370

Fig. 4

Vérifier la plaque d'identification du brûleur, qui doit indiquer:

- le modèle **A**(Fig. 4) et le type de brûleur **B**;
- l'année de fabrication, sous forme cryptographique **C**;
- le numéro de série **D**;
- l'alimentation électrique d'entrée **E**;
- les types de combustible utilisés et les pressions d'alimentation correspondantes **F**;
- les données relatives aux possibilités de puissance minimale et maximales du brûleur **G**(voir plage d'allumage).

5.4 Notes de l'installateur/du mainteneur pour l'utilisation de mélanges de fioul domestique avec des biocombustibles pouvant atteindre 10%

- Pendant l'installation du brûleur, vérifiez que les mélanges de fioul domestique et de biocombustibles sont conformes aux spécifications Riello (consulter les chapitres «Données techniques» et «Guide pour l'utilisation de mélanges de biocombustibles jusqu'à 10%» dans le manuel technique du brûleur).
- Si un mélange bio est utilisé, l'installateur doit rechercher les informations auprès de l'utilisateur final pour savoir si leur fournisseur de combustible est capable de garantir que les mélanges de combustibles se conforment aux normes pertinentes.
- Vérifiez que les matériaux utilisés dans la construction du réservoir d'huile et de l'équipement auxiliaire sont adaptés pour les biocombustibles. Dans le cas contraire, ceux-ci doivent être modernisés ou remplacés par des pièces biocompatibles.
- Il convient de faire particulièrement attention au réservoir de stockage d'huile et à l'alimentation au brûleur. Riello recommande de nettoyer et inspecter les réservoirs de stockage d'huile existants et d'enlever toute trace d'eau AVANT l'introduction de biocombustible (contacter le fabricant du réservoir ou le fournisseur d'huile pour obtenir des conseils). Si ces recommandations ne sont pas respectées, le risque de contamination et de panne possible de l'équipement sera accru.
- En ligne, les filtres à huile doivent être remplacés en vous assurant qu'ils sont biocompatibles. Riello recommande d'utiliser des filtres à huile biocompatibles au niveau du réservoir ainsi qu'un filtre secondaire de 60 microns de bonne qualité, afin de protéger la pompe du brûleur et le gicleur de la contamination.
- Les composants hydrauliques du brûleur et les tuyaux d'huile flexibles doivent être adaptés à une utilisation de biocombustibles (vérifiez avec Riello en cas de doute). Riello a soigneusement choisi la spécification des composants bio-compatibles y compris les lignes d'huile flexibles pour protéger la pompe, la vanne de sécurité et le gicleur. La garantie Riello dépend de l'utilisation de composants originaux Riello, y compris les tuyaux d'huile. Le brûleur doit être mis en service et les paramètres de combustion réglés selon les recommandations du fabricant de l'appareil.
- Vérifiez régulièrement visuellement les signes de fuite d'huile des joints, garnitures et tuyaux.
- Il est fortement recommandé, en cas d'utilisation de biocombustibles, d'inspecter et de remplacer les filtres à huile tous les 4 mois. Plus régulièrement en cas de contamination.
- Pendant des laps de temps prolongés de non fonctionnement et/ou lorsque les brûleurs utilisent de l'huile comme combustible de stand-by, il est fortement recommandé que le brûleur soit mis en fonctionnement pour de courtes périodes au moins tous les trois mois.

5.5 Position de fonctionnement



Le brûleur a été conçu pour fonctionner uniquement dans les positions 1, 2 et 4 (Fig. 5).

L'installation 1 est préférable, puisque c'est la seule opération qui permet d'effectuer des opérations de maintenance comme décrit dans le présent manuel.

L'installation 4 permet d'effectuer des opérations mais pas l'entretien avec une fixation à la chaudière.



Toute autre position pourrait compromettre le fonctionnement correct de l'appareil.

Les installations 3 et 5 sont interdites pour des raisons de sécurité.

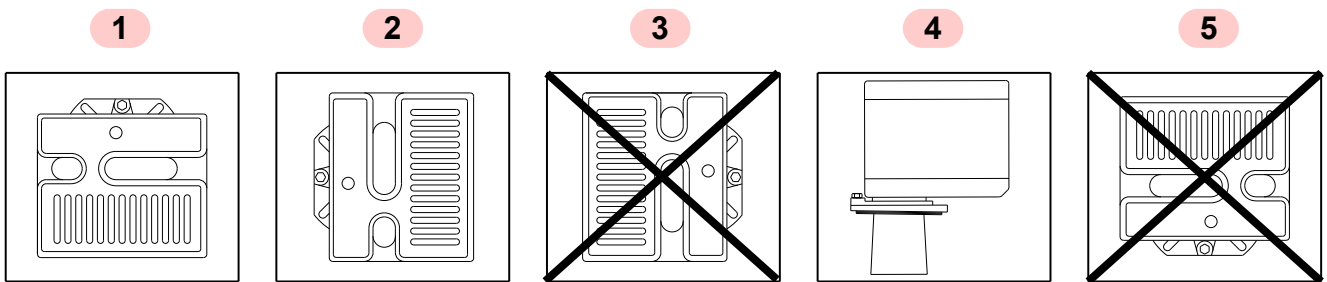


Fig. 5

S10022

5.6 Fixation du brûleur à la chaudière

- Mettre en place la bride 1)(Fig. 6), la vis 2) et deux écrous 3).
- Il est nécessaire que le joint isolant 5)(Fig. 9) soit placé entre la porte de la chaudière et la bride du brûleur.
Si nécessaire, le joint isolant peut être modifié comme indiqué sur la Fig. 7.
- Fixer la bride 1) à la porte de la chaudière 4) en utilisant des vis 2) et (si nécessaire) les écrous 3) en intercalant le joint isolant 5).
- Vérifiez que le brûleur installé soit légèrement incliné vers le bouton (Fig. 8).

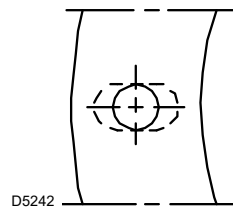


Fig. 7

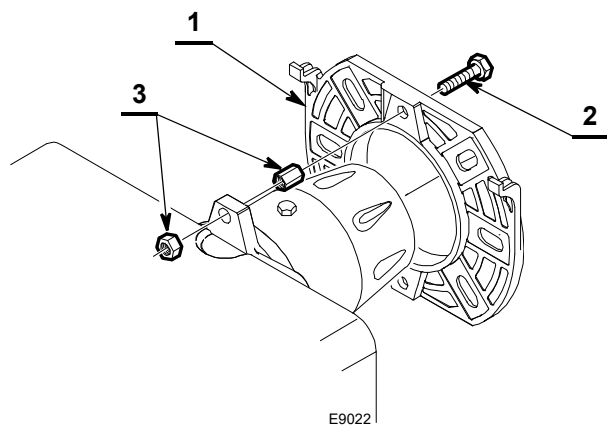


Fig. 6

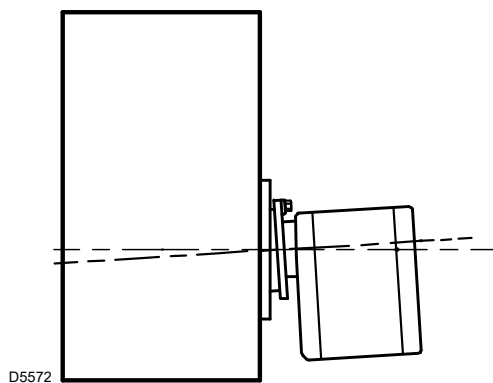


Fig. 8

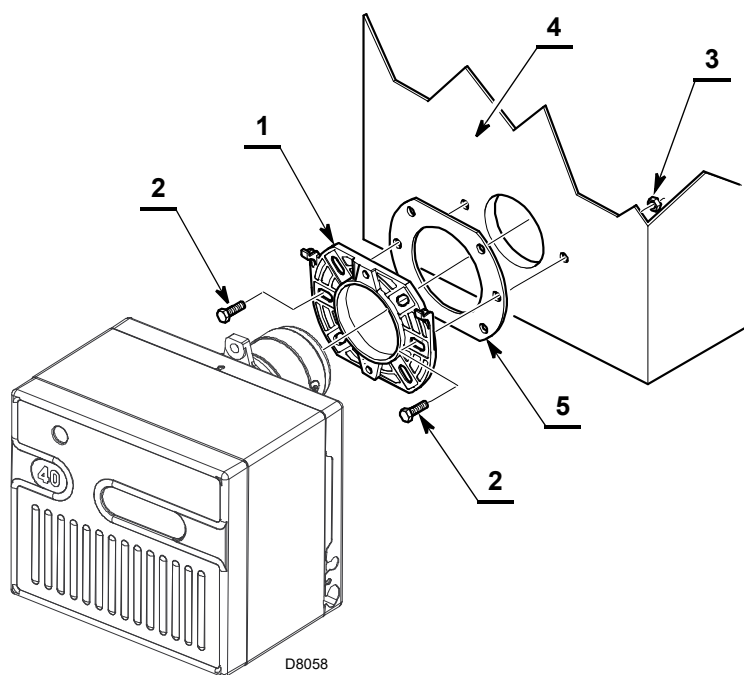


Fig. 9

6 Installations hydrauliques

6.1 Alimentation en combustible

Le brûleur est conçu pour permettre l'entrée des conduits-tuyaux de chaque côté du brûleur.

6.1.1 Pompe

La pompe a été conçue pour fonctionner sur un seul tuyau.

Afin d'obtenir deux conduits en fonctionnement, il est nécessaire de dévisser le bouton de retour 2)(Fig. 10), visser la vis de bypass 3) fournie comme équipement du brûleur, puis visser les tuyaux de retour.

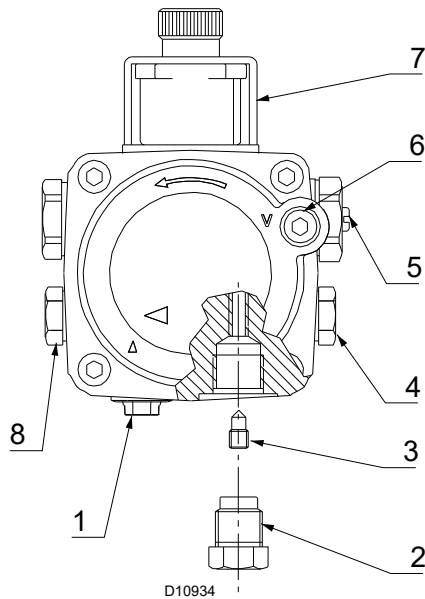


Fig. 10

Légende (Fig. 10)

1	Tube d'aspiration	5	Régulateur de pression
2	Tuyau de retour	6	Raccord de vacuomètre
3	Vis de by-pass	7	Vanne
4	Raccord du manomètre	8	Prise de pression auxiliaire



ATTENTION

En cas d'utilisation de fioul domestique contenant des biodiesel, il est recommandé d'éviter une sur-oxygénation des combustibles mélangés.

Dans la mesure du possible, éviter l'utilisation de deux systèmes de tuyaux, lorsque le combustible en circulation retourne au réservoir.

Si cela ne peut pas être évité, assurez-vous que le tuyau de retour est normalement sous la surface du niveau de combustible dans le réservoir de stockage. Voir la Fig. 13.



ATTENTION

Le bouchon d'aspiration 1) est en plastique. Une fois retiré, il ne doit pas être réutilisé.

Dans des installations à tuyau unique, le bouchon dans le tuyau de retour 2) doit être totalement en acier.



ATTENTION

En cas d'utilisation avec du fioul domestique contenant jusqu'à 10% de mélange bio, il sera essentiel d'utiliser des conduites d'huile flexibles adaptées pour une utilisation avec un biocombustible.

Merci de contacter Riello pour plus d'informations.



DANGER

Une vérification périodique de la pression de la pompe est fortement recommandée (chaque année ou mieux tous les six mois, si le fonctionnement du brûleur est continu).

Si la valeur est inférieure à 1 bar, par rapport à celle du réglage initial, il convient de vérifier le nettoyage de la pompe et des filtres du tuyau.

Si le réglage de la pression n'a pas pu être rétabli, remplacez la pompe, afin de garantir que la pression de la pompe pendant le temps avant-purge soit d'au moins 3,7 bar.

6.2 Système à un seul tuyau

Des systèmes pressurisés à un tuyau (Fig. 11) ont une pression de combustible positive à l'admission du brûleur. Habituellement, le réservoir est plus haut que le brûleur, ou les systèmes de pompage de combustible sont à l'extérieur de la chaudière.

Les systèmes à un tuyau sous vide (Fig. 12) ont une pression de combustible négative (dépression) à l'admission du brûleur. Habituellement, le réservoir est plus bas que le brûleur.



Nous vous conseillons d'utiliser des filtres supplémentaires sur la ligne d'alimentation en combustible.

Riello recommande d'utiliser un filtre à combustible au niveau du réservoir (Fig. 11 - Fig. 12) et un filtre secondaire (60 µ pour fioul domestique et 15 µ pour kérosène) de bonne qualité, afin de protéger la pompe et le gicleur du brûleur de la contamination.

En cas d'utilisation de biocombustible, faites attention à installer des filtres biocompatibles.

6.2.1 Amorçage de la pompe

Sur le système de la Fig. 11, il suffit de desserrer le bouchon du vacuomètre 6 (Fig. 10) et d'attendre que le combustible sorte.

Sur le système de la Fig. 12, démarrez le brûleur et attendez l'amorçage. Si le blocage se produit avant l'arrivée du combustible, attendre 20 secondes avant de répéter l'opération.



L'installateur doit s'assurer que la pression d'alimentation ne dépasse pas 0,5 bar.

Au dessus de ce niveau, le joint de la pompe est soumis à trop de contraintes.

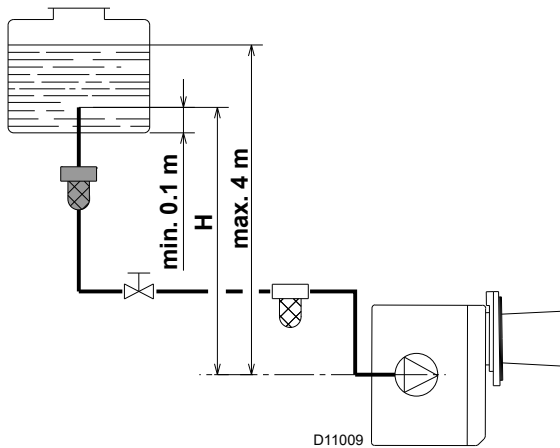


Fig. 11

H mètres	L mètres	
	D.I. (8 mm)	D.I. (10 mm)
0,5	10	20
1	20	40
1,5	40	80
2	60	100

Tab. B

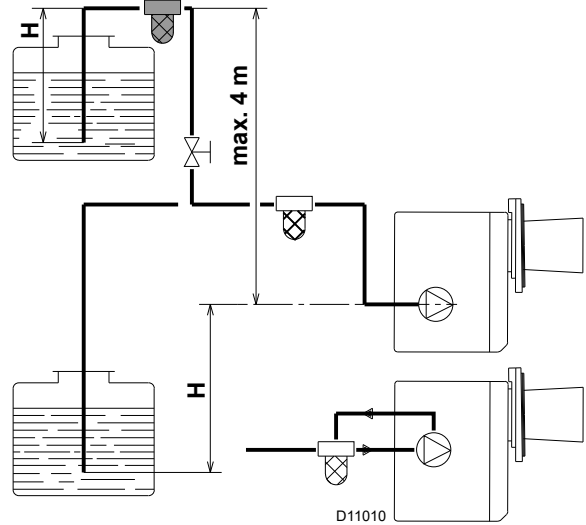


Fig. 12

H mètres	L mètres	
	D.I. (8 mm)	D.I. (10 mm)
0	35	100
0,5	30	100
1	25	100
1,5	20	90
2	15	70
3	8	30
3,5	6	20

Tab. C

H différence de niveau

L longueur maximale du tube d'aspiration

D.I. diamètre interne des tuyaux d'huile

REMARQUES:

Le Tab. B et le Tab. C montrent les longueurs maximales appropriées pour la ligne d'alimentation, en fonction de la différence de niveau, de longueur, du diamètre du conduit de combustible.

6.3 Système à deux tuyaux

Les systèmes sous vide à deux tuyaux (Fig. 13) ont une pression de combustible négative (dépression) à l'admission du brûleur. Habituellement, le réservoir est plus bas que le brûleur.

Le tuyau de retour doit se terminer dans le réservoir d'huile au même niveau que le tube d'aspiration; il n'est pas nécessaire d'utiliser une vanne de non retour dans ce cas là.

Toutefois, si le tuyau de retour arrive au dessus du niveau de combustible, un clapet de non-retour est indispensable. Cette solution est toutefois moins sûre que la solution précédente en raison du risque de fuite de la vanne.



PRÉCAUTION

Nous vous conseillons d'utiliser des filtres supplémentaires sur la ligne d'alimentation en combustible.

Riello recommande d'utiliser un filtre à combustible au niveau du réservoir (Fig. 13) et un filtre secondaire (60 μ pour le fioul domestique et le 15 μ le kérosène) de bonne qualité pour protéger la pompe et le gicleur du brûleur de la contamination.

En cas d'utilisation de biocombustible, faites attention à installer des filtres biocompatibles.

6.3.1 Amorçage de la pompe



ATTENTION

Avant de mettre en marche, assurez-vous que le tuyau de retour n'est pas obstrué: une obstruction pourrait provoquer la rupture des joints de la pompe.

Sur le système de la Fig. 13, démarrez le brûleur et attendez l'amorçage. Si le blocage se produit avant l'arrivée du combustible, attendre 20 secondes avant de répéter l'opération.



ATTENTION

Le vide de la pompe ne doit pas dépasser un maximum de 0,4 bar (30 cm Hg).

Au-delà de cette limite, le gaz de l'huile est libéré.

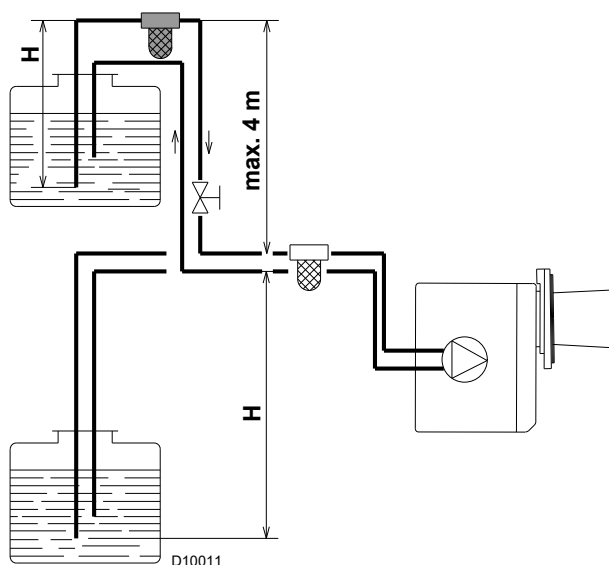


Fig. 13

H mètres	L mètres	
	D.I. (8 mm)	D.I. (10 mm)
0	35	100
0,5	30	100
1	25	100
1,5	20	90
2	15	70
3	8	30
3,5	6	20

Tab. D

H différence de niveau
L longueur maximale du tube d'aspiration
D.I. diamètre interne des tuyaux d'huile

REMARQUES:

Le Tab. D montre les longueurs maximales approximatives pour le tuyau d'alimentation, en fonction de la différence de niveau, de longueur et du diamètre du conduit de combustible.

7 Installation électrique

7.1 Notes sur la sécurité du câblage électrique



DANGER

- Le branchement électrique doit être effectué avec l'alimentation électrique coupée.
- Le branchement électrique doit être effectué par du personnel qualifié et en observant les réglementations actuellement en vigueur dans le pays de destination. Se référer aux schémas électriques.
- Le fabricant décline toute responsabilité vis-à-vis de toute modification ou connexion ne correspondant pas à celles qui figurent dans les schémas électriques.
- Ne pas inverser le conducteur neutre avec la phase dans la ligne d'alimentation électrique. Toute inversion pourrait causer un blocage en raison d'une défaillance dans l'allumage.
- Contrôler si l'alimentation électrique du brûleur correspond à celle figurant sur l'étiquette d'identification et dans ce manuel.
- Les brûleurs doivent être réglés pour le fonctionnement intermittent. Cela signifie qu'ils doivent obligatoirement être arrêtés au moins toutes les 24 heures, afin de permettre au bloc actif de vérifier l'efficacité de démarrage. En général, le thermostat ou le pressostat de la chaudière assurent l'arrêt du brûleur. Dans le cas contraire, il faut monter dans les séries avec IN un interrupteur horaire qui arrête le brûleur au moins toutes les 24 heures. Se référer aux schémas électriques.
- La sécurité électrique du dispositif n'est assurée que lorsque ce dernier est convenablement connecté à un système de mise à la terre efficace installé selon les normes en vigueur. Il est impératif de vérifier cette exigence de sécurité fonctionnelle fondamentale. En cas de doute, confier le contrôle de l'installation électrique à du personnel qualifié.
- Le système électrique doit être approprié vis-à-vis de la puissance d'entrée maximale du dispositif, tel qu'indiqué sur l'étiquette et dans ce manuel. Contrôler tout particulièrement que la section des câbles convienne à la puissance d'entrée du dispositif.
- Pour ce qui est de l'alimentation électrique principale du dispositif depuis le réseau:
 - ne pas utiliser d'adaptateurs, de prises de courant multiples ou de rallonges;
 - utiliser un interrupteur omnipolaire comme indiqué par les normes de sécurité actuelles.
- Ne pas toucher le dispositif pieds-nus ou avec des parties du corps humides ou mouillées.
- Ne pas tirer les câbles électriques.

Avant de réaliser les opérations d'entretien, de nettoyage ou de contrôle:



DANGER

couper l'alimentation électrique du brûleur grâce à l'interrupteur principal du système;



DANGER

isoler l'alimentation en combustible.

Si le couvercle est encore présent, l'enlever et procéder au câblage électrique selon les schémas électriques.

Utiliser des câbles flexibles conformes à la norme EN 60 335-1.

7.2 Branchement électrique



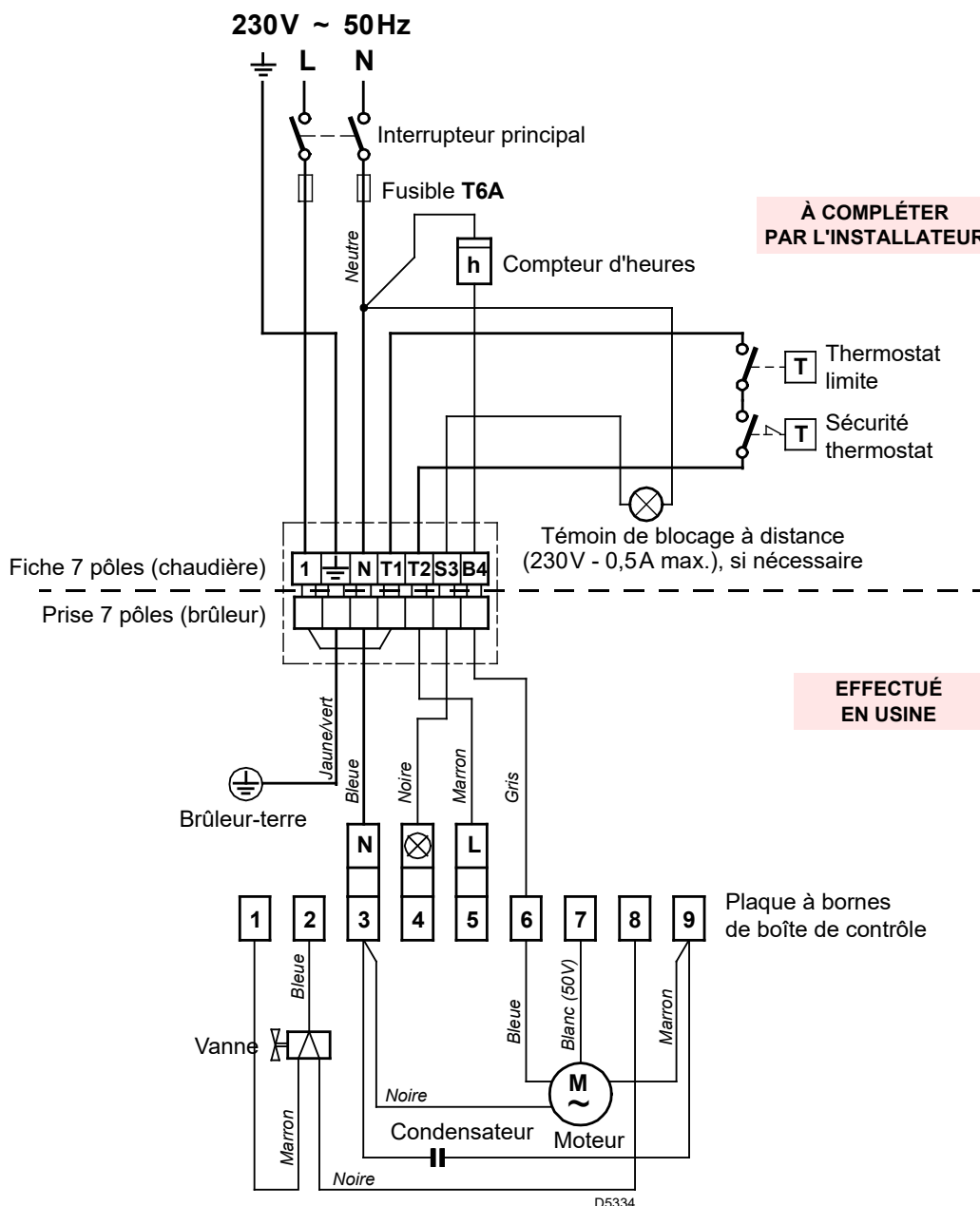
ATTENTION

- N'échangez jamais le neutre et la phase, suivez le diagramme indiqué minutieusement et réalisez une bonne mise à la terre.
- Le câblage électrique réalisé par l'installateur doit être conforme aux règles en vigueur dans le pays.
- La section des conducteurs doit être d'au moins 1mm². (sauf indications différentes prévues par les normes et les lois locales).

Le brûleur est doté d'une prise pour la connexion électrique directe à la fiche de la chaudière (Fig. 14).

Si la chaudière est sans fiche, il est alors nécessaire:

- d'enlever la prise et le câble respectif montés sur le brûleur;
- réaliser le branchement électrique directement au bornier du brûleur, comme indiqué sur le diagramme Fig. 15.



**À COMPLÉTER
PAR L'INSTALLATEUR**

**EFFECTUÉ
EN USINE**

Fig. 14

ESSAI

Vérifiez l'arrêt du brûleur en ouvrant les thermostats.

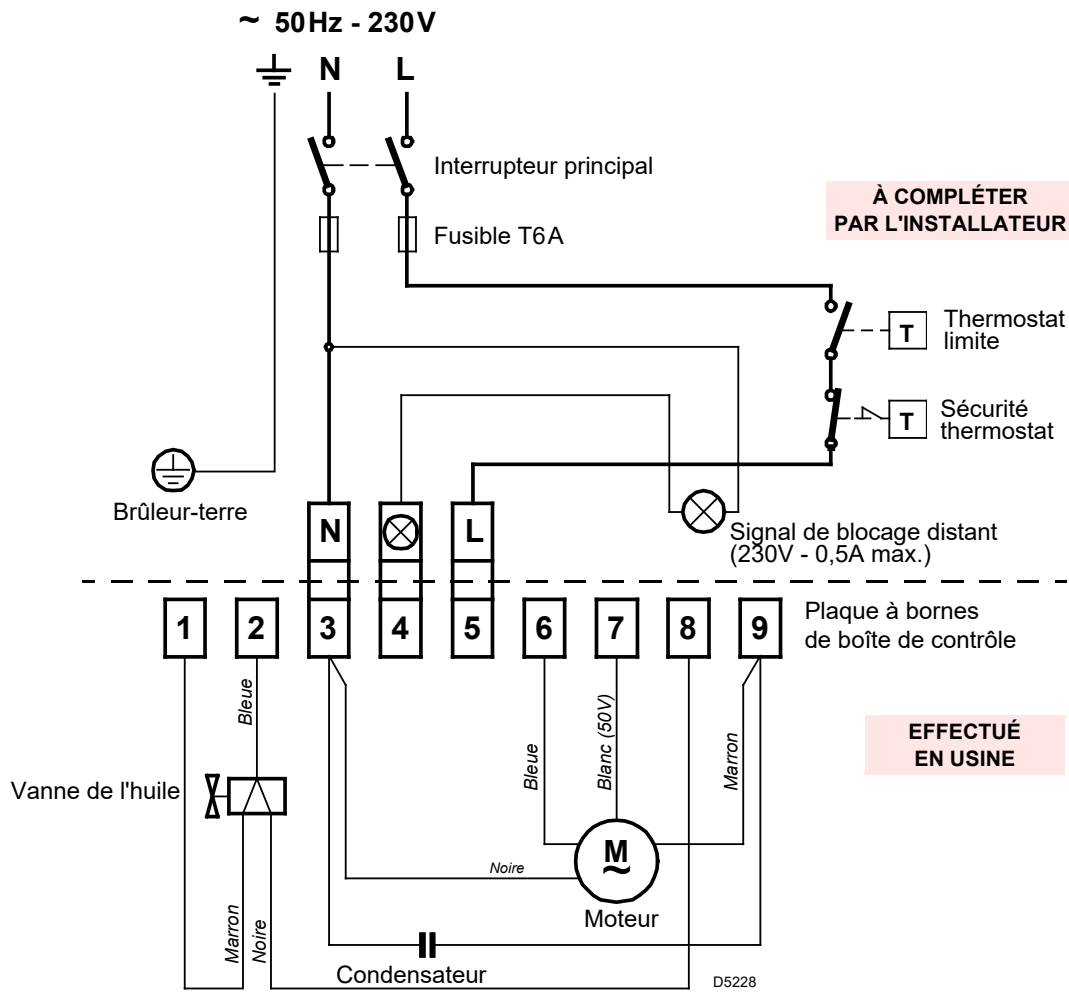


Fig. 15

ESSAI

Vérifiez l'arrêt du brûleur en ouvrant les thermostats.

7.2.1 Boîte de contrôle



Cette opération doit être réalisée avec le brûleur éteint et l'alimentation électrique débranchée.

Pour enlever la boîte de contrôle du brûleur, desserrez la vis A)(Fig. 16) et tirez dans le sens de la flèche.

Chemin du câble électrique (Fig. 16)

- | | | | |
|---|-------------------|---|-------------------|
| 1 | Neutre | N | Neutre |
| 2 | Phase | L | Phase |
| 3 | Brûleur-terre | ⊕ | Brûleur-terre |
| | Témoin de blocage | ⊗ | Témoin de blocage |

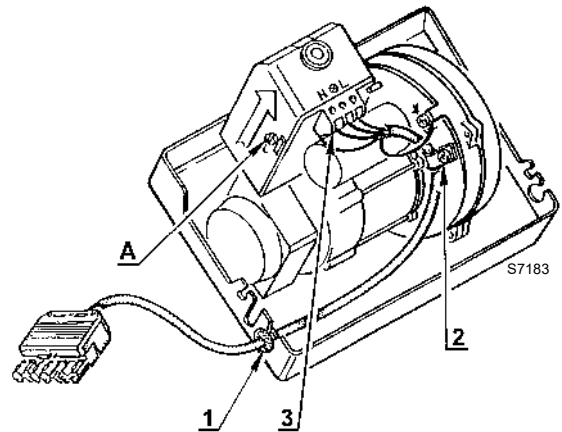


Fig. 16

7.2.2 Capteur flamme

Le capteur flamme (Fig. 17) est installée directement dans la boîte de contrôle (sous le transformateur d'allumage) sur un support de connexion.

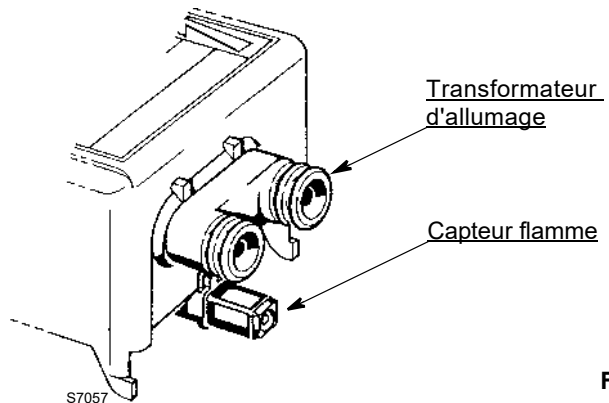


Fig. 17

8 Démarrage, réglage et fonctionnement du brûleur

8.1 Notes sur la sécurité pour le premier démarrage



Le premier démarrage du brûleur doit être effectué par du personnel qualifié, comme indiqué dans ce manuel, en conformité avec les normes et réglementations en vigueur.



Contrôler si les dispositifs de sécurité, de contrôle et de réglage fonctionnent correctement.

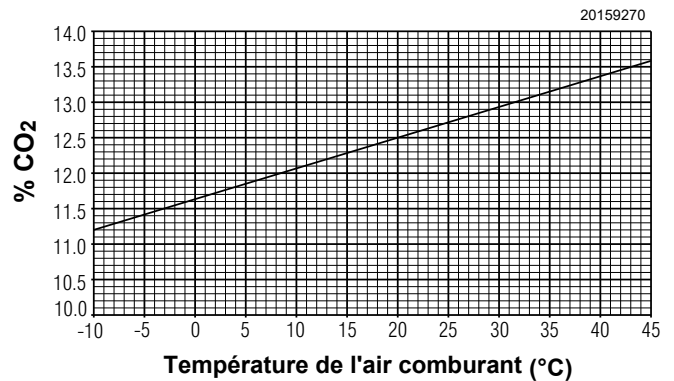
8.2 Régulation de la combustion

Conformément à la EN 267, suivre les indications du manuel de la chaudière pour monter le brûleur, effectuer le réglage et l'essai, contrôler la concentration de CO et CO₂, dans les fumées, leur température et celle moyenne de l'eau de la chaudière.



L'air comburant est aspiré de l'extérieur ce qui fait qu'il peut y avoir des variations sensibles de la température qui peuvent influencer la valeur en pourcentage de CO₂. Il est conseillé de régler le CO₂ sur la base du graphique reporté.

Ex: température comburant de l'air égale à 20 °C, régler le CO₂ à 12,5% (± 0,2%).



Les valeurs dans le Tab. E sont référées à 12,5% de CO₂, au niveau de la mer et avec une température ambiante et du fioul de 20 °C.

Température de l'air comburant (°C)

Fig. 18

Combustible	Gicleurs		Pression de la pompe	Puissance du brûleur	Réglage de la tête de combustion	Réglage du volet d'air
	GPH	Angle	bar	kg/h ± 4%	Point de consigne	Point de consigne
KÉROSÈNE	2,50	60°	9,5	7,95	1	2,3
	2,75	60°	8	8,60	1	2,6
	3,00	60°	8	9,40	1,5	2,9
	3,50	60°	8	10,05	2	3,5
	4,00	60°	8	11,00	2,5	4,0
	4,50	60°	8	12,30	3,5	4,8
	5,00	60°	8	14,60	5	5,8
	5,50	60°	8	16,45	6	6*
	5,50	60°	10	18,10	6	8*
FIOUL	2,00	60°	12	8,6	1	3
	2,25	60°	12	9,7	1,5	3,2
	2,50	60°	12	10,7	2	3,5
	3,00	60°	12	12,9	2,5	4,3
	3,50	60°	12	15,0	3,5	5,5
	4,00	60°/45°	12	17,2	5	6,5
	4,00	60°/45°	13	17,9	6	7

Tab. E

(*) Tests réalisés sans le panneau insonorisant côté droit du capot de brûleur (voir Fig. 22 à la page 21).

8.3 Installation des gicleurs

Le brûleur est en conformité avec les prescriptions d'émission de la norme EN 267.

Pour s'assurer que les émissions ne varient pas, il faut utiliser les gicleurs recommandés et/ou alternatifs indiqués par le fabricant dans le manuel d'instructions et d'avertissements.



Il est recommandé de remplacer les gicleurs une fois par an à l'occasion des opérations d'entretien normales.



L'utilisation de gicleurs différents de ceux spécifiés par le fabricant et un entretien régulier inapproprié peuvent déterminer la non-conformité des limites d'émission avec les valeurs établies par les réglementations en vigueur, et dans des cas extrêmement graves, entraîner des risques potentiels pour les personnes et les objets.

Le fabricant décline toute responsabilité pour tout dégât causé par l'inobservance des prescriptions contenues dans ce manuel.

8.3.1 Gicleurs recommandés

Combustible kérosène

- Monarch type R
- Delavan type B - W
- Steinen type S - Q
- Danfoss type S - B

Combustible fioul domestique

- Monarch type R - PLP
- Delavan type B - W
- Steinen type S - SS
- Danfoss type S - B



ATTENTION

Pour des gicleurs de 2,50 - 3,00 GPH, il est conseillé d'utiliser, si possible, des cônes pleins.

Angle: 60°- dans la plupart des cas. Particulièrement adapté pour éviter le décollement de flamme pendant l'allumage.
45°- pour des chambres de combustion étroites et longues.

8.4 Pression de la pompe

Combustible kérosène

- 8 bar:** c'est la valeur à laquelle la pompe est réglée à la sortie de l'usine.
- 10 bar:** pression maximale pour le kérosène.

Combustible fioul domestique

- 12 bar:** c'est la valeur à laquelle la pompe est réglée à la sortie de l'usine.
- 14 bar:** améliore la rétention de flamme; elle est donc adaptée pour des allumages à basses températures.

8.5 Réglage de la tête de combustion

Cela est effectué lors de l'installation du gicleur, avec le tube pare-flammes enlevé. Il dépend de la puissance du brûleur et est effectué en tournant la bride de régulation, jusqu'à ce que le plan d'extrémité du tube pare-flammes soit au niveau du point de consigne, comme indiqué dans le Tab. E.

Exemple: la tête de combustion est réglée pour une puissance de:
- 4,50 GPH à 8 bar (pour le kérosène)
- 3,50 GPH à 12 bar (pour le fioul domestique)

L'obturateur est au niveau du point de consigne 3.5, comme requis par le Tab. E.

Les réglages de la tête de combustion indiqués dans le Tab. E sont valables pour la plupart des cas.

Le réglage de la puissance du ventilateur selon l'installation devrait normalement être effectué uniquement à travers le volet d'air.

Si vous souhaitez ensuite retoucher également le réglage de la tête de combustion, avec le brûleur en fonctionnement, faites fonctionner la tige 1)(Fig. 20) avec une clé de 6 mm 2) comme suit:

TOURNER À DROITE: SIGNE +

Afin d'augmenter le volume d'air entrant dans la chambre de combustion et donc en diminuant sa pression. Il y a une réduction de CO₂ et l'adhésion de la flamme à l'accroche flamme à air s'améliore. (Réglage conseillé pour des allumages à basses températures).

TOURNER À GAUCHE: SIGNE -

Afin de réduire le volume d'air entrant dans la chambre de combustion, et donc en augmentant sa pression. Le CO₂ est amélioré et l'adhésion de la flamme au diffuseur tend à se réduire. (Ce réglage n'est pas conseillé pour des allumages à basses températures).

Le réglage de la tête de combustion ne doit jamais différer de plus d'un point de celui indiqué dans le Tab. E.

Un point de consigne correspond à 3 tours de la tige; un trou 3)(Fig. 20) à son extrémité facilite le décompte du nombre de tours.

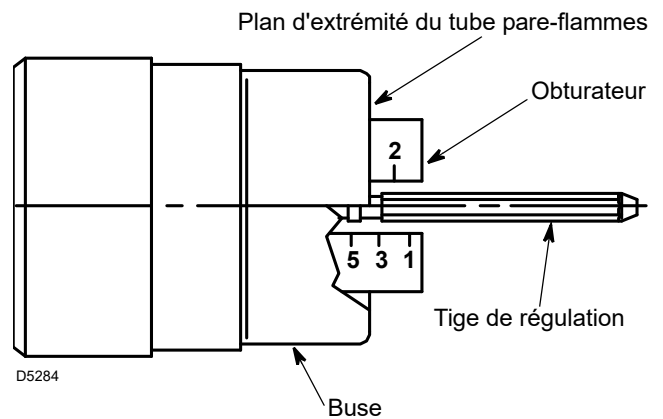


Fig. 19

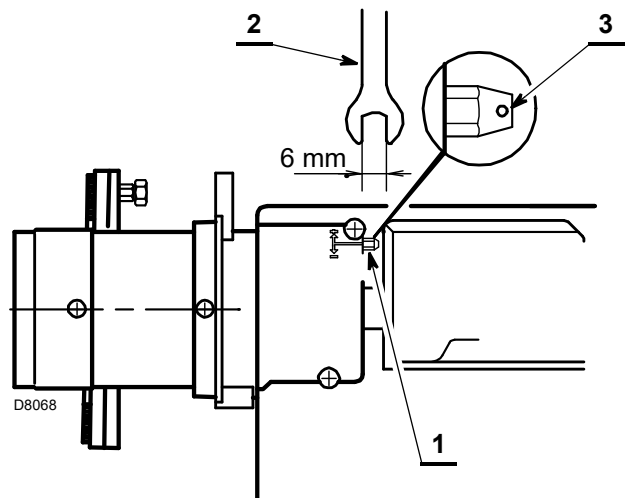


Fig. 20

8.6 Réglage du volet d'air

Le volet d'air mobile A)(Fig. 21) actionné par le vérin B) assure l'ouverture complète de la prise d'air.

La régulation de la vitesse de l'air s'effectue en réglant le volet d'air fixe C), après avoir desserré les vis D).

Quand la régulation optimale est atteinte, vissez fortement les vis D) pour assurer un mouvement libre du volet d'air mobile A).

Les réglages indiqués dans le Tab. E se réfèrent au brûleur avec son capot métallique installé et la chambre de combustion avec une dépression «zéro».

Ces réglementations sont purement indicatives.

Chaque installation présente des conditions de fonctionnement propres et imprévisibles: Puissance réelle du gicleur; pression positive ou négative dans la chambre de combustion, besoin d'air excessif, etc.

Toutes ces conditions peuvent nécessiter un réglage de volet d'air différent.



ATTENTION

Il est important de tenir compte du fait que la sortie d'air du ventilateur diffère selon que le brûleur a son capot métallique installé ou non.

Donc, nous recommandons de procéder comme suit:

- ajuster le volet d'air comme indiqué dans le Tab. E;
- monter le capot, simplement au moyen de la vis supérieure;
- vérifiez le numéro de fumée;
- s'il devient nécessaire de modifier la sortie d'air, enlevez le capot en desserrant la vis, ajustez le volet d'air, remontez le capot et enfin revérifiez le numéro de fumée.

Quand le brûleur fonctionne dans une plage de travail supérieure à 17 kg/h enlevez le panneau 1)(Fig. 22) installé à l'intérieur du capot métallique.

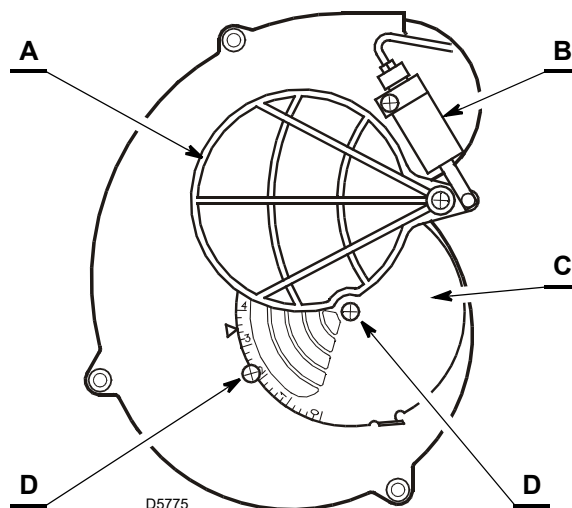


Fig. 21

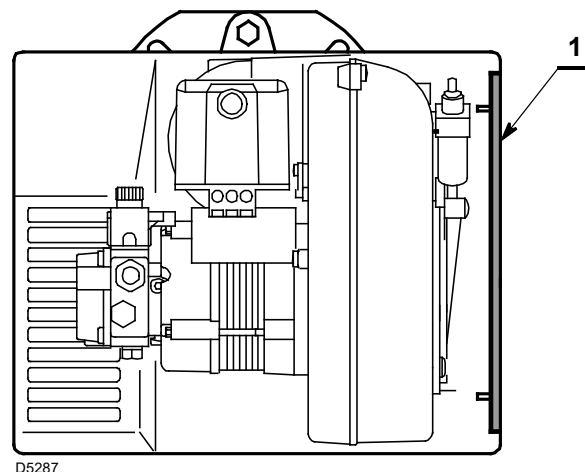


Fig. 22

8.7 Réglage de l'électrode



ATTENTION

La position des électrodes ne peut pas être réglée. En cas de panne, vérifiez que les mesures, telles qu'indiquées sur la figure, sont respectées.

Avant d'enlever ou d'assembler le gicleur, desserrez la vis A) (Fig. 23) et déplacez les électrodes en avant.

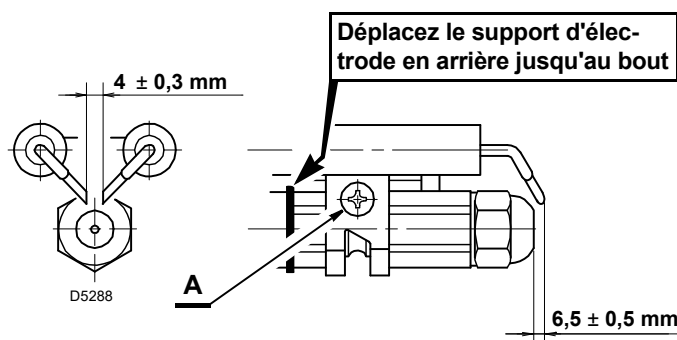


Fig. 23

8.8 Démarrage du brûleur

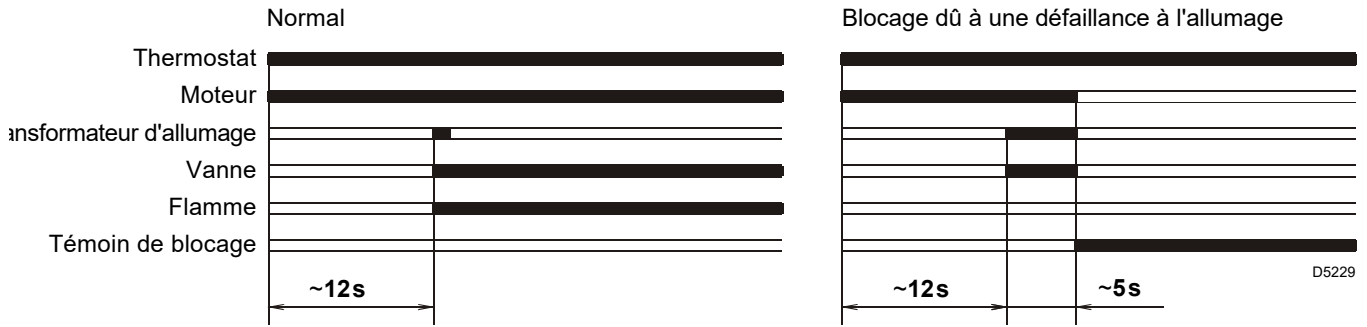


Fig. 24

8.9 Ajustements, pour éviter le décollement de flamme, au démarrage du brûleur (uniquement pour fioul domestique)

POSITIONNEMENT CORRECT DES ÉLECTRODES

Se référer à la Fig. 23 à la page 21.

RÉGLAGE DE LA POMPE

Quand la température du fioul domestique diminue en deçà de +5 °C, augmentez la pression à 14 bar.

GICLEUR: ANGLE DE VAPORISATION

Choisissez un gicleur à 60°.

RÉGLAGE DE LA TÊTE DE COMBUSTION

Régalez le point de consigne de la tête de combustion au-delà de ce qui est indiqué dans les instructions.

Exemple: les instructions requièrent de régler la tête de combustion au point de consigne 3,5. Le réglage est effectué au point de consigne 4,5.

RÉGLAGE VENTILATEUR - VOLET D'AIR

Régalez le volet, en réduisant l'air en excès jusqu'à ce que le chiffre de Bacharach ne soit pas proche de 1. (à savoir une combustion avec le moins possible d'air en excès).

9 Entretien

9.1 Notes sur la sécurité pour l'entretien

L'entretien régulier est essentiel pour assurer le fonctionnement, la sécurité et le rendement du brûleur ainsi que pour prolonger sa durée de vie.

Cela permet de réduire la consommation et les émissions polluantes et de garantir la fiabilité du produit aussi longtemps que possible.



L'entretien et le réglage du brûleur ne doivent être réalisés que par du personnel qualifié et autorisé, en conformité avec les contenus de ce manuel et les normes et réglementations en vigueur.

Avant de réaliser les opérations d'entretien, de nettoyage ou de contrôle:



couper l'alimentation électrique du brûleur grâce à l'interrupteur principal du système;



isoler l'alimentation en combustible.

9.2 Programme d'entretien

9.2.1 Fréquence d'entretien

Le système de combustion doit être contrôlé au moins une fois par an par un représentant du fabricant ou par un autre technicien spécialisé.

9.2.2 Position d'entretien

L'accès à la tête de combustion, à l'accroche flamme / aux électrodes et au gicleur (Fig. 25)

- Enlevez le brûleur de la chaudière, après avoir desserré l'écrou de fixation à la bride.
- Accrochez le brûleur à la bride 1), en enlevant la tête de combustion 2) après avoir desserré les vis de fixation 3).
- Enlevez le support de l'accroche flamme 9) du support de gicleur 8) après avoir desserré sa vis de fixation.
- Vissez le gicleur 10).

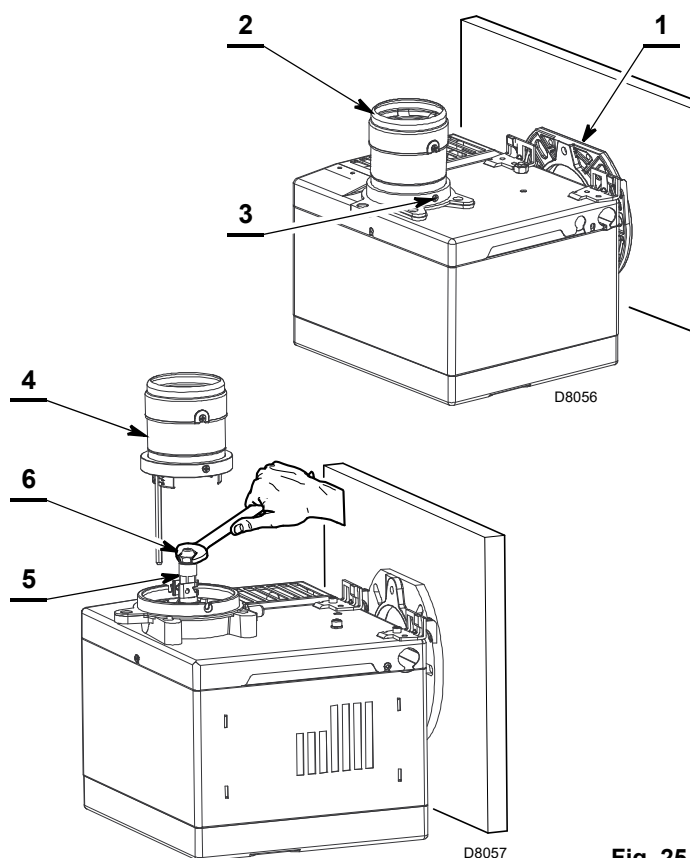


Fig. 25

9.2.3 Contrôle et nettoyage

Tête de combustion

Ouvrir le brûleur et vérifier si tous les composants de la tête de combustion sont en bon état, exempts de déformations provoquées par des températures élevées, libres d'impuretés provenant des alentours et bien placés.

Nettoyez la tête de combustion dans la zone de sortie du combustible sur l'accroche flamme.

Brûleur

Vérifiez l'usure anormale ou les vis desserrées et nettoyez l'extérieur du brûleur.

Ventilateur

S'assurer qu'il n'y ait pas de poussières accumulées à l'intérieur du ventilateur ou sur ses aubes, car cela pourrait réduire le débit d'air et provoquer une combustion polluante.

Capteur flamme

Nettoyez le capteur flamme.

Électrodes

Vérifiez la position correcte des électrodes.

Gicleurs

Il est recommandé de remplacer les gicleurs une fois par an à l'occasion des opérations d'entretien normales.

Ne pas nettoyer les ouvertures du gicleur; ne pas les ouvrir.

Filtres

Vérifier les paniers de filtration du tube et du gicleur du système. Nettoyer et, le cas échéant, remplacer.

Si des traces de rouille ou d'autres impuretés se trouvent à l'intérieur de la pompe, utiliser une autre pompe pour faire monter l'eau ou d'autres impuretés qui se sont déposées sur le fond du réservoir.

Pompe

La pression de débit doit correspondre au tableau Tab. E à la page 19. Veuillez vérifier que le tuyau d'alimentation et les filtres sont dénués d'impuretés. L'utilisation d'un vacuomètre de pompe vous y aidera. Cette mesure permet d'établir la cause de l'anomalie soit dans le tube d'aspiration soit dans la pompe.

Si le problème se situe dans le tube d'aspiration, vérifier si le filtre est propre et s'il n'y a pas d'air entrant dans le tube.

Conduites

- Contrôler périodiquement l'état des tuyaux flexibles. Ils sont à remplacer au moins **tous les 2 ans**.
- En cas d'utilisation de mélanges de fioul domestique et de biocombustibles, il est fortement recommandé d'inspecter **encore plus fréquemment** les tuyaux et de les remplacer lorsqu'une contamination a eu lieu.
- Vérifiez pour vous assurer que les tuyaux sont toujours en bon état.



ATTENTION

En cas d'utilisation avec un fioul domestique contenant jusqu'à 10% de mélange bio, il sera essentiel d'utiliser des conduites d'huile flexibles adaptées pour une utilisation avec un biocombustible.

Merci de contacter Riello pour plus d'informations.

Réservoir de combustible

Si de l'eau est présente dans le réservoir de combustible ou que ce dernier est contaminé, il est essentiel de pourvoir au retrait de l'eau ou de la contamination avant l'utilisation de l'équipement. Cela est extrêmement important en cas d'utilisation de gasoil contenant du biocarburant. En cas de doute en rapport à l'exécution de cette procédure, contacter le fournisseur de combustible ou du réservoir de combustible.

Chaudière

Nettoyer la chaudière comme indiqué dans les instructions ci-jointes afin de préserver les caractéristiques de combustion originales, en particulier les températures des fumées et la pression de la chambre de combustion.

Combustion

Au cas où les valeurs de combustion trouvées au début de l'intervention ne respecteraient pas les normes en vigueur ou, en tous cas, ne correspondent pas à une combustion appropriée, contacter le service après-vente et faites-lui effectuer les réglages nécessaires.

Laissez le brûleur fonctionner pendant 10 minutes, puis vérifiez les relevés de combustion avec les paramètres indiqués dans le manuel d'instructions de l'appareil. **Effectuer un contrôle de la combustion pour vérifier:**

- La température de la fumée dans la cheminée;
- Teneur en CO₂ (%);
- Le contenu de CO (ppm);
- La valeur de la fumée selon l'indice d'opacité des fumées de l'échelle Bacharach.

10 Pannes/solutions

Voici quelques causes d'anomalie et les solutions possibles à certains problèmes qui pourraient empêcher le démarrage du brûleur ou provoquer un mauvais fonctionnement de celui-ci.

Une panne provoque habituellement l'allumage du témoin de blocage qui est situé à l'intérieur du bouton de déblocage de la boîte de contrôle 8)(Fig. 1 à la page 8).

Lorsque le témoin de blocage s'allume, le brûleur n'essaiera de s'allumer qu'après avoir pressé le bouton de déblocage. Si après cela, le brûleur fonctionne correctement, la cause du blocage peut être attribuée à une panne temporaire.

Si le blocage continue, il sera nécessaire d'établir la cause de la panne et d'y trouver une solution.

ANOMALIES	POSSIBLES CAUSES	SOLUTION
Le brûleur ne se mettra pas en marche lorsque le thermostat limite s'éteint.	Manque d'alimentation électrique.	Contrôler que les bornes L - N du coffret de sécurité aient de la tension. Contrôler l'état des fusibles.
	Le capteur flamme voit une fausse lumière.	S'assurer que le thermostat limite de sécurité ne soit pas bloqué. Éliminer la lumière.
	Les connexions du coffret de sécurité sont mal introduites.	Contrôler et connecter complètement toutes les fiches.
	Le capteur flamme est sale.	Nettoyez-la.
Le brûleur fonctionne normalement pendant le cycle de pré-ventilation et d'allumage et se bloque après 5 s environ.	Le capteur flamme est défectueux.	La remplacer.
	La flamme se déplace ou n'apparaît pas.	Contrôler la pression et le débit du combustible. Contrôler le débit d'air. Remplacer le gicleur.
	Les électrodes d'allumage sont mal placées.	Contrôler la bobine de l'électrovanne. Les placer selon les instructions de ce manuel.
	Le débit d'air est trop élevé.	Régler le débit d'air.
Le brûleur démarre avec un retard d'allumage.	Le gicleur est sale ou usé.	Le remplacer.



ATTENTION

Le fabricant décline toute responsabilité pour des dommages à des personnes, des animaux ou des biens causés par une installation défectueuse ou un mauvais réglage du brûleur, par l'utilisation inappropriée ou déraisonnable, par le non-respect des instructions techniques accompagnant le brûleur ou par l'intervention de personnel non qualifié.

RIELLO

RIELLO S.p.A.
I-37045 Legnago (VR)
Tél.: +39.0442.630111
[http:// www.riello.it](http://www.riello.it)
[http:// www.riello.com](http://www.riello.com)